


| | | |
|--|---|---------------------------------|
|  | MODEL NUMBER: PD251-028 Bottom DVD Mount for 42" LED TV | Document Number: PD196-279R4 |
| | Installation Instructions | Page 1 of 2 |

Scope:

To install a bottom mount DVD bracket to a 42" wall mounted LED TV using a PD168-033 bracket kit (not included)

Tool List:

1. Safety glasses/goggles
2. P1 or P2 Phillips screwdriver

Safety Steps:

1. Always wear safety glasses/goggles to prevent injury from debris.
2. Follow the installation/removal instructions for your existing products.

Supplied Parts:

| ITEM | QTY | PART NUMBER | DESCRIPTION |
|------|-----|---------------|------------------------|
| 1 | 1 | PD181-770 | DVD Module Bracket |
| 2 | 1 | PDISEMSM3X55 | M3-.5X5mm Screws |
| 3 | 1 | PD181-771 | Adapter Bracket |
| 4 | 2 | PDIPPHMSM4X76 | M4-.7X6mm Screws |
| 5 | 1 | PD106-776R | 15 to 26 pin 36" cable |

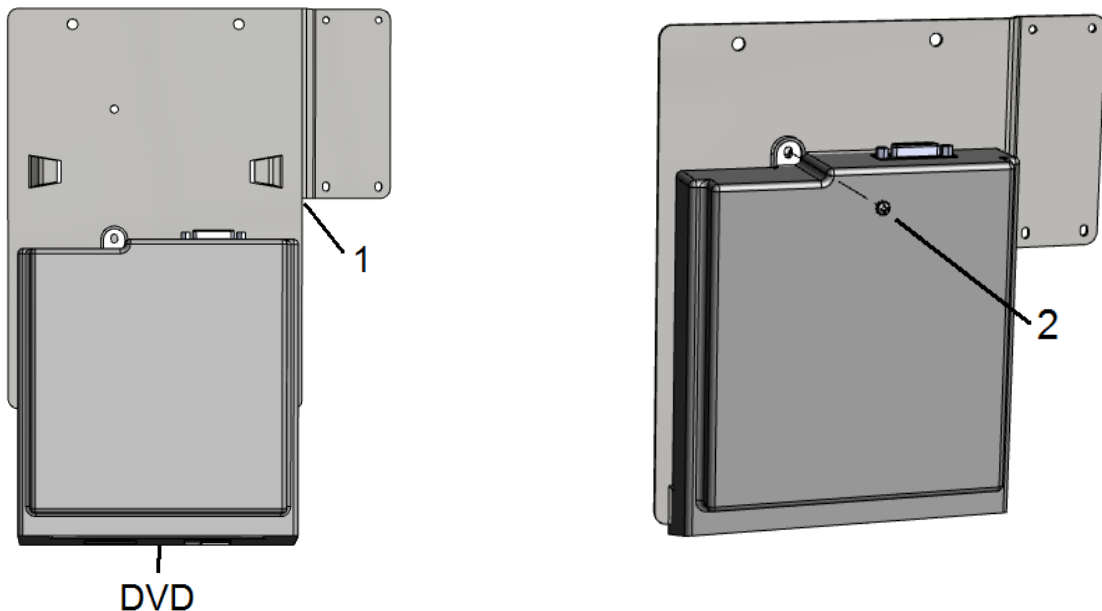
Procedure:



This bracket is a new design. The DVD player must be securely attached to the bracket before attaching the bracket to the TV assembly. The DVD player will fall if not secured.

Step 1:

Slide DVD player (purchased separately) through tabs on DVD mounting bracket PD181-770 (1) as shown. Secure with PDISEMSM3X55 screw (2).

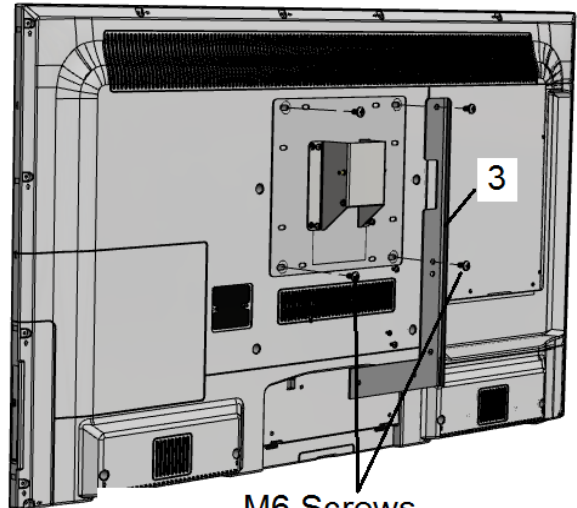


Step 2:

Follow instructions supplied with wall mount kit to point of attaching plate to TV. Using M6 screws supplied with that kit, attach left side of plate to TV.

Place PD181-771 adapter bracket (3) to back of television on right side of plate and install the remaining two M6 screws, through the bracket and the mount, and into the TV.

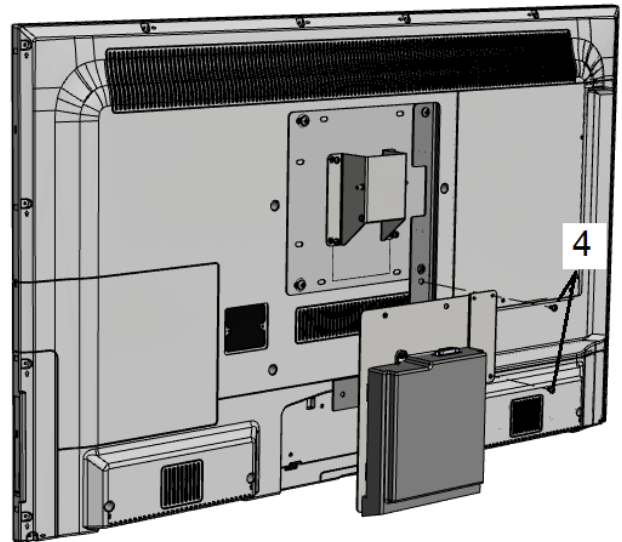
Tighten all four M6 mounting screws.



M6 Screws
(Supplied with Wall Mount Kit)

Step 3:

Attach DVD/mounting bracket assembly to PD181-771 bracket using two PDIPPHMSM4X76 screws (4) as shown.

**Step 4:**

Make connections with cable PD106-776R (5) from DVD module to television.

Mount TV to wall using installation instructions for your specific product.

