	MODEL NUMBER: PD251-026 Bottom Mount DVD Kit For 29" and 32" LED TV	Document Number: PD196-280R4
	Installation Instructions	Page 1 of 2

SCOPE:

To install a bottom mount DVD bracket to a 29" or 32" wall mounted LED TV using a PDI wall mount kit (not included).

TOOL LIST:

1. Safety glasses/goggles
2. P1 or P2 Phillips screwdriver

SAFETY STEPS:

1. Always wear safety glasses/goggles to prevent injury from debris.
2. Follow the installation/removal instructions for your existing products.

SUPPLIED PARTS:

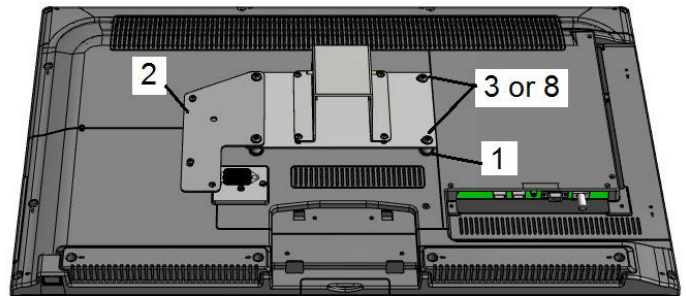
ITEM	QTY	PART NUMBER	DESCRIPTION
1	4	PD242-658	NYLON SPACER
2	1	PD181-773	ADAPTER BRACKET
3	4	PDIPPHMSM6X125	M6-1X25MM SCREWS FOR 32" TV
4	1	PD181-770	DVD MODULE BRACKET
5	1	PDISEMSM3X55	M3-.5X5MM SCREWS
6	2	PDIPPHMSM4X76	M4-.7X6MM SCREWS
7	1	PD106-776R	15 TO 26 PIN 36"
8	4	PDIPPHMSM5X825	M5-.8X25MM SCREWS FOR 29" TV

Note: Items 3 or 8 will be used according to size of TV

PROCEDURE:

STEP 1:

Attach the wall mounting plate (from separately purchased kit) to the TV placing four PD242-658 spacers (1) between plate and TV. Secure with two PDIPPHMSM6X125 (3) or PDIPPHMSM5X825 (8) screws on the right side. See chart for appropriate sizes.



STEP 2:

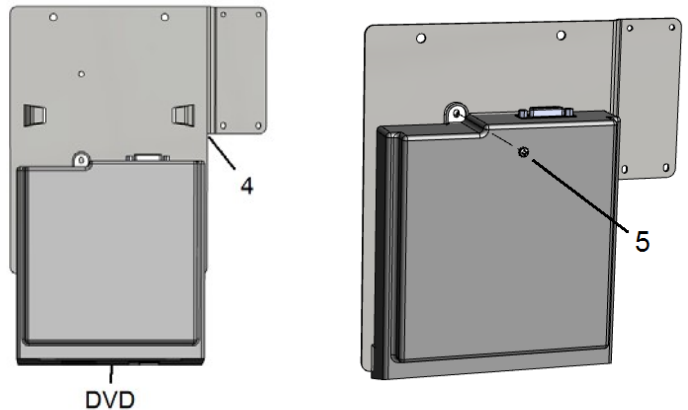
Position PD181-773 DVD ADAPTER bracket (2) over mounting plate and spacers on left side and attach with remaining two screws as pictured. Tighten all four PDIPPHMSM6X125 (32" TV) or PDIPPHMSM5X825 (29" TV) mounting screws.

STEP 3:



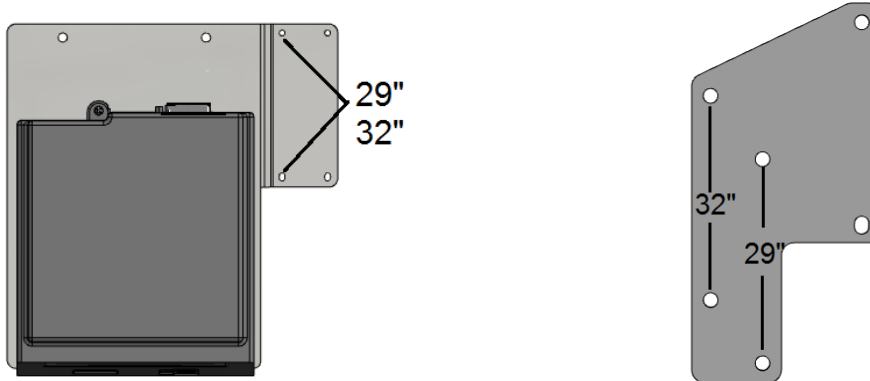
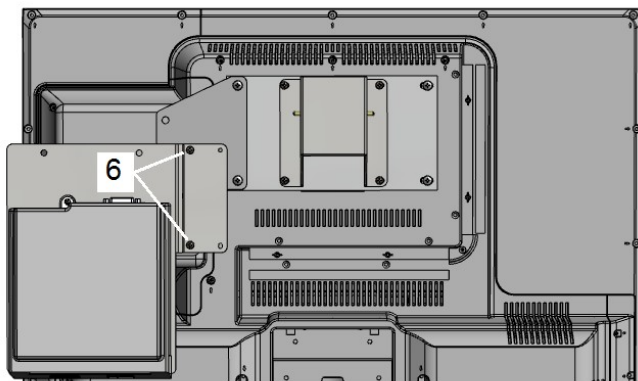
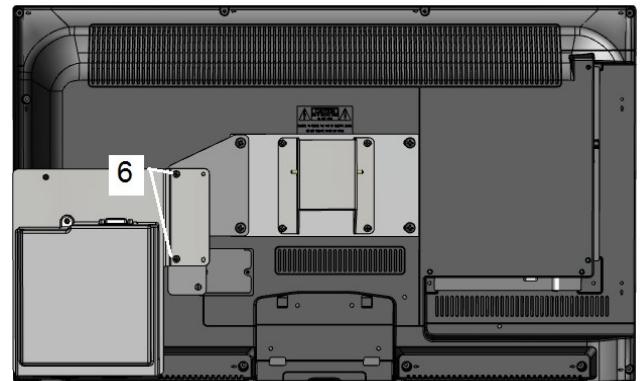
This bracket is a new design. The DVD player must be securely attached to the bracket before attaching the bracket to the TV assembly. The DVD player will fall if screw is not secured.

Slide DVD player (purchased separately) through tabs on DVD mounting bracket PD181-770 (4) as shown. Secure with PDISEMSM3X55 screw (5).



STEP 4:

Attach DVD/mounting bracket assembly to center set of adapter bracket holes for 29" and outside set of holes for 32" TV's using two PDIPPHMSM4X76 screws (6) as shown.

**29" TV****32" TV****STEP 5:**

Make connections with cable PD106-776R (7) from DVD module to television. Mount TV to wall using installation instructions for your specific product.

