	MODEL NUMBER: PD181-772	Document Number: PD196-291R1
	Conversion Instructions	Page 1 of 2

SCOPE:

To change a PD181-772 articulating wall mount to a 200mm VESA mount.

TOOL:

Allen key (provided with PD181-772 mount kit)

SAFETY STEPS

Always wear safety glasses/goggles to prevent injury from debris.
Follow the installation/removal instructions for your existing products.

PROCEDURE:

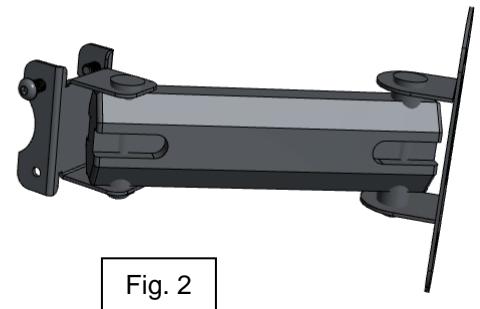
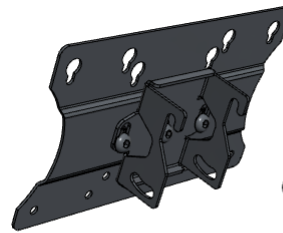
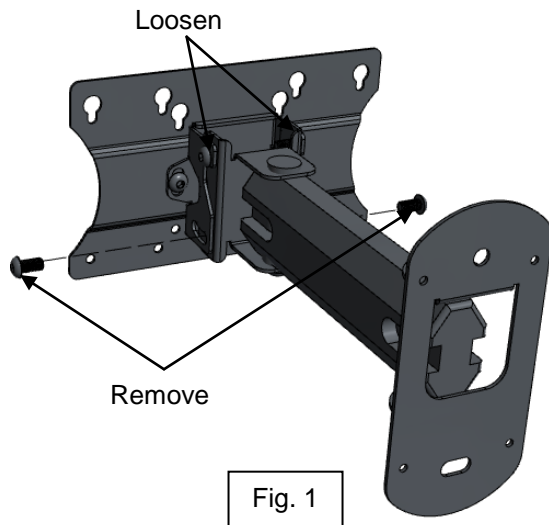
STEP 1:

Remove the (2) bottom side screws and loosen the top (2) side screws as shown (Fig. 1)

NOTE: Set aside screws for later use.

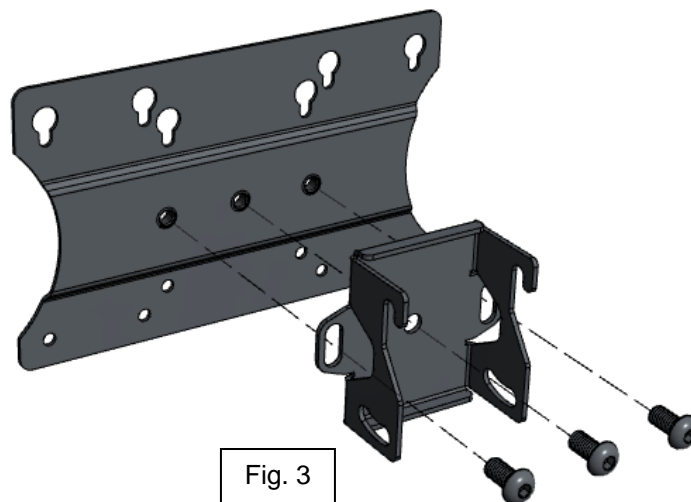
STEP 2:


Tilt existing bracket up to unhook and remove (Fig. 2)



STEP 3:

Separate plate and bracket by removing (3) screws from bracket. Save screws to reuse. (Fig. 3)



	MODEL NUMBER: PD181-772	Document Number: PD196-291R1
	Conversion Instructions	Page 2 of 2

STEP 4:

Bolt new plate (PD181-776) to bracket using screws from previous step. (Fig 4)

NOTE: Make sure bracket hooks and plate keyholes are both on top position

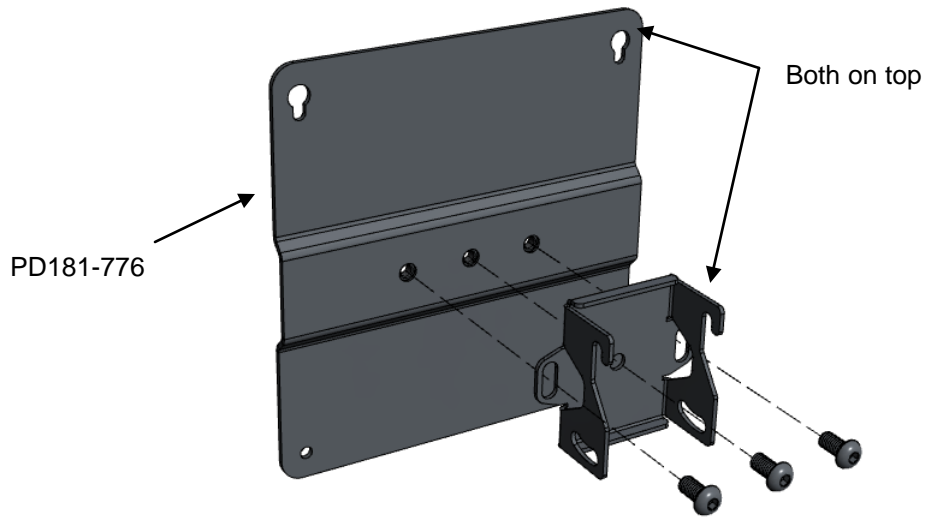


Fig. 4

STEP 5:

Hook bracket to top (2) screws and reinsert bottom screws saved from step 1. (Fig 5)

Tighten top screws.

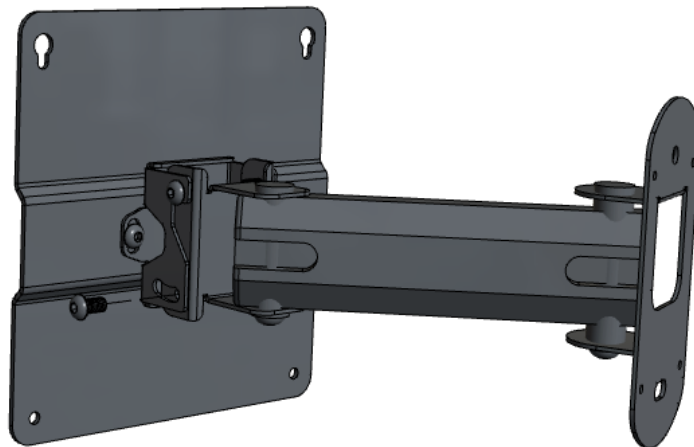


Fig. 5