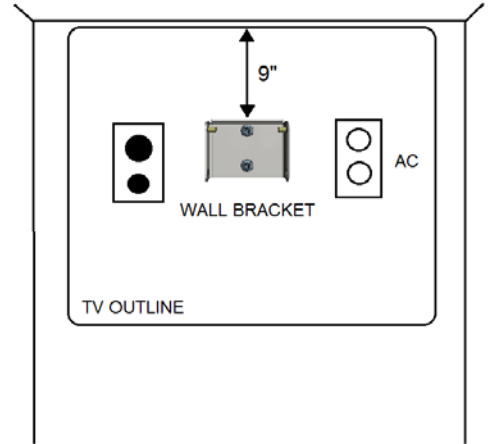


SCOPE:
TO INSTALL A TV USING A PD168-009 WALL MOUNT KIT

PROCEDURE:

1. SELECT A LOCATION ON THE WALL APPROXIMATELY 9 INCHES BELOW THE CEILING. POSITION THE CLEVIS (1) AND LOCATE TWO MOUNTING HOLES. SECURE THE BRACKET TO THE WALL (MOUNTING HARDWARE IS NOT INCLUDED).
2. POSITION THE BACK MOUNT (2) ON THE LCD TV CABINET. ATTACH WITH FOUR M4 SCREWS (4) PROVIDED.
3. MATE THE BACK MOUNT TO THE WALL BRACKET MAKING SURE THE PIVOT BOLTS ARE RETAINED IN THE "L" SHAPED SLOT. SECURE WITH TWO PILFER SCREWS.
4. IF THE SET REQUIRES A DC POWER PACK, SLIDE THE POWER PACK INTO THE METAL HOLSTER (USE THE OPTIONAL PD181-651 PURCHASED SEPARATELY). CONNECT THE DC POWER PLUG INTO THE "DC" CONNECTOR ON THE BACK OF THE TV. CONNECT THE AC LINE CORD.
5. THE TV'S TILT CAN BE ADJUSTED BY LOOSENING BOTH PIFER SCREWS (4) WITH TAMPER RESISTANT BIT, ADJUSTING TILT, AND THEN TIGHTENING.

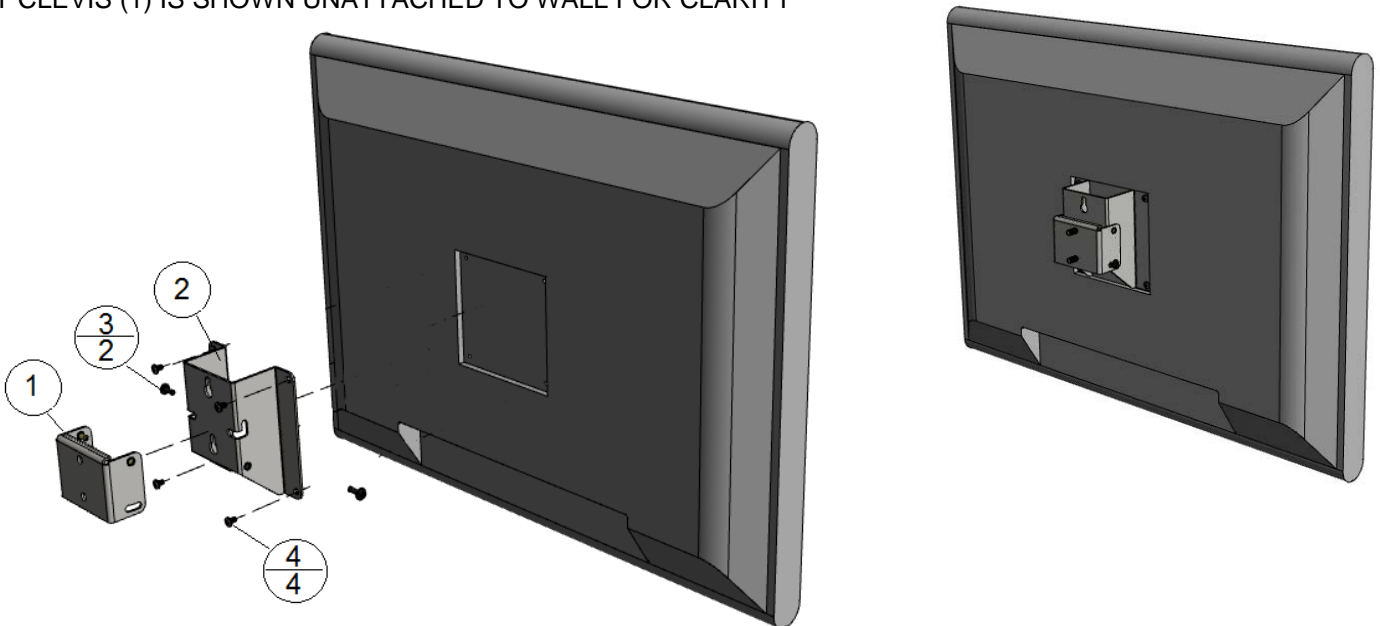


*DRAWINGS DISPLAY BRACKETS MOUNTED ON A 100MM VESA COMPLIANT TV FOR REFERENCE PURPOSES.

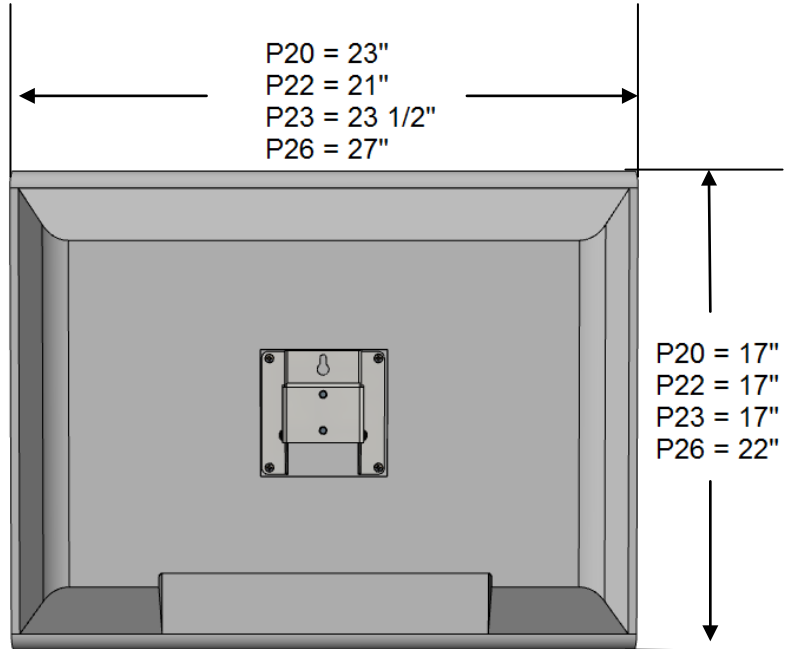
PARTS LIST

ITEM	PART NUMBER	DESCRIPTION	QTY
1	PD181-630	TILT CLEVIS	1
2	PD181-623	MOUNTING BRACKET	1
3	PDIPPBHSCS103250	PILFER PROOF SCREW	2
4	PDIPPHMSM4X76	M4 PHILLIPS SCREW	4
5	PD219-020	TAMPER RESISTANT HEX BIT	1

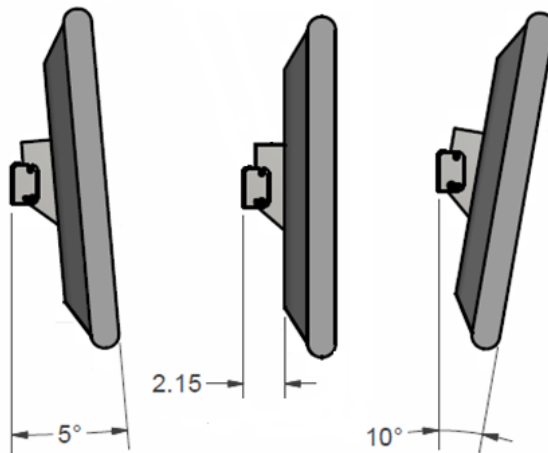
*TILT CLEVIS (1) IS SHOWN UNATTACHED TO WALL FOR CLARITY



- THESE BRACKETS HAVE A STANDARD 100MM VESA PATTERN AND WILL WORK WITH PDI-LCD TV'S AS WELL AS OTHER SETS THAT HAVE A 100 VESA MOUNTING PATTERN FOR USE WITH M4 SCREWS.



PD168-009



PD181-630

