	MODEL NUMBER: PD168-217 P14 Grab Bar Kit	Document Number: PD196-302R1
	INSTALLATION INSTRUCTIONS	Page 1 of 3

Scope:

To install a PDi Grab Bar to a PDI-P14 series television.

Parts List:

QTY	PART NUMBER	DESCRIPTION
1		GRAB BAR
1	PD181-790	LEFT BRACKET
1	PD181-791	RIGHT BRACKET
4	PDIPPHMSM4X710	PHILLIPS PAN HEAD SCREW
2	PDIPPHMS83250	PHILLIPS PAN HEAD SCREW
2	PDINILN832	NYLOC NUTS
1	PDIIHC8M8X12565	HEX CAP SCREW
1	PDINILNM8	NYLOC NUT
1	DRILL BIT	0.172 DIAMETER

Tool List:

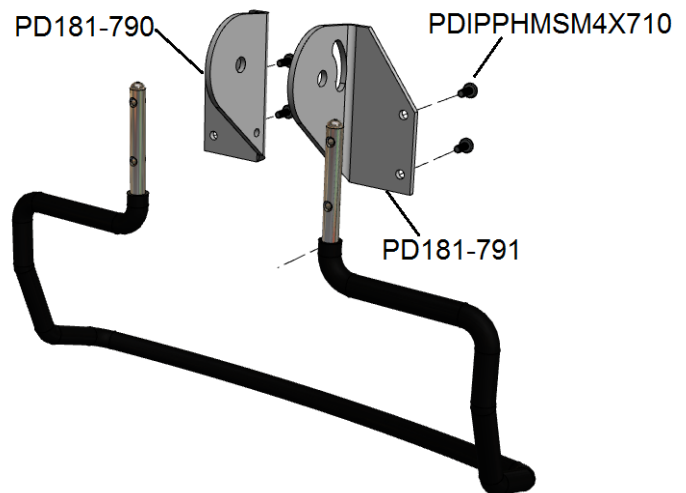
- | | |
|------------------------------|--------------------|
| 1. Safety glasses/goggles | 4. Crescent wrench |
| 2. Flat head screwdriver | 5. Nut driver |
| 3. Phillips head screwdriver | 6. Drill |

Safety Steps:

1. Always wear safety glasses/goggles to prevent injury from debris.
2. Follow the installation/removal instructions for your existing products.

Step 1: Attaching Bar to Brackets

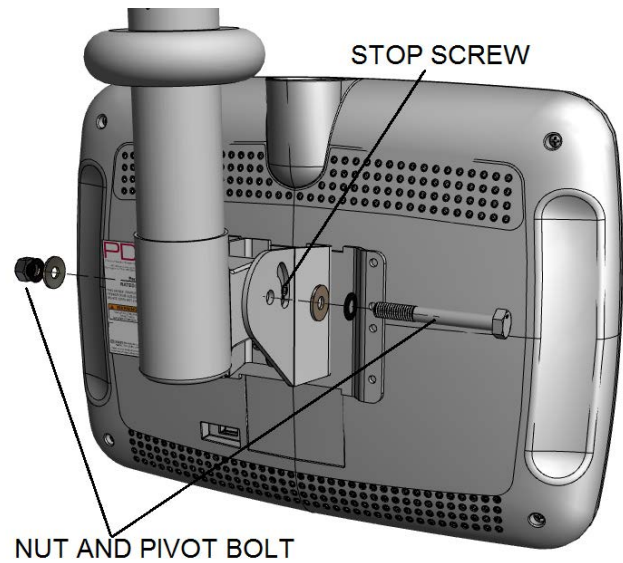
Attach grab bar to brackets PD181-790 and PD181-791 with (4) PDIPPHMSM4X710 screws as shown.



Step 2: Removing Existing Bracket Procedure:

Remove the nut and pivot bolt holding the TV to the arm. Save washers from existing installation to reuse.

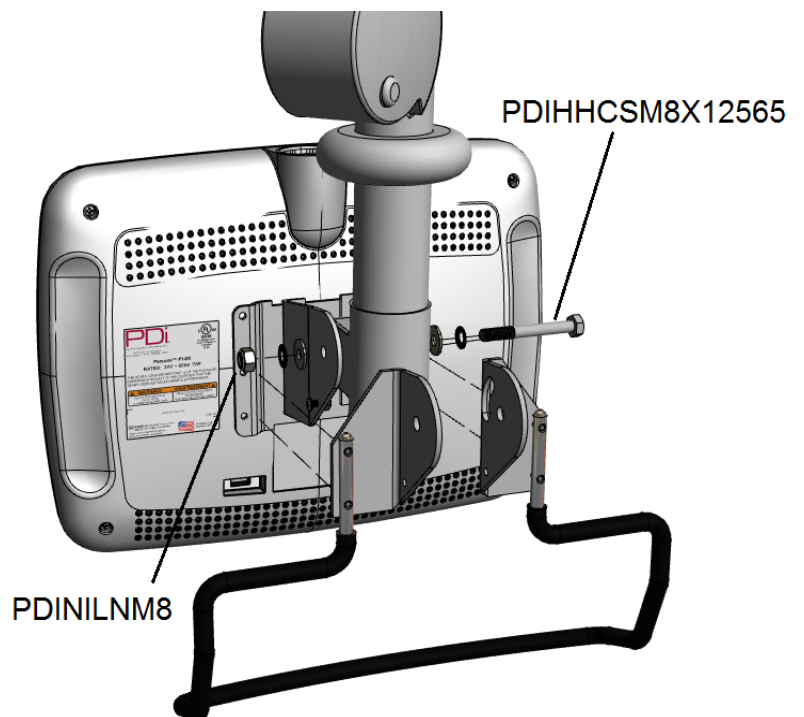
***Do Not** remove the stop screw.




Step 3: Attaching New Grab Bar Assembly

Place grab bar assembly to TV brackets. Secure with (1) PDIHHCSM8X12565 hex cap screw and (1) PDINILNM8 nyloc nut included in this kit. Reuse washers from Step 2 in order shown.

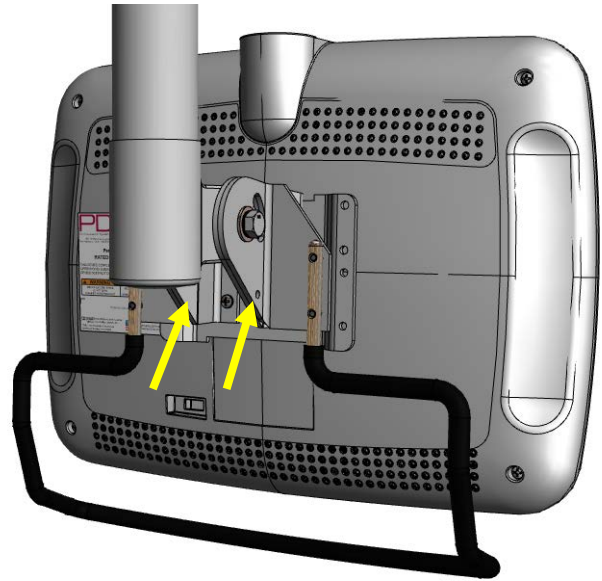
Align the edges of the new bracket with the old brackets and tighten the M8 bolt.



	MODEL NUMBER: PD168-217 P14 Grab Bar Kit	Document Number: PD196-302R1
	INSTALLATION INSTRUCTIONS	Page 3 of 3

Step 4: Drilling Through Bracket

Using the drill bit included in this kit, drill through the PD181-790 and PD181-791 bracket holes shown and into the interior bracket on both sides.



Step 5: Final Assembly

Secure the bar assembly to the TV bracket using the (2) PDIPPHMS83250 screws and (2) PDINILN832 nyloc nuts, going through the holes made in Step 4.

