

	MODEL NUMBER: <b>PD242-010 TENNONED SPACER</b>	Document Number: PD196-303R1
	<b>INSTALLATION INSTRUCTIONS</b>	Page 1 of 2

**SCOPE:**

To install a PD242-010 tennoned spacer to use with a PDI-179C wall bracket.

**PARTS LIST:**

ITEM	PART NUMBER	DESCRIPTION	QTY
1	PD242-010	TENNONED SPACER	4
2	PDIFW25	1/4" FLAT WASHER	4
3	PDIBHSCS2520125	1/4 -20 X 1-1/4 BUTTON HEAD SCREW	4

**TOOL LIST:**

1. Safety glasses/goggles
2. Drill and bit for screws.

**SAFETY STEPS:**

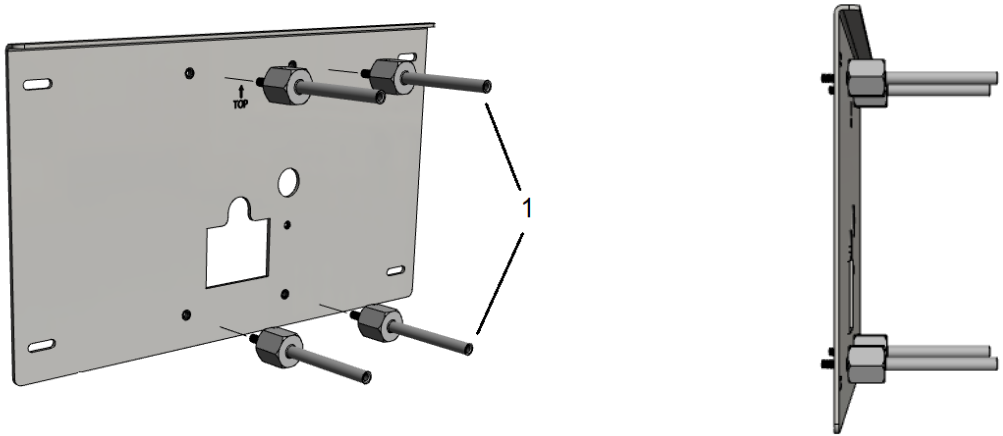
1. Always wear safety glasses/goggles to prevent injury from debris.
2. Follow the installation/removal instructions for your existing products.

**PROCEDURE:**

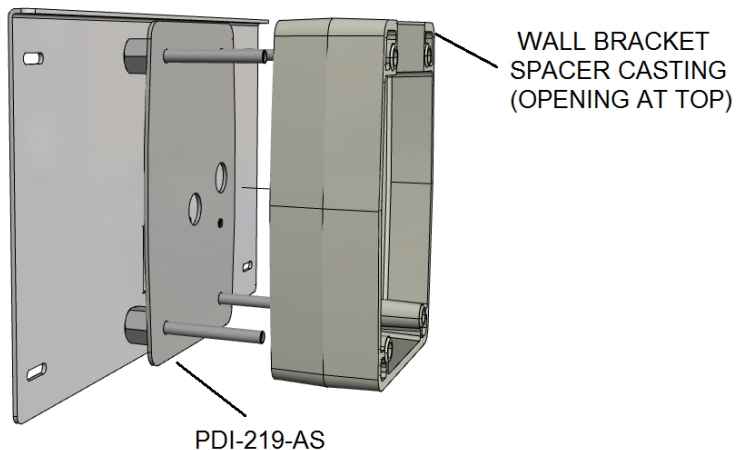
\*This instruction assumes the PDI-255E backer plate has already been installed to the wall.

\*Wall not shown for clarity.

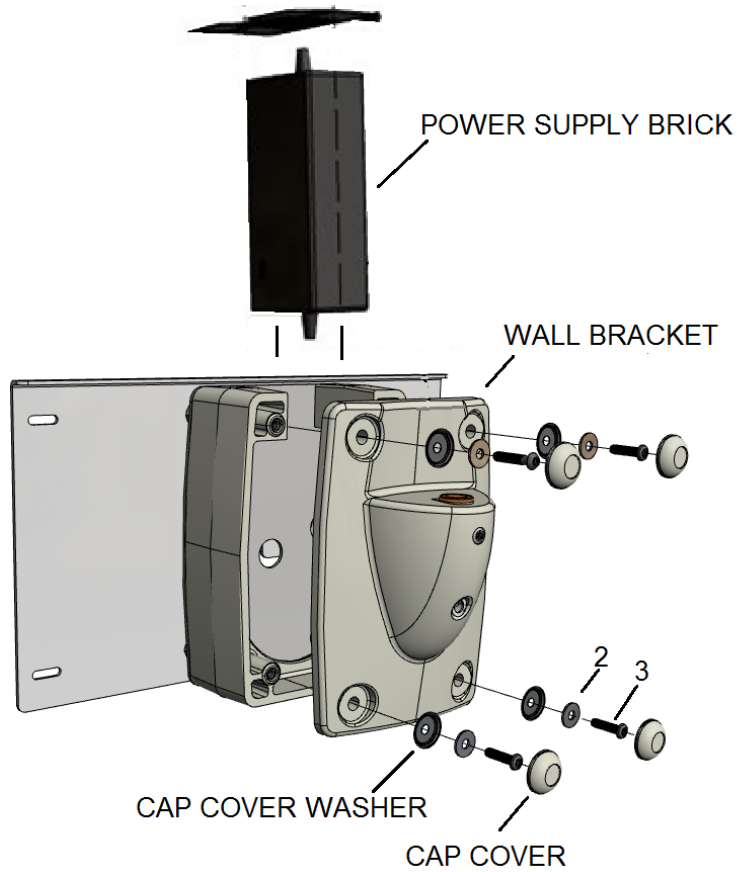
1. Insert PD242-010 spacers by threading securely onto backer plate as shown



2. Install PDI-179C parts (backer plate and extension) onto spacers in order shown with casting opening at the top.



3. Attach PDI-179C wall bracket to extension assembly using PDIFW25 flat washers, PDIBHSCS2520125 screws, and remainder of materials supplied with PDI-179C wall bracket kit.
4. Insert power supply brick to wall bracket extension assembly.

**COVERPLATE**