 <small>Communication Systems, Inc.</small> <i>Better Solutions Are Within Reach®</i>	MODEL NUMBER: <b>PD251-033 Side Mount          DVD Bracket for 24" ELED TV'S</b>	Document Number: PD196-305R1
	Installation Instructions	Page 1 of 2

Scope:

To install a side mount DVD bracket to a 24" wall mounted LED TV using a PD168-103 wall mount kit (Not Included). These mounts may be installed to the left or right side of the TV's

Tool List:

1. Safety glasses/goggles
2. P1 or P2 Phillips screwdriver

Safety Steps:

1. Always wear safety glasses/goggles to prevent injury from debris.
2. Follow the installation/removal instructions for your existing products.

Supplied Parts List:

ITEM	QTY	PART NUMBER	DESCRIPTION
1	1	PD181-774	DVD Mounting Bracket
2	4	PDIPPHMSM4X710	M4X.7X10MM Screws
3	1	PDISEMSM3X55	M3-.5 PPHMS Screw
4	1	PD106-775	15 to 26 pin cable

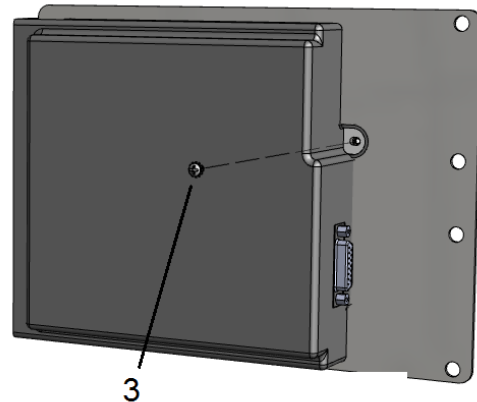
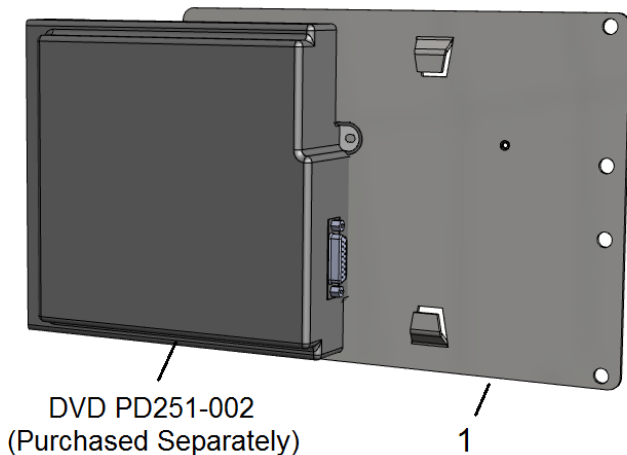
PROCEDURE:




**The DVD player must be securely attached to the bracket before attaching the bracket to the TV assembly. The DVD player will fall if not attached to bracket.**

Step 1:

Slide DVD player (purchased separately) through tabs on DVD mounting bracket PD181-774 (1) as shown. Secure with PDISEMSM3X55 (3) screw.

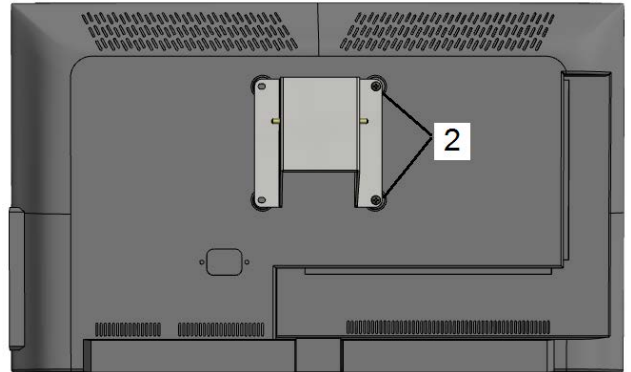


 PDi Communication Systems, Inc. <i>Better Solutions Are Within Reach®</i>	MODEL NUMBER: <b>PD251-033 Side Mount          DVD Bracket for 24" ELED TV'S</b>	Document Number: PD196-305R1
	Installation Instructions	Page 2 of 2

**Step 2:**

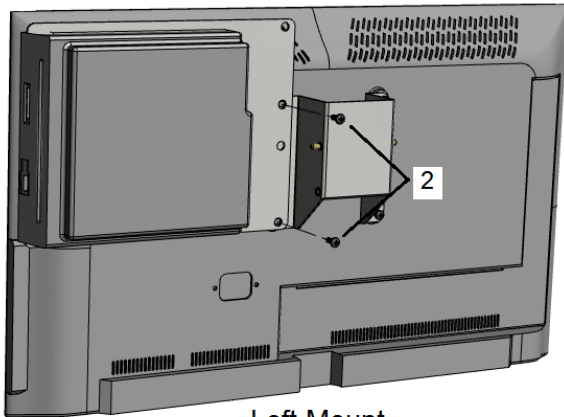
Place mounting bracket PD181-596 (not included) to TV and secure with two PDIPPHMSM4X710 screws (2). (Replacing screws included in PD168-103 kit)

\*Note: This process can be repeated in reverse order left side for right side mounting.

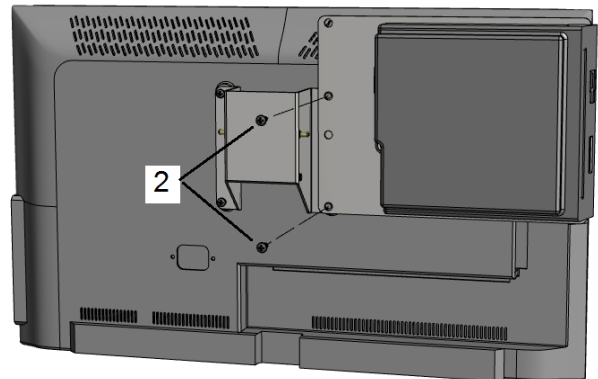


**Step 3:**

Place bracket assembly to left side of PD181-596 bracket and secure with remaining two PDIPPHMSM4X710 screws (2).



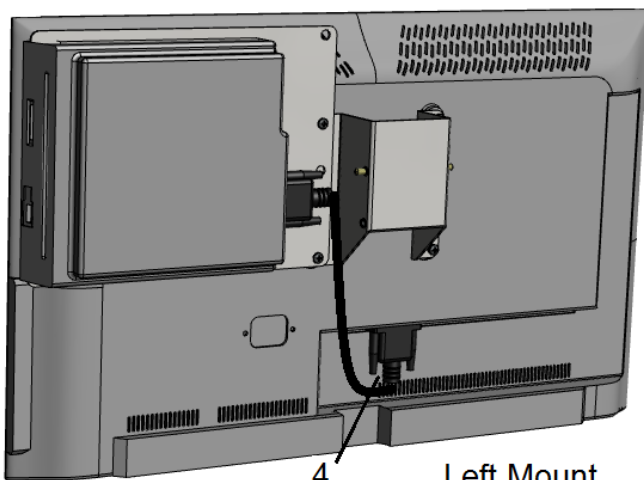
Left Mount



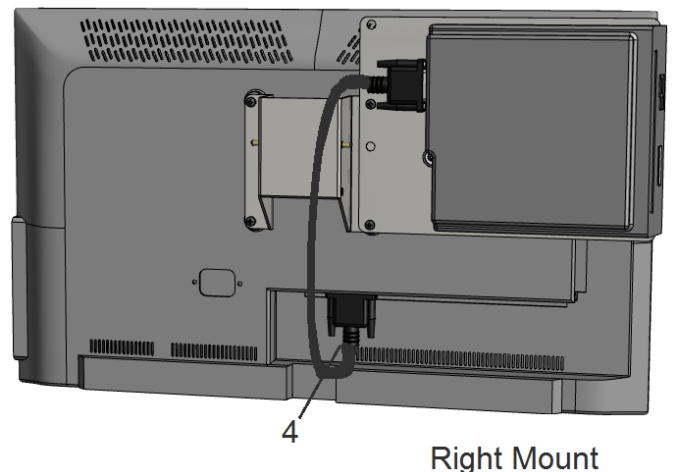
Right Mount

**Step 4:**

Make connections with cable PD106-775 (4) from DVD module to television as shown. Mount TV to wall using installation instructions for your specific product.



Left Mount



Right Mount