

	MODEL NUMBER: PD251-034 Side Mount DVD Bracket for 29" and 32" ELED TV's	Document Number: PD196-306R4
	Installation Instructions	Page 1 of 5

Scope:

To install a side mount DVD bracket to a 29" or 32" wall mounted LED TV using a PD168-051 wall mount kit (Not Included) or a table mounted LED TV. These mounts may be installed to the left or right side of the TV's.

Tool List:

1. Safety glasses/goggles
2. P1 or P2 Phillips screwdriver

Safety Steps:

1. Always wear safety glasses/goggles to prevent injury from debris.
2. Follow the installation/removal instructions for your existing products.

Supplied Parts List:

ITEM	QTY	PART NUMBER	DESCRIPTION
1	1	PD181-774	DVD Mounting Bracket
2	1	PD106-776R	15 to 26 pin cable
3	1	PDISEMSM3X55	M3-.5 PPHMS Screw
4	2	PDIPPHMSM5X810	M5-0.8 x 10mm PPHMS screw
5	2	PDIPPHMSM6X110	M6-1.0 x 10mm PPHMS screw

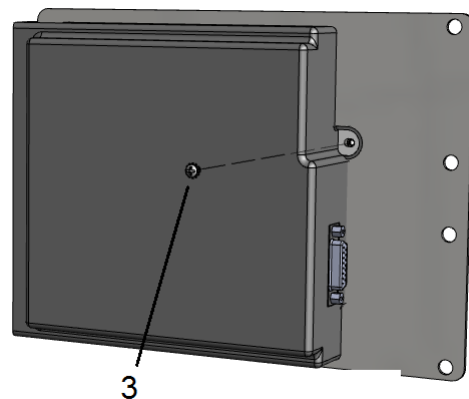
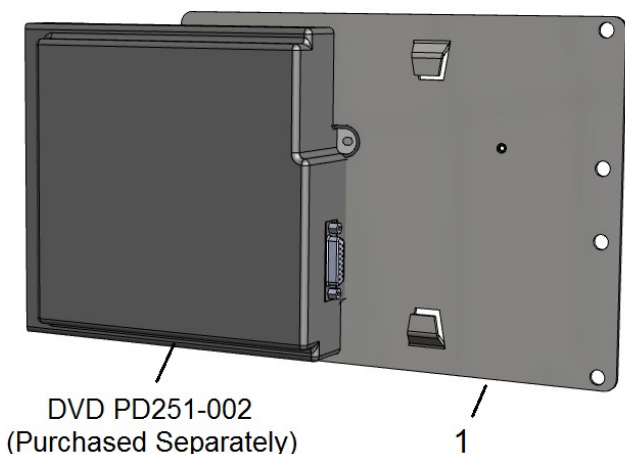
PROCEDURE:



The DVD player must be securely attached to the bracket before attaching the bracket to the TV assembly. The DVD player will fall if not attached to the bracket.

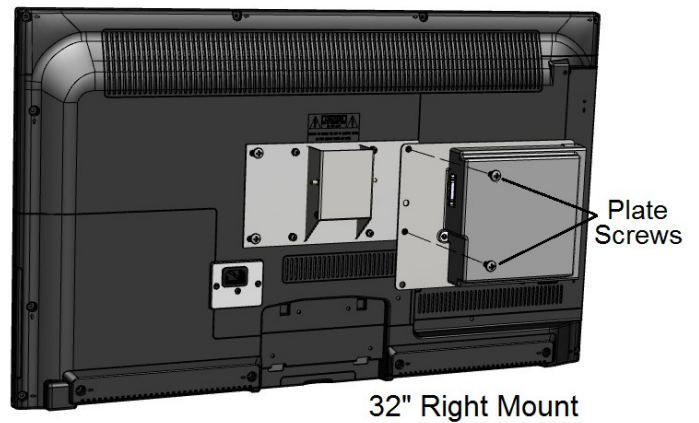
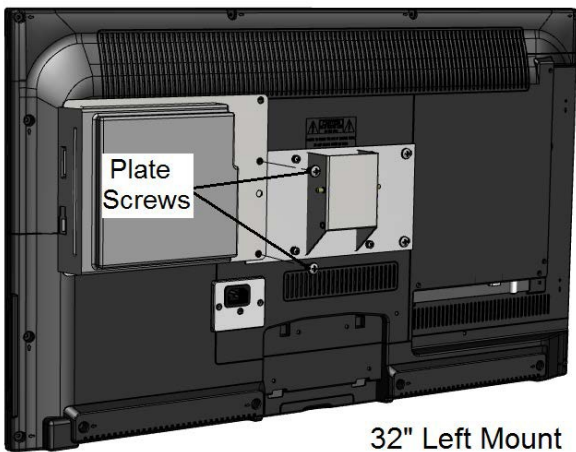
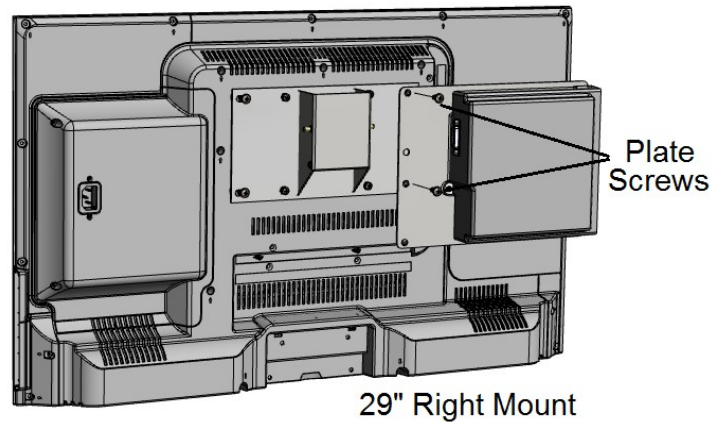
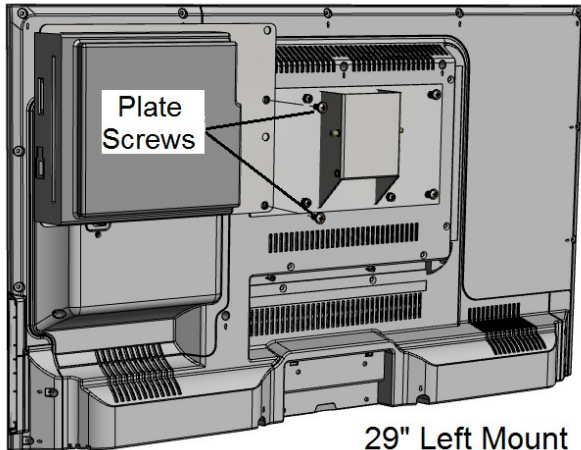
Step 1 Wall and Table Mount:

Slide DVD player (purchased separately) through tabs on DVD mounting bracket PD181-774 (1) as shown. Secure with PDISEMSM3X55 screw (3).



Step 2 Wall Mount:

With installation of PD168-051 bracket kit complete, remove 2 of the 4 screws from the adapter plate and secure the DVD assembly to the TV bracket into the same location using same two PDIPPHMSM5X810 screws for the 29" TV or two PDIPPHMSM6X110 for the 32" TV as shown.





Communication Systems, Inc.
Your Source for Healthcare and
Wellness Infotainment®

MODEL NUMBER:

**PD251-034 Side Mount DVD Bracket
for 29" and 32" ELED TV's**

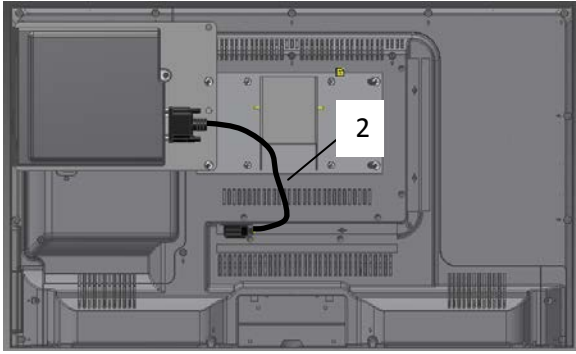
Document Number:
PD196-306R4

Installation Instructions

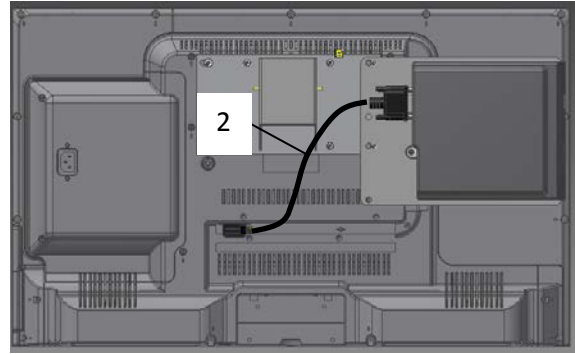
Page 3 of 5

Step 3 Wall Mount:

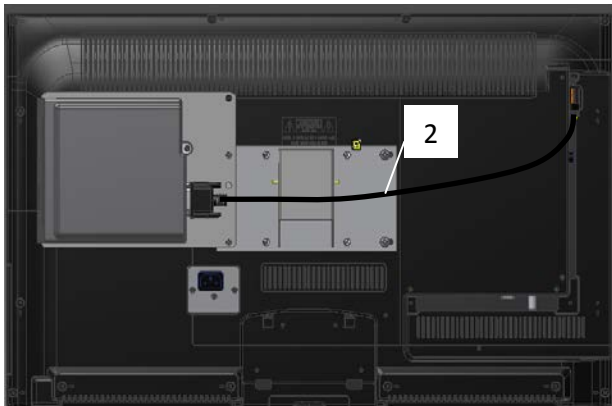
Make connections with cable PD106-776R (2) from DVD module to television as shown.



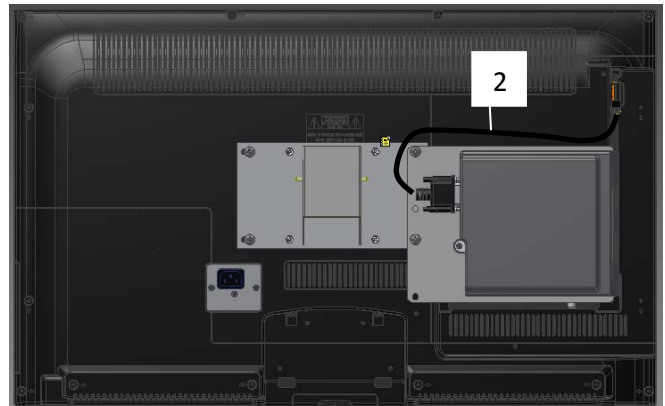
29" Left Mount



29" Right Mount



32" Left Mount



29" Right Mount

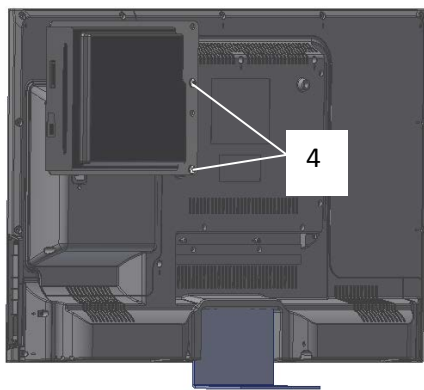
Step 4 Wall Mount:

Mount TV to wall using installation instructions for your specific product.

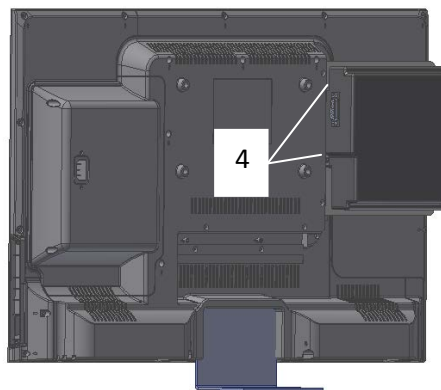


Step 2: Table Mount:

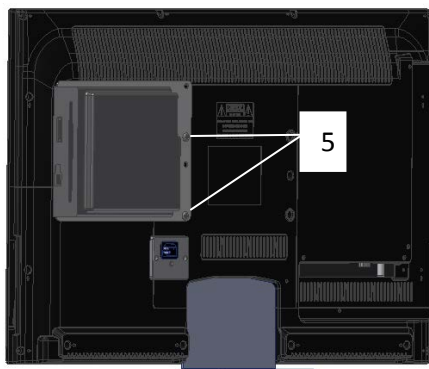
Secure the DVD assembly to the TV using two PDIPPHMSM5X810 (4) screws for the 29" TV or two PDIPPHMSM6X110 (5) for the 32" TV as shown.



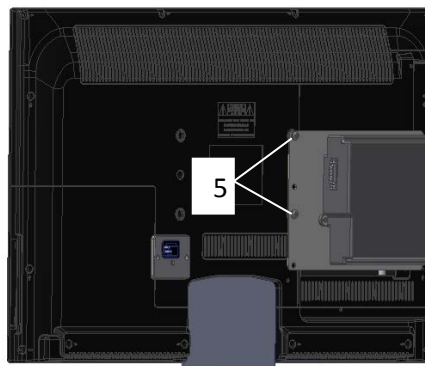
29" Left Mount



29" Right Mount



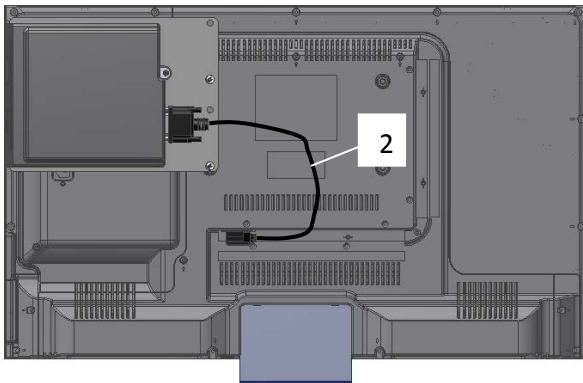
32" Left Mount



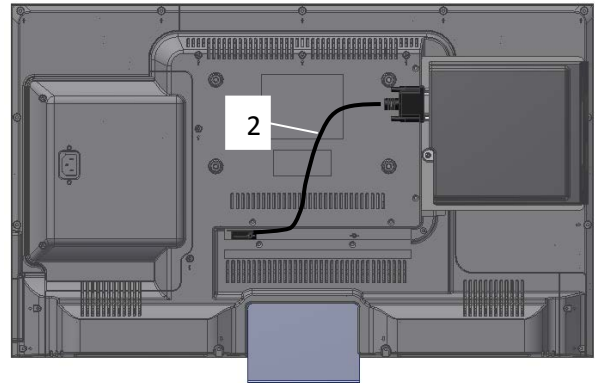
32" Right Mount

Step 3 Table Mount:

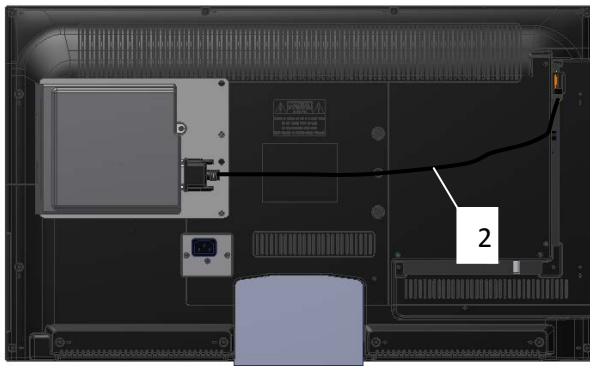
Make connections with cable PD106-776R (2) from DVD module to television as shown.



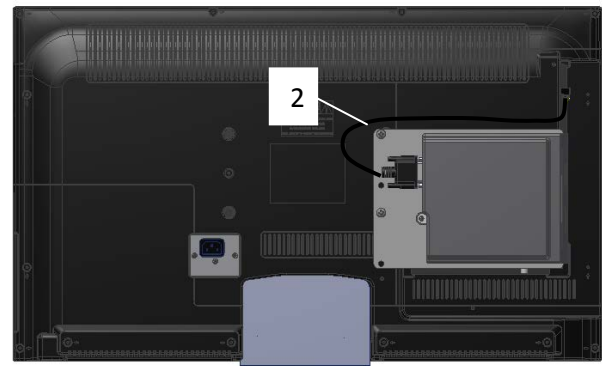
29" Left Mount



29" Right Mount



32" Left Mount



32" Right Mount

Step 4 Table Mount:

Mount the TV using installation instructions for your specific product.

