	MODEL NUMBER: PD251-035 Side Mount DVD Bracket for 42" ELED TV'S	Document Number: PD196-307R3
	Installation Instructions	Page 1 of 3

Scope:

To install a side mount DVD bracket to a 42" wall mounted LED TV using a **PD168-033** wall mount kit (Not Included) or a table mounted LED TV. These mounts may be installed to the left or right side of the TV's.

Tool List:

1. Safety glasses/goggles
2. P1 or P2 Phillips screwdriver

Safety Steps:

1. Always wear safety glasses/goggles to prevent injury from debris.
2. Follow the installation/removal instructions for your existing products.

Supplied Parts List:

ITEM	QTY	PART NUMBER	DESCRIPTION
1	1	PD181-774	Side Mount DVD Bracket
2	1	PD181-771	Adaptor Bracket
3	1	PDISEMSM3X55	M3-.5 PPHMS Screw with Ext Tooth Washer
4	2	PDIPPHMSM4X76	M4 X .7 X 6MM Phillips Head Screws
5	1	PD106-776R	15 to 26 pin cable
6	2	PDIPPHMSM6X110	M6 X 1.0 X 10MM Philips Head Screws

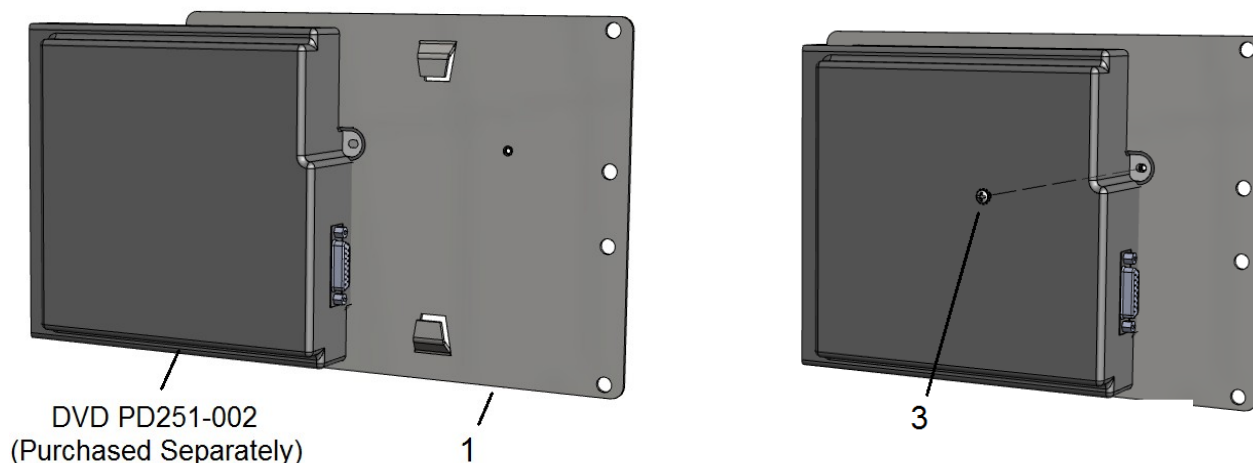
PROCEDURE:



The DVD player must be securely attached to the bracket before attaching the bracket to the TV assembly. The DVD player will fall if not secured.

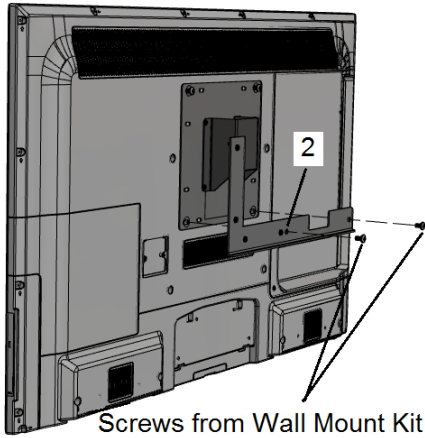
Step 1 Wall and Table Mount:

Slide DVD player (purchased separately) through tabs on DVD mounting bracket PD181-774 (1) as shown. Secure with PDISEMSM3X55 screw (3).

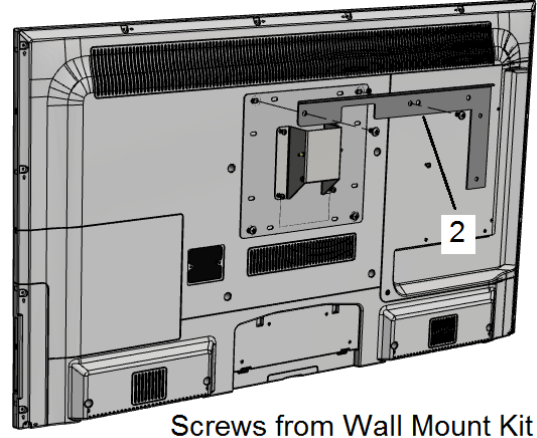


Step 2 Wall Mount:

Remove two bottom or top PDIPPHMSM6X110 screws from wall mount kit plate (depending on desired side) and place PD181-771 (2) adapter bracket to plate and re-secure with same screws.



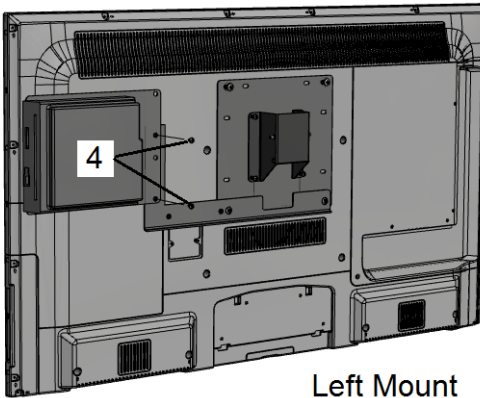
Screws from Wall Mount Kit
 Left Mount



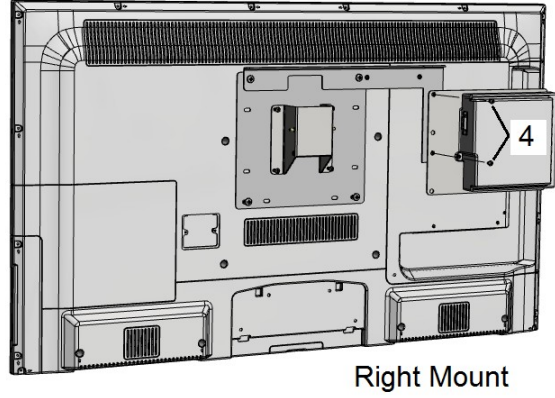
Screws from Wall Mount Kit
 Right Mount

Step 3 Wall Mount:

Secure the DVD bracket assembly to the PD181-771 adapter bracket with two PDIPPHMSM4X76 screws (4).



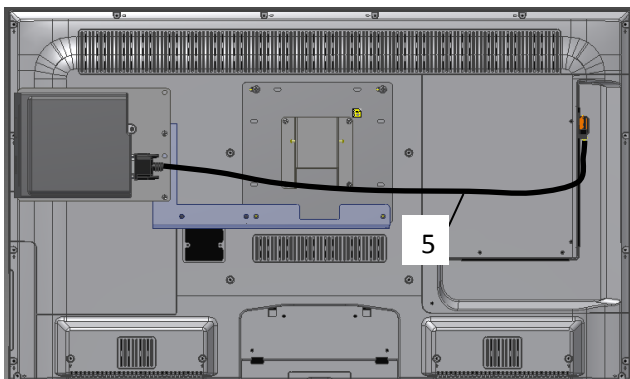
Left Mount



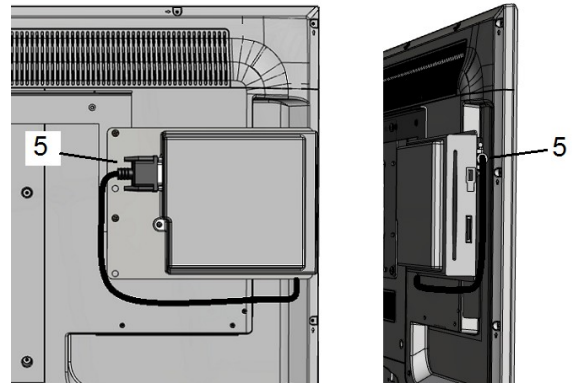
Right Mount

Step 4 Wall Mount:

Make connections with cable PD106-776R (5) from DVD module to television as shown. Mount TV to wall using installation instructions for your specific product.



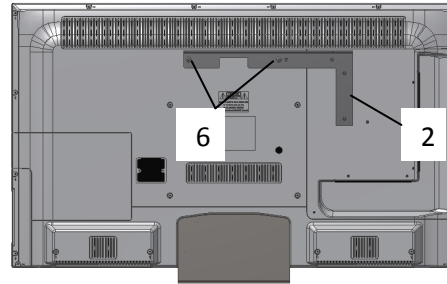
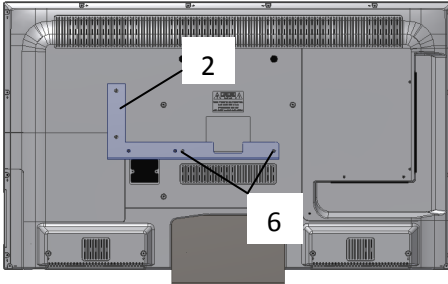
42" Left Mount



42" Right Mount

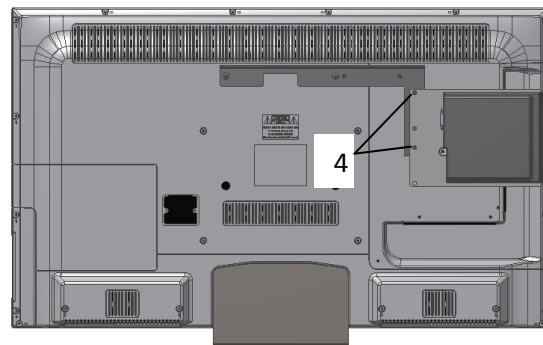
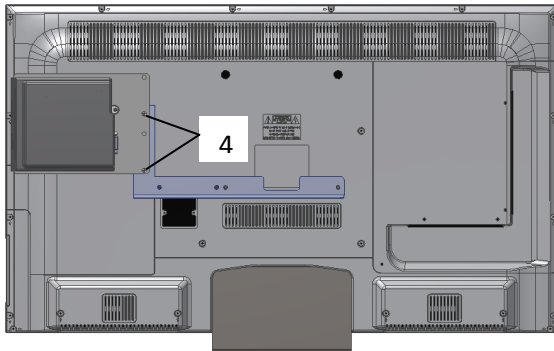
Step 2 Table Mount:

Place PD181-771 (2) adapter bracket to plate and secure with two PDIPPHMHM6X110 screws (6).



Step 3 Table Mount:

Secure the DVD bracket assembly to the PD181-771 adapter bracket with two PDIPPHMSM4X76 screws (4).



Step 4 Table Mount:

Make connections with cable PD106-776R (5) from DVD module to television as shown.

