	MODEL NUMBER: PD251-045 Bottom Mount DVD Kit For 32" Metal LED TV	Document Number: PD196-337R2
	Installation Instructions	Page 1 of 3

**SCOPE:**

To install a bottom mount DVD bracket to a 32" wall mounted metal LED TV using a PDI wall mount kit (not included).

**TOOL LIST:**

1. Safety glasses/goggles
2. P1 or P2 Phillips screwdriver

**SAFETY STEPS:**

1. Always wear safety glasses/goggles to prevent injury from debris.
2. Follow the installation/removal instructions for your existing products.

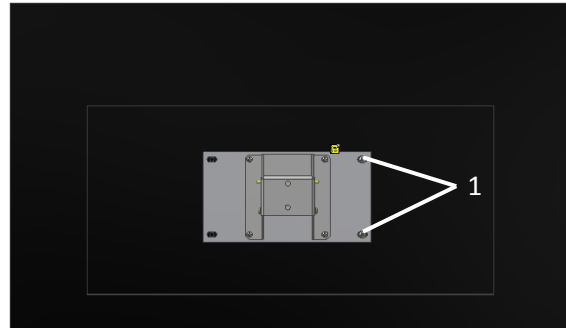
**SUPPLIED PARTS:**

ITEM	QTY	PART NUMBER	DESCRIPTION
1	4	PDIPPHMSM6X110	M6-1X10MM SCREWS
2	1	PD181-816	DVD MODULE BRACKET
3	1	PDISEMSM3X55	M3-.5X5MM SCREWS
4	1	PD106-776R	15 TO 26 PIN 36" RIGHT ANGLE

**PROCEDURE: For PD168-051 Wall Bracket Kit**

**STEP 1:**

Attach the wall mounting plate (from separately purchased kit) to the TV and secure with two PDIPPHMSM6X110 (1) screws on the right side.

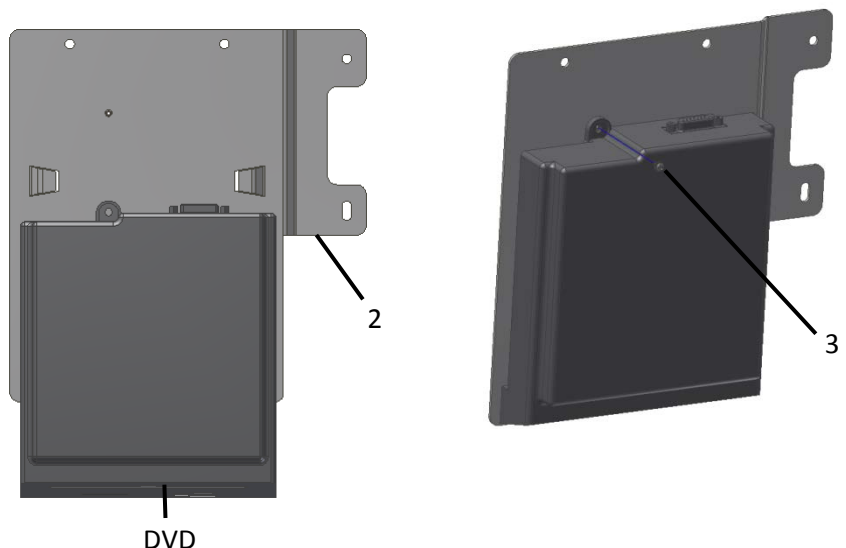


**STEP 2:**



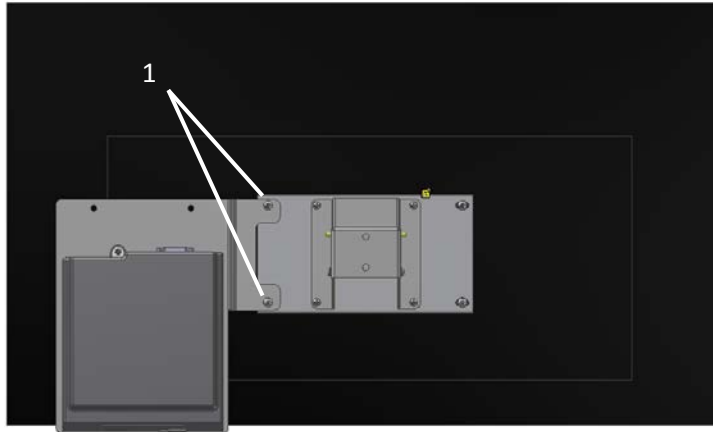
**This bracket is a new design. The DVD player must be securely attached to the bracket before attaching the bracket to the TV assembly. The DVD player will fall if screw is not secured.**

Slide DVD player (purchased separately) through tabs on DVD mounting bracket PD181-816 (2) as shown. Secure with PDISEMSM3X55 screw (3).

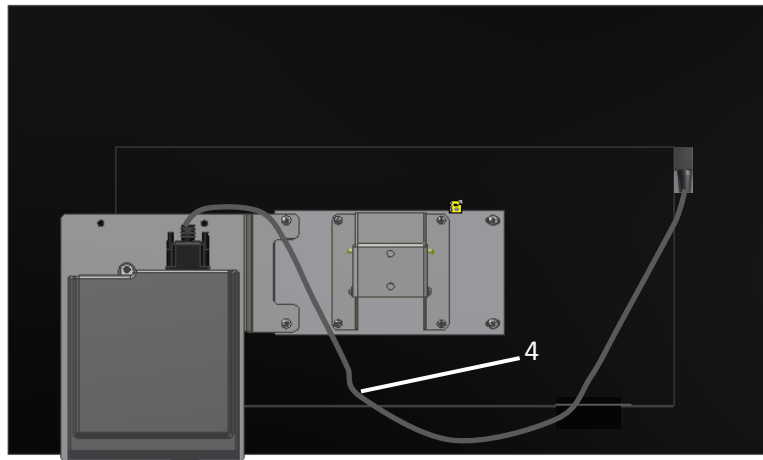


**STEP 3:**

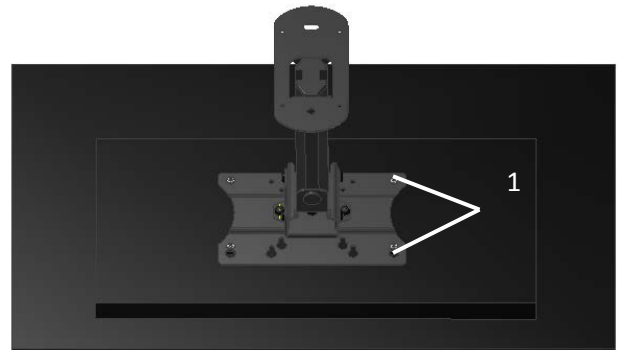
Position PD181-816 DVD MODULE BRACKET with DVD PLAYER over wall bracket plate on the left side and attach with two PDIPPHMSM6X110 (1) screws as pictured. Tighten all four screws.

**STEP 4:**

Make connections with cable PD106-776R (4) from DVD module to television. Mount TV to wall using installation instructions for your specific product.

**PROCEDURE: For PD181-772 Wall Bracket Kit****STEP 1:**

Attach the wall mounting plate (from separately purchased kit) to the TV and secure with two PDIPPHMSM6X110 (1) screws on right side.

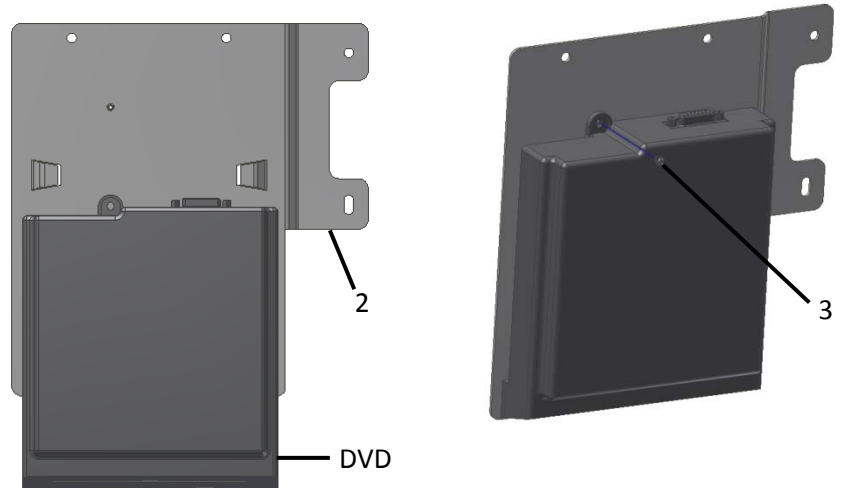


**STEP 2:**



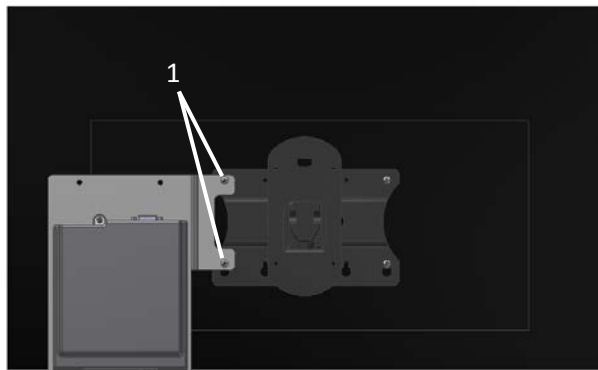
**This bracket is a new design. The DVD player must be securely attached to the bracket before attaching the bracket to the TV assembly. The DVD player will fall if screw is not secured.**

Slide DVD player (purchased separately) through tabs on DVD mounting bracket PD181-816 (2) as shown. Secure with PDISEMSM3X55 screw (3).



**STEP 3:**

Position PD181-816 DVD MODULE BRACKET with DVD PLAYER over wall bracket plate on the left side and attach with two PDIPPHMSM6X110 (1) screws as pictured. Tighten all four screws.



**STEP 4:**

Make connections with cable PD106-776R (4) from DVD module to television. Mount TV to wall using installation instructions for your specific product.

