

 <small>Communication Systems, Inc.</small> <i>A Leader in Patient Communication Solutions®</i>	MODEL NUMBER: PD251-046 Bottom Mount DVD Bracket for 24" Metal LED TV	Document Number: PD196-343R2
	Installation Instructions	Page 1 of 2

Scope:

To install a bottom mount DVD bracket to a 24" wall mounted metal LED TV using a PD168-103 wall mount kit (Not Included).

Tool List:

1. Safety glasses/goggles
2. P1 or P2 Phillips screwdriver

Safety Steps:

1. Always wear safety glasses/goggles to prevent injury from debris.
2. Follow the installation/removal instructions for your existing products.

Supplied Parts List:

ITEM	QTY	PART NUMBER	DESCRIPTION
1	1	PD181-820	DVD Mounting Bracket
2	1	PDISEMSM3X55	M3-.5 PPHMS Screw
3	4	PDIPPHMSM4X710	M4X.7X10MM Screws
4	1	PD106-776R	15 to 26 pin cable

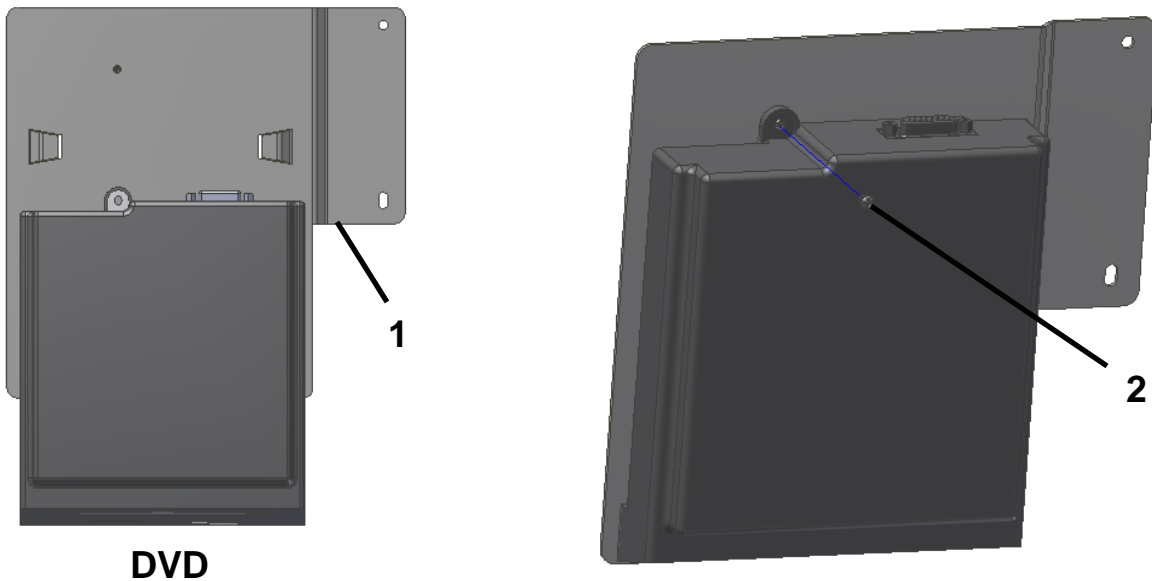
PROCEDURE:



This bracket is a new design. The DVD player must be securely attached to the bracket before attaching the bracket to the TV assembly or the DVD player will fall.

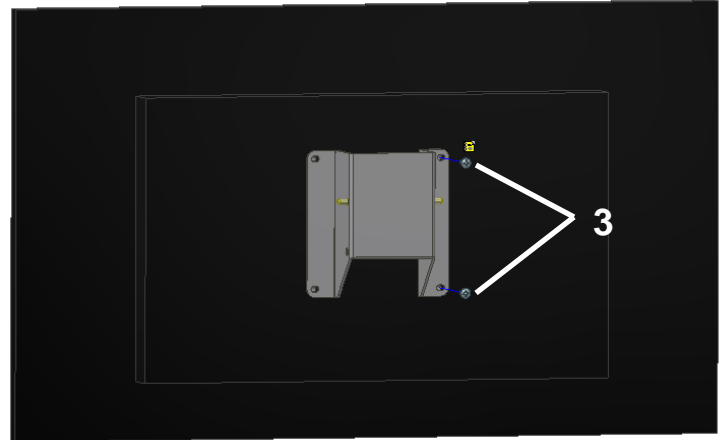
Step 1:

Slide DVD player (purchased separately) through tabs on DVD mounting bracket PD181-820 (1) as shown. Secure with PDISEMSM3X55 screw (2).

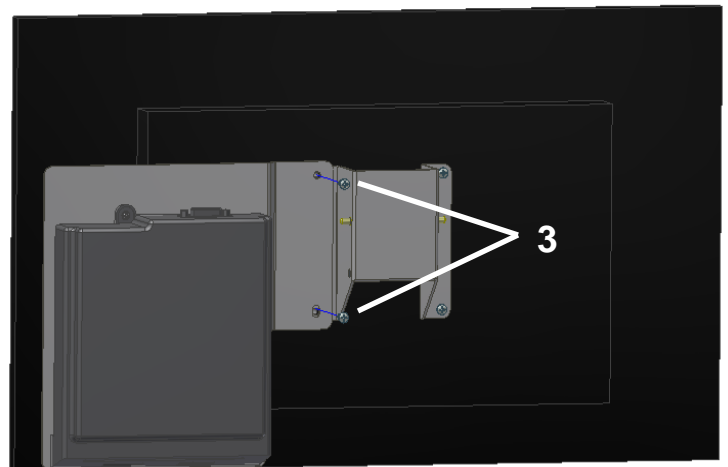


Step 2:

Remove screws from existing wall mount bracket and secure right side with two PDIPPHMSM4X710 screws (3) provided.

**Step 3:**

Attach DVD/mounting bracket assembly to left side of existing wall bracket with remaining two PDIPPHMSM4X710 (3) screws. Securely tighten all four PDIPPHMSM4X710 screws.

**Step 4:**

Make connections with cable PD106-776R (4) from DVD module to television as shown. Mount TV to wall using installation instructions for your specific product.

