


|   |   |                                 |
|---|---|---------------------------------|
| <br>PDi<br>Communication Systems, Inc.<br>A Leader in Patient Communication<br>Solutions® | MODEL NUMBER:<br>PD251-048 Bottom DVD Mount for 50"<br>LED TV | Document Number:<br>PD196-364R2 |
|   | Installation Instructions                                     | Page 1 of 2                     |

**Scope:**

To install a bottom mount DVD bracket to a 50" wall mounted LED TV using a PD168-229 or PD168-226 bracket kit (not included). The PD168-229 kit includes the PD181-707 bracket. The PD168-226 kit includes the PD181-672 bracket.

**Tool List:**

1. Safety glasses/goggles
2. P1 or P2 Phillips screwdriver

**Safety Steps:**

1. Always wear safety glasses/goggles to prevent injury from debris.
2. Follow the installation/removal instructions for your existing products.

**Supplied Parts:**

| ITEM | QTY | PART NUMBER    | DESCRIPTION             |
|------|-----|----------------|-------------------------|
| 1    | 1   | PD181-816      | DVD Module Bracket      |
| 2    | 1   | PDISEMSM3X55   | M3-.5X5mm Screws        |
| 3    | 2   | PDINILN1032    | #10-32 Nyloc Nuts       |
| 4    | 2   | PDIPPHMS103250 | #10-32 x 0.5 LG. Screws |
| 5    | 1   | PD106-776R     | 15 to 26 pin 36" cable  |
| 6    | 4   | PDIFW10        | #10 flat washer         |

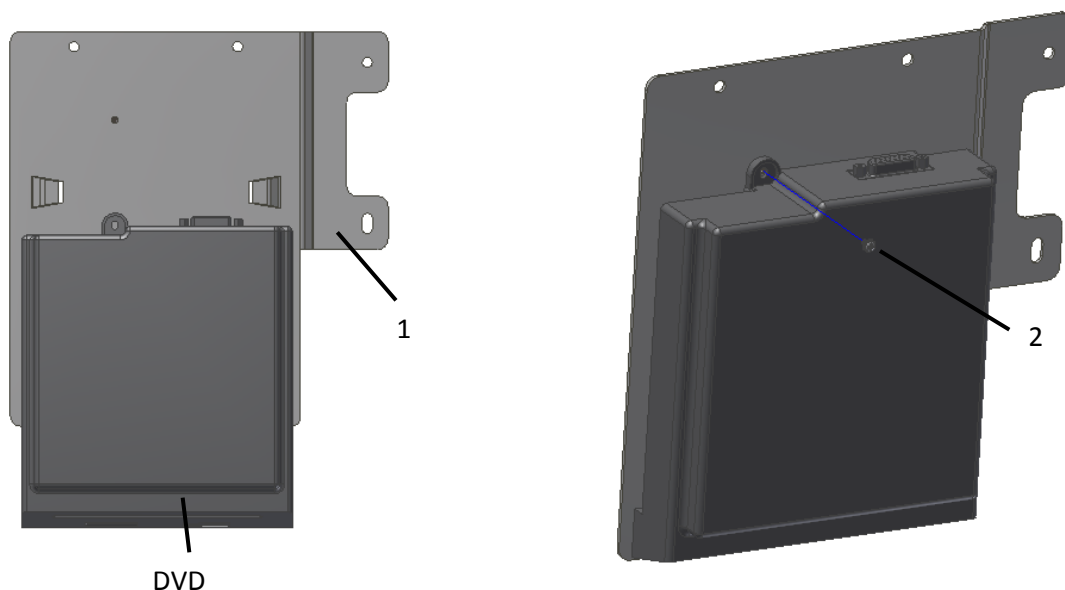
**Procedure:**



**This bracket is a new design. The DVD player must be securely attached to the bracket before attaching the bracket to the TV assembly. The DVD player will fall if not secured.**

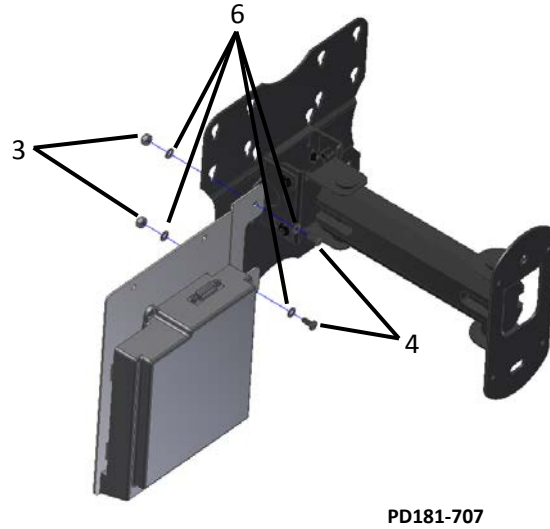
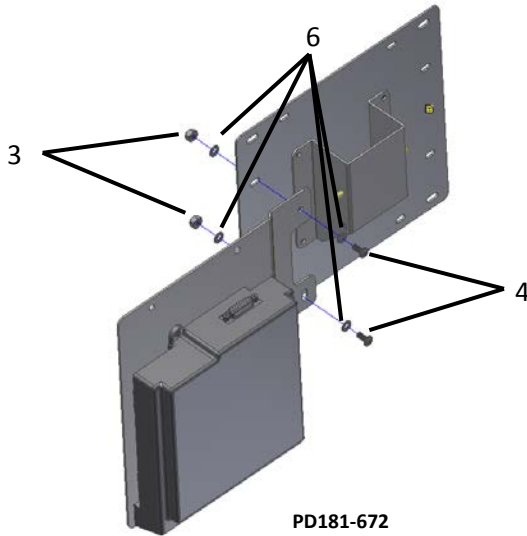
**Step 1:**

Slide DVD player (purchased separately) through tabs on DVD mounting bracket PD181-816 (1) as shown. Secure with PDISEMSM3X55 screw (2).



**Step 2: NOTE:** DVD plate must be installed to the PD181-672 or PD181-707 mounting plate before attaching to TV.

Attach DVD/mounting bracket assembly to PD181-672 or PD181-707 bracket using two PDIPPHMS103250 screws (4), four PDIFW10 flat washer (6) and two PDINILIN1032 Nyloc nuts (3) as shown.



**Step 3:**

Follow instructions supplied with wall mount kit to point of attaching plate to TV. Using M6 screws supplied with that kit, attach the plate to TV. Make connections with cable PD106-776R (5) from DVD module to television. Mount TV to wall using installation instructions for your specific product.

