

 <small>Communication Systems, Inc.</small> <i>A Leader in Patient Communication Solutions®</i>	MODEL NUMBER: PD168-231 Xbox One Mounting Kit	Document Number: PD196-371R1
	Installation Instructions	Page 1 of 2

Scope:

To install the PD168-231 Xbox One Mount to wall.

*This is only compatible with an Xbox One model.

Tool List:

1. Safety glasses/goggles
2. Screwdriver with spanner bit *Spanner bit supplied

Safety Steps:

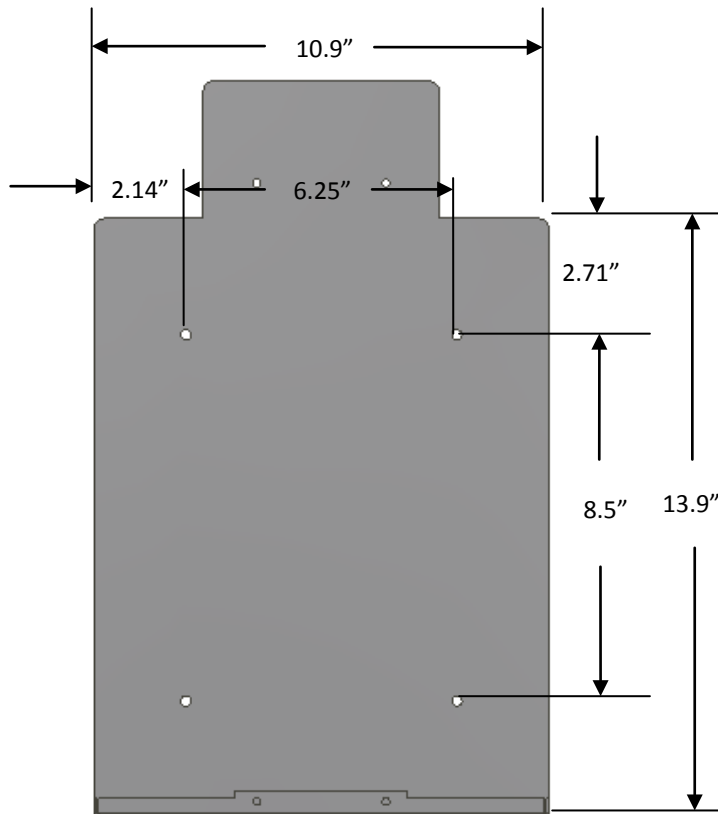
1. Always wear safety glasses/goggles to prevent injury from debris.
2. Follow the installation/removal instructions for your existing products.

Supplied Parts:

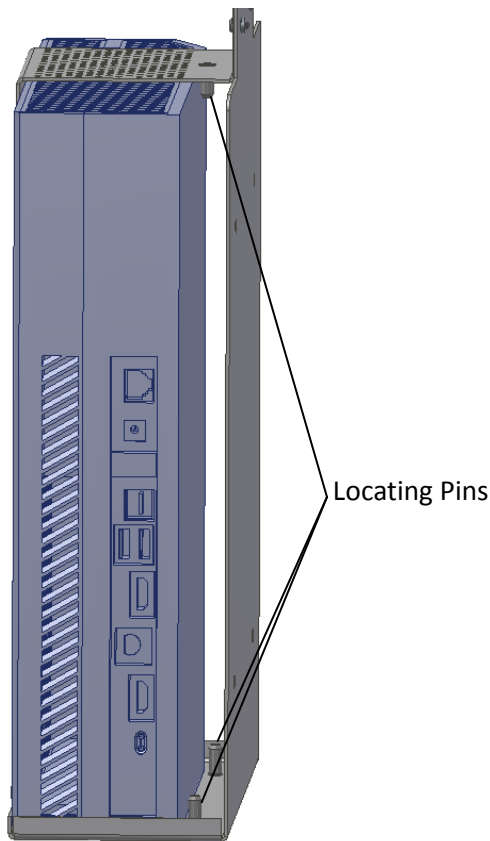
ITEM	QTY	PART NUMBER	DESCRIPTION
1	1	PD181-826	Xbox One Mounting Bracket
2	1	PD181-827	Xbox One Retaining Bracket
3	1	PD219-135	#6 Spanner Bit
4	4	PD209-088	#6-32 x ¼ Tamper-Resist Machine Screw Drilled Spanner

Procedure:

1. Locate the location on the wall for the Xbox One Mounting Kit. Using the figure below, drill and install (4) dry wall mollys for mounting. *Dry wall mollys are customer supplied.



2. Place the PD181-826 mounting bracket on the wall over the mollies and install in place using (4) screws. *Screws provided by customer.
3. Place the Xbox One (not supplied with bracket) into the PD181-826 paying attention to the locating pins (see side view below).
4. Paying attention to the locating pins, place the PD181-827 retaining bracket, over the Xbox One assembly and attach with (4) PD209-088 screws to secure the Xbox.
5. Place the Xbox power brick into the mount and make necessary power connections.



Side View

