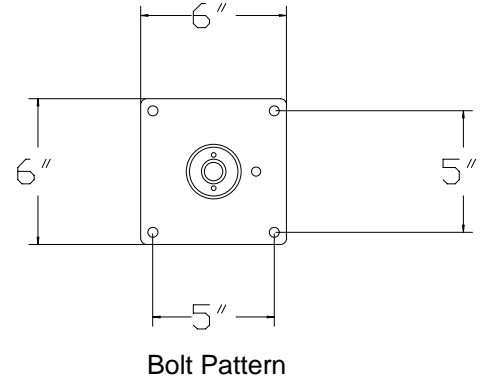


The PDI-STM standard table mount is designed to provide support for the models 403, 405, and 508 series support arms. Two different model heights are available.

MODEL	HEIGHT	TV APPLICATION
PDI-STM-14	14"	P9, and P10LCD
PDI-STM-16.5	16.5"	P9, 13" sets, P10LCD, and P15LCD

1. Select a table mounting surface that is able to support the applied load of the assembled arm with TV.

NOTE: Our arms will support televisions up to 22.5 lbs, which causes a worse case static load of 170 ft-lbs of torque applied at the base pin of the support arm (top of the table mount stand).
2. Due to variations in table construction, PDI recommends the assistance of a structural engineer to verify all loadings and appropriate fasteners.
3. The table must be properly anchored. Secure the mount to the table using the structural engineer's recommended fasteners. An example fastener list is shown below.



QTY	SIZE	DESCRIPTION
4	3/8-16 x 2"	Gr8 Bolt
4	3/8-16	Gr8 Hex Nut
8	3/8	High Strength Flat Washers

SECTION	403	405	508
A	40"	44"	39"
B	62"	66"	56"
C	5"	5"	4"
D	27"	27"	21"
E	29"	29"	20"
TORQUE FT-LBS	170	170	150

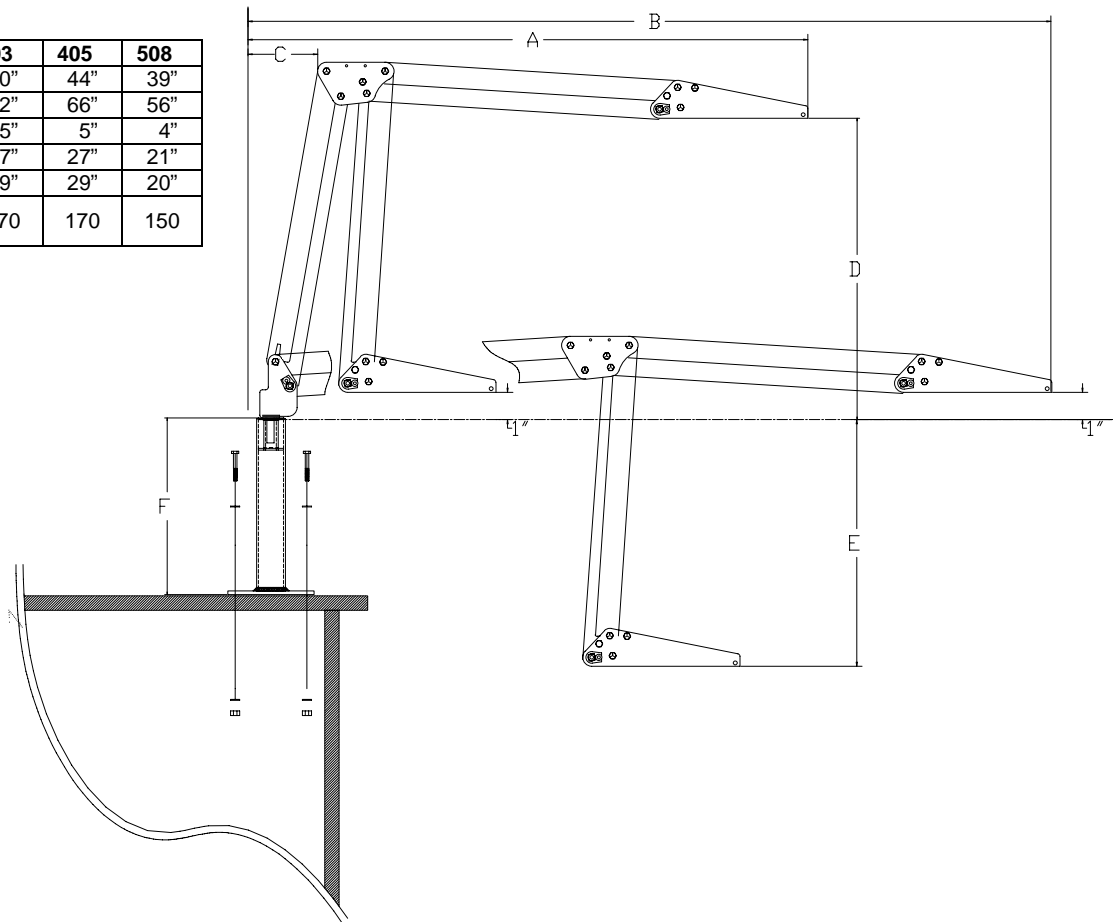


TABLE MOUNT ROTATIONAL STOP INSTALLATION

1. Place the arm into the table mount.
2. Place a 10-32 x 1-1/4 screw thru the PDI-243, plastic stop.
3. Rotate the arm to the left or right until the desired position is reached.
4. Place the screw/stop thru the closest hole in the PDI-242STM and next to the arm base that will not allow the arm to rotate beyond the desired position.
5. Now, place a 10-32 Nylon insert locknut on the screw and tighten until the stop is secure.
6. Repeat on the opposite side if there are dual stops.

