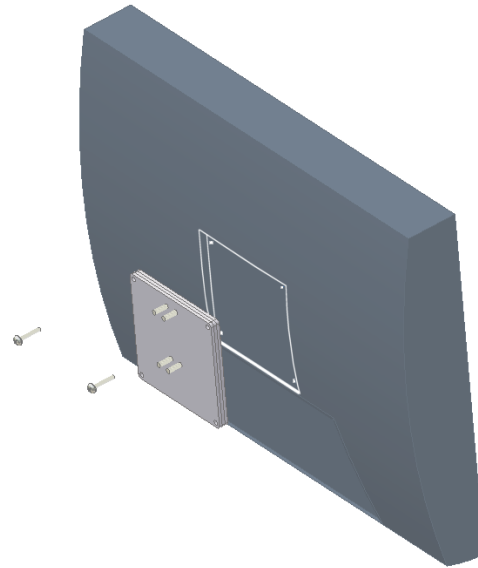
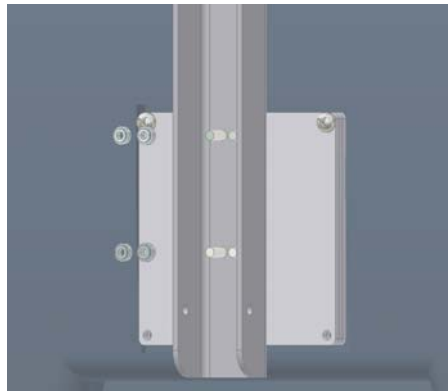


1. Stack two 100 x 100 mm plates onto the 100 x 100 mm adapter plate with corner studs (not shown).

2. Attach the 100 x 100 mm plates onto the back of the monitor with two M4 x 20 screws at the top two locations only.



3. Position the mounting channel over the four exposed studs located on the adapter plate. Secure with four ny-lock nuts.



4. Attach the wire cover to the bottom two vacant holes on the adapter plate using two M4 x 25 mm screws.

