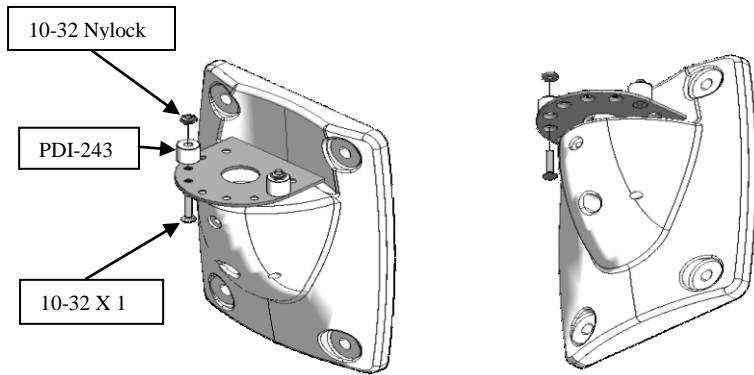


## PDI-179RS-KIT ROTATIONAL STOP INSTALLATION

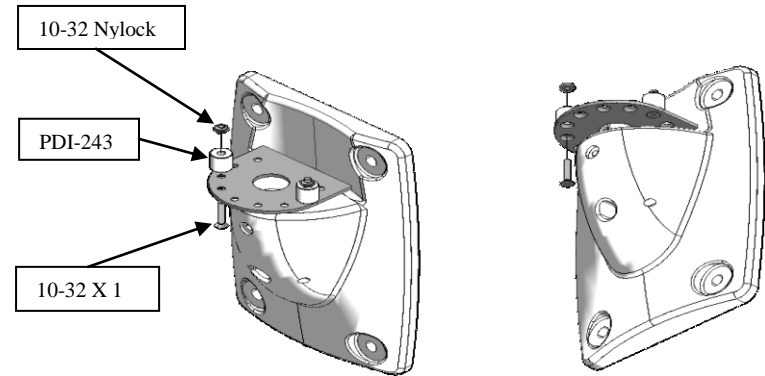


Place the PDI-179RS on the wall bracket, so the large hole in the rotational stop is around the top of the bushing and the straight edge to the rear. Next, place the arm into the wall bracket. Rotate the arm to the left or right until the desired position is found. Place a 10-32 x 1 screw thru the closest hole in the PDI-179RS and next to the arm base that will not allow the arm to rotate beyond the desired position. Place a PDI-243, plastic stop, over the 10-32 x 1 screw. Now, place a 10-32 nylon insert lock nut on the screw and tighten until the stop is secure. Repeat for the opposite side if needed.

### **PARTS LIST:**

- (1) 1 – PDI-179RS (rotational stop plate)
- (2) 2 – PDI-243 (stops)
- (3) 2 – PDIPFHMS1032 100 (10-32x1 flathead screw)
- (4) 2 – PDINILN 1032 (10-32 nylon insert locknut)

## PDI-179RS-KIT ROTATIONAL STOP INSTALLATION



Place the PDI-179RS on the wall bracket, so the large hole in the rotational stop is around the top of the bushing and the straight edge to the rear. Next, place the arm into the wall bracket. Rotate the arm to the left or right until the desired position is found. Place a 10-32 x 1 screw thru the closest hole in the PDI-179RS and next to the arm base that will not allow the arm to rotate beyond the desired position. Place a PDI-243, plastic stop, over the 10-32 x 1 screw. Now, place a 10-32 nylon insert lock nut on the screw and tighten until the stop is secure. Repeat for the opposite side if needed.

### **PARTS LIST:**

- (1) 1 – PDI-179RS (rotational stop plate)
- (2) 2 – PDI-243 (stops)
- (3) 2 – PDIPFHMS1032 100 (10x32x1 flathead screw)
- (4) 2 – PDINILN 1032 (10-32 nylon insert locknut)