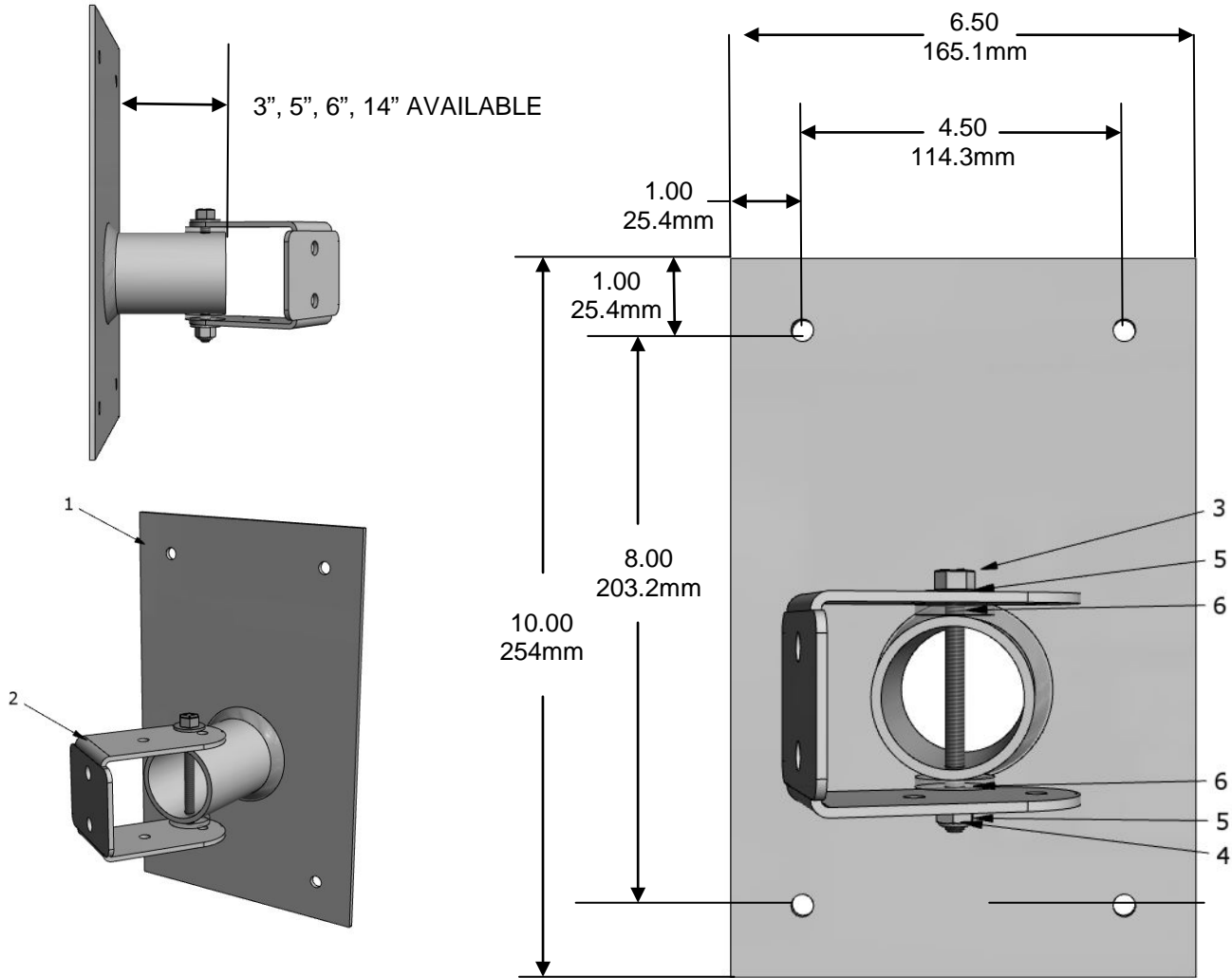


	MODEL NUMBER: PD181-606 LCD Pan and Tilt Mount	Document Number: PD196-052R4
	Installation Instructions	Page 1 of 2

ASSEMBLY INSTRUCTIONS FOR LCD PAN AND TILT MOUNT:
 Standard, 5" 6" and 14" models

1. Attach clevis (2) to wall plate (1) with one 1/4 -20 x 3 bolt (3), two 1/4" flat washers (5), two PDI1172 plastic friction washers (6), and one 1/4-20 nylon insert nut (4), as shown.
2. Tighten bolt/nut until a small amount of friction is felt.



ITEM	QTY	PART NUMBER	DESCRIPTION
1	1	PD181-604	WALL PLATE FOR LCD PAN AND TILT MOUNT STANDARD, -5", -6" -14" MODELS
2	1	PD181-605	CLEVIS FOR LCD PAN AND TILT MOUNT
3	1	PDIHHCS 2520 300	1/4-20 X 3" BOLT
4	1	PDINILN2520	1/4-20 NYLOC NUT
5	2	PDIFW25	1/4" FLAT WASHER
6	2	PD1172	FRICITION WASHER

1. Attach the LCD mount clevis (7) (not included) to the PD181-606 mount with two ¼-20 x 3/8 button socket head cap screws (8), as shown. The LCD wall mount must match the TV size that is being mounted.
2. Tighten screws securely.
3. Attach assembly to desired location on wall (6" minimum from ceiling).
4. Follow assembly instructions supplied with monitor to attach to mount.

ITEM	QTY	PART NUMBER	DESCRIPTION
7	1	CLEVIS	LCD WALL BRACKET MOUNT (NOT INCLUDED)
8	2	PDIBSHMS 2520 38	¼-20 X 3/8 BUTTON HEAD

