

# INDEX OF DRAWINGS

SHEET 1	FLOOR MOUNT ASSEMBLY WITH T.V. ARM
SHEET 2	FLOOR MOUNT ASSEMBLY ON STRUCTURAL CONCRETE FLOOR
SHEET 3	FLOOR MOUNT ASSEMBLY ON CONCRETE FILLED METAL DECK FLOOR
SHEET 4	FLOOR MOUNT ASSEMBLY ON CONCRETE SLAB ON GRADE

NOTES

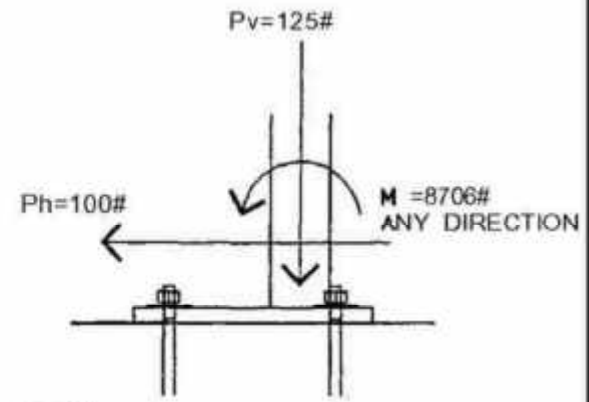
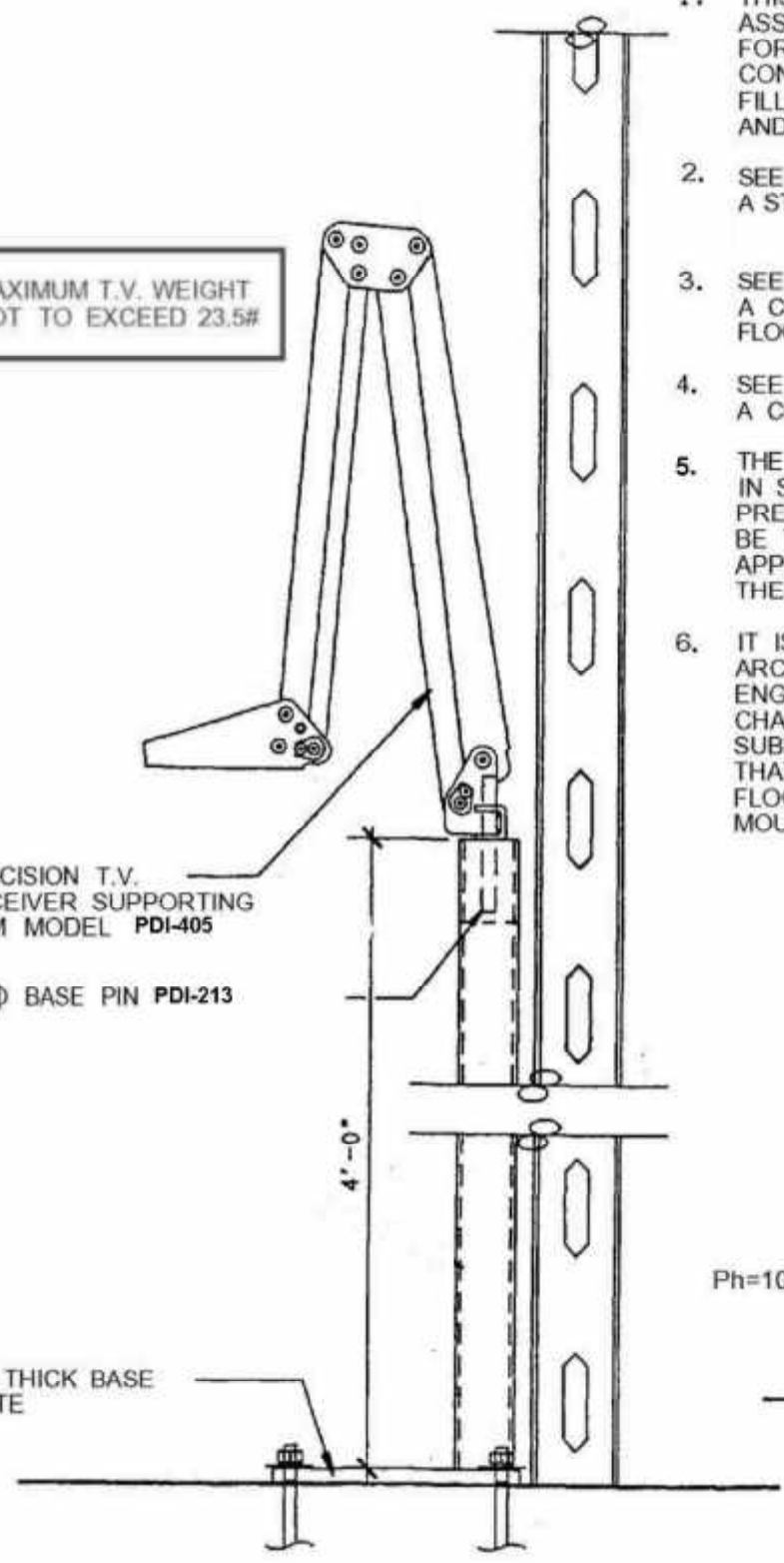
1. THIS T.V. ARM AND FLOOR MOUNT ASSEMBLY HAVE BEEN APPROVED FOR ATTACHMENT TO A STRUCTURAL CONCRETE FLOOR, A CONCRETE FILLED METAL DECK FLOOR ASSEMBLY AND A CONCRETE SLAB-ON-GRADE.
2. SEE SHEET 2 FOR ATTACHMENT TO A STRUCTURAL CONCRETE FLOOR.
3. SEE SHEET 3 FOR ATTACHMENT TO A CONCRETE FILLED METAL DECK FLOOR ASSEMBLY.
4. SEE SHEET 4 FOR ATTACHMENT TO A CONCRETE SLAB-ON-GRADE.
5. THE EQUIPMENT MUST BE INSTALLED IN STRICT ACCORDANCE WITH THESE PRE-APPROVAL DRAWINGS. IT WILL BE THE RESPONSIBILITY OF THE APPLICANT TO DELIVER A COPY OF THESE DRAWINGS TO THE JOB SITE.
6. IT IS THE RESPONSIBILITY OF THE ARCHITECT AND/OR STRUCTURAL ENGINEER, IN GENERAL RESPONSIBLE CHARGE OF THE PROJECT TO SIGN & SUBMIT THE NECESSARY CALCULATIONS THAT SHOW THE ADEQUACY OF THE FLOOR WHERE THE T.V. ARM AND MOUNTING BRACKET WILL BE INSTALLED.

MAXIMUM T.V. WEIGHT  
NOT TO EXCEED 23.5#

PRECISION T.V.  
RECEIVER SUPPORTING  
ARM MODEL PDI-405

5/8"Φ BASE PIN PDI-213

5/8" THICK BASE  
PLATE



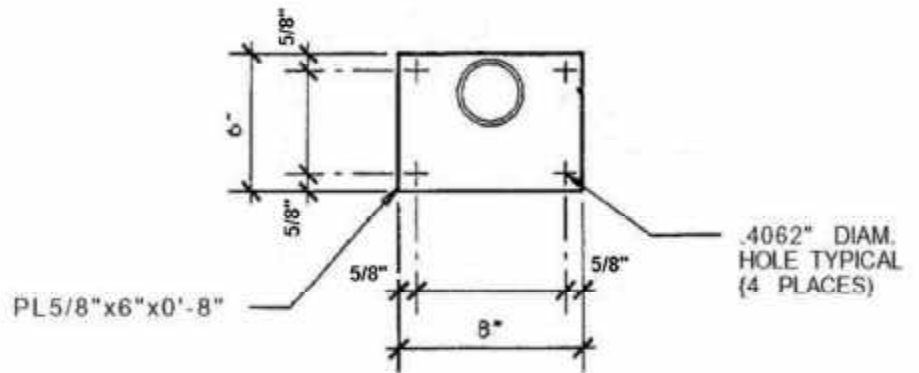
FORCES AT TOP OF  
CONCRETE FLOOR SYSTEM

FLOOR MOUNT ASSEMBLY  
WITH T.V. ARM

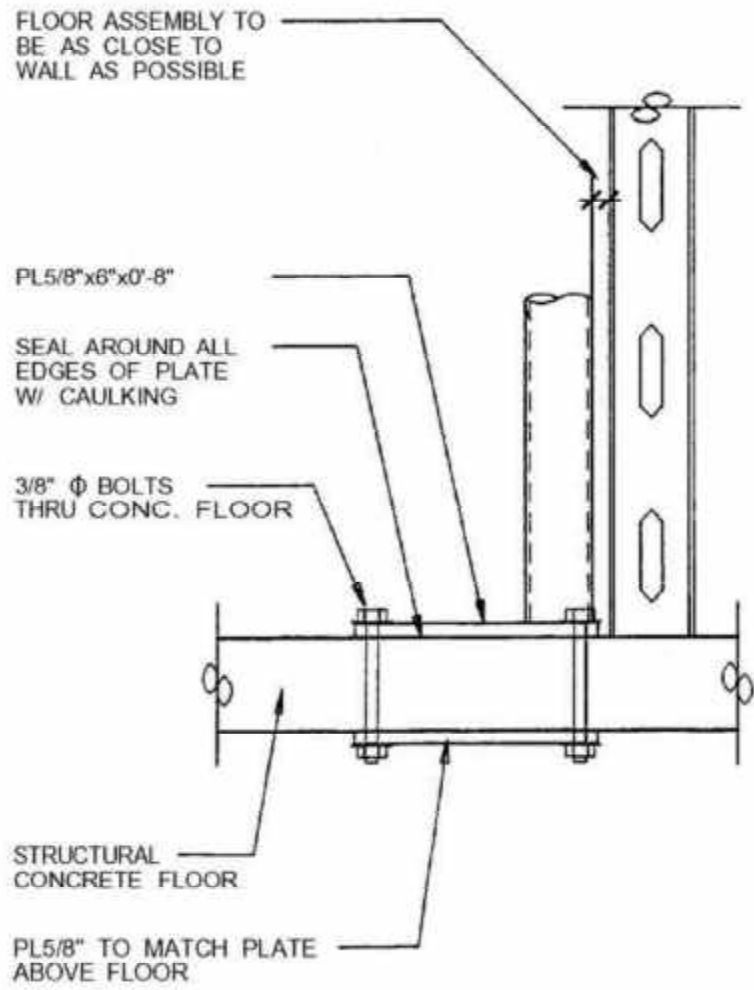
12/18/04

SHEET

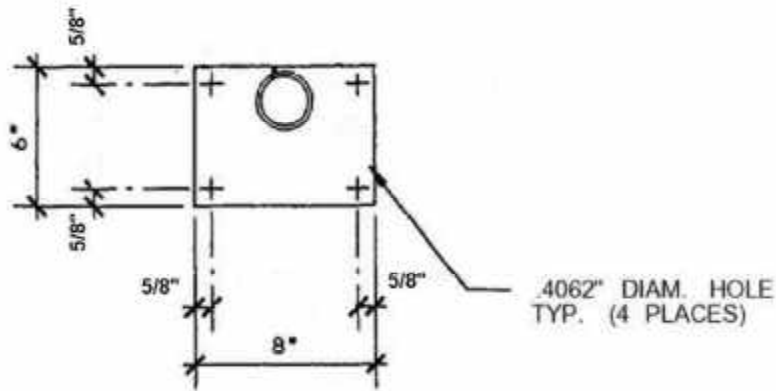
1



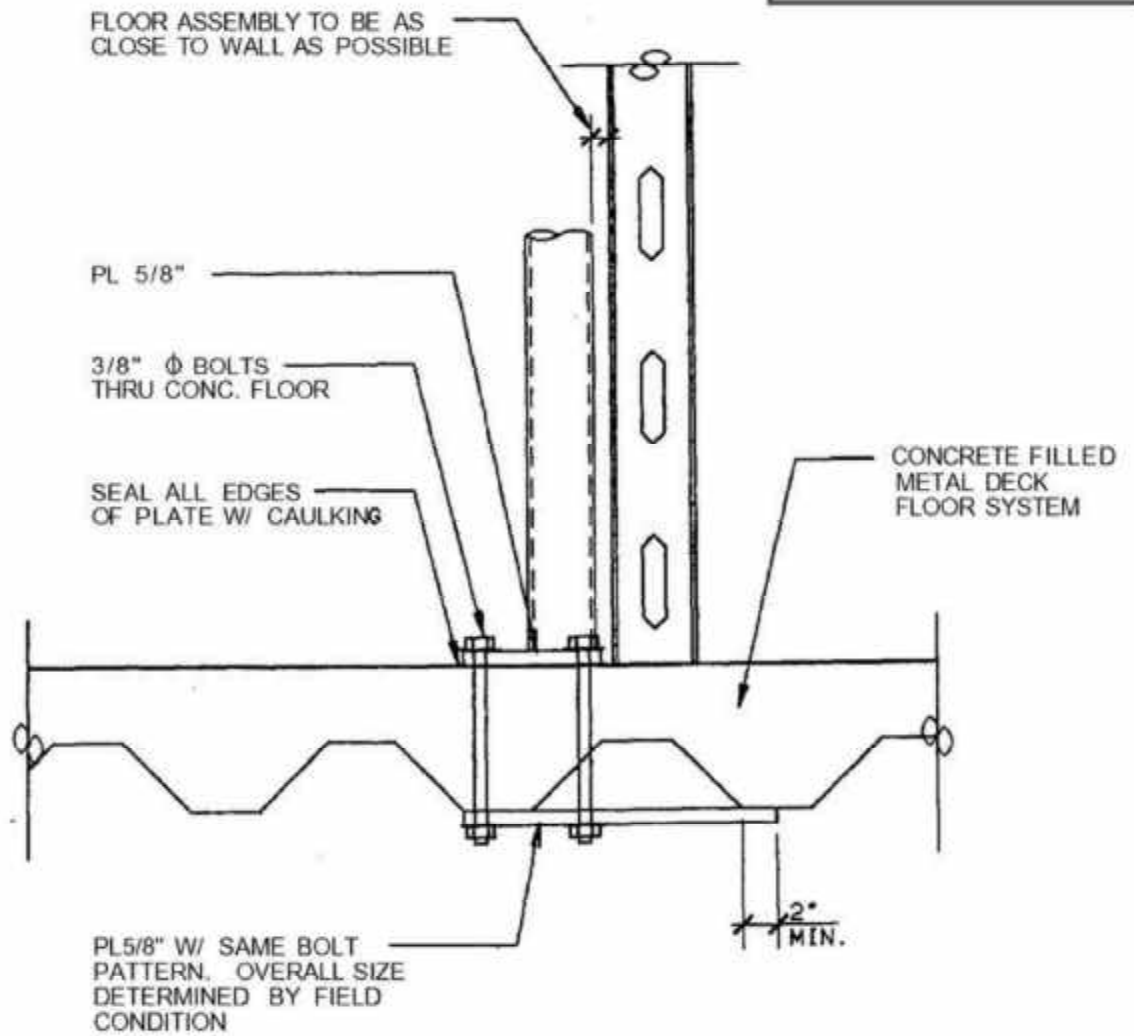
SPECIAL TESTS MUST BE PERFORMED ON THE FLOOR BEFORE DRILLING FOR THE BOLTS TO DETERMINE THE LOCATION OF THE FLOOR REINFORCING IN THE AREA AROUND THE BASE PLATE. NO REINFORCING SHALL BE CUT

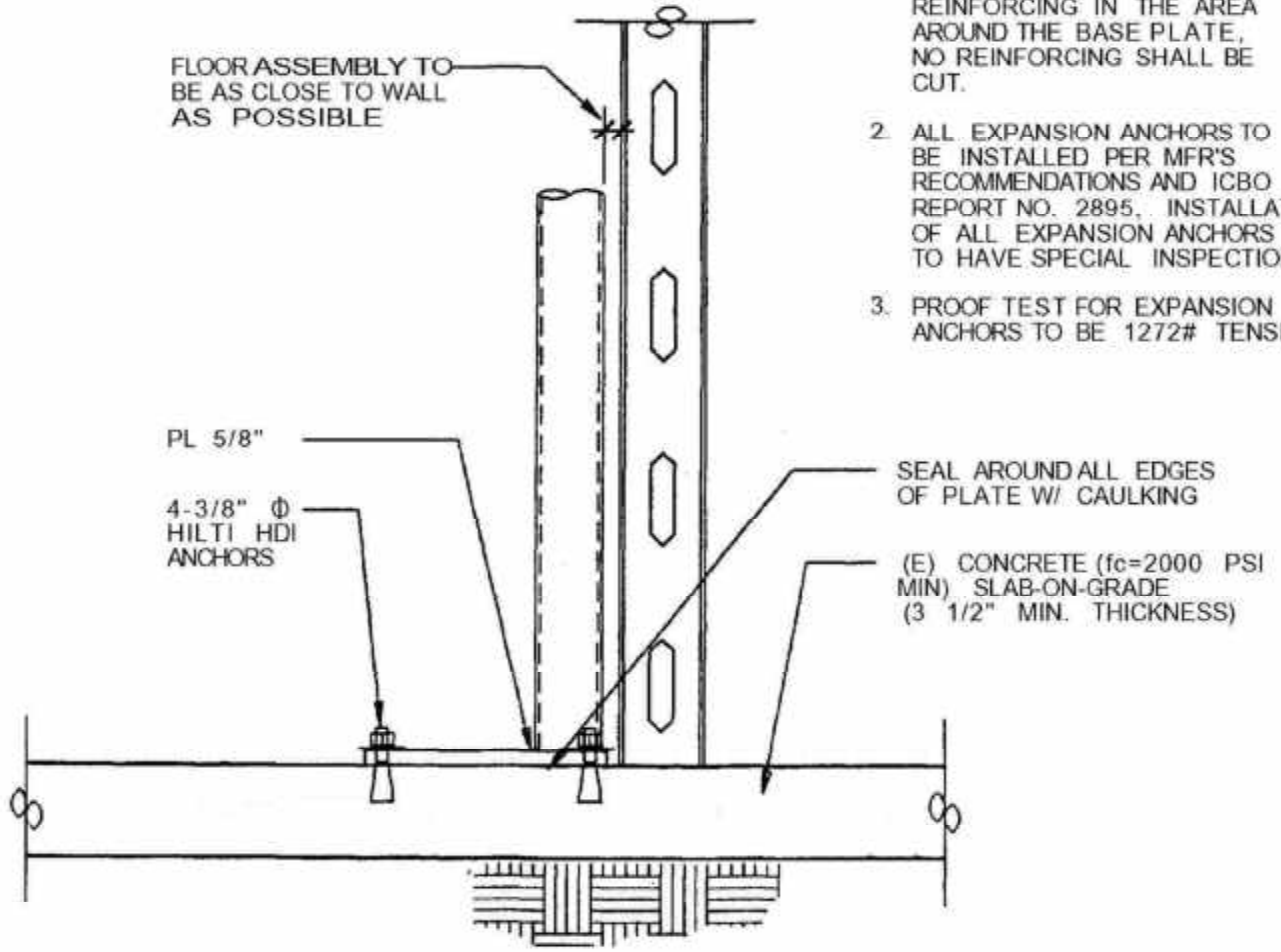


Document Number PD196-061 Rev 1	FLOOR MOUNT ASSEMBLY ON STRUCTURAL CONCRETE FLOOR	12/16/04
		SHEET <b>2</b>



SPECIAL TESTS MUST BE PERFORMED ON THE FLOOR BEFORE DRILLING FOR THE BOLTS TO DETERMINE THE LOCATION OF THE FLOOR REINFORCING IN THE AREA AROUND THE BASE PLATE. NO REINFORCING SHALL BE CUT.





NOTES:

1. SPECIAL TESTS MUST BE PERFORMED ON THE FLOOR BEFORE DRILLING FOR THE BOLTS TO DETERMINE THE LOCATION OF THE FLOOR REINFORCING IN THE AREA AROUND THE BASE PLATE, NO REINFORCING SHALL BE CUT.
2. ALL EXPANSION ANCHORS TO BE INSTALLED PER MFR'S RECOMMENDATIONS AND ICBO REPORT NO. 2895, INSTALLATION OF ALL EXPANSION ANCHORS TO HAVE SPECIAL INSPECTION,
3. PROOF TEST FOR EXPANSION ANCHORS TO BE 1272# TENSION,

Document Number PD196-061 Rev 1	FLOOR MOUNT ON CONCRETE SLAB-ON-GRADE		12/16/04
			SHEET <b>4</b>