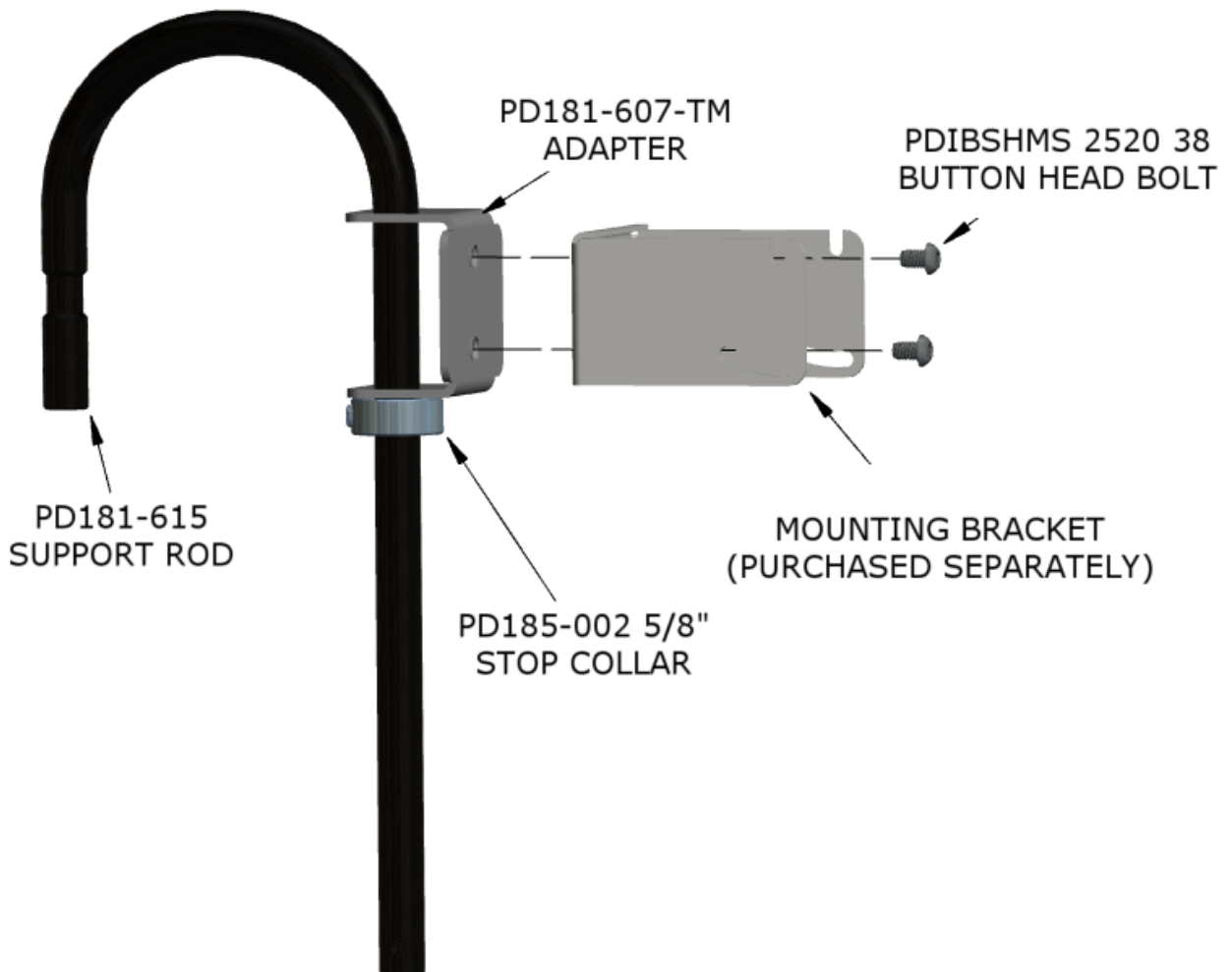


ASSEMBLY INSTRUCTIONS FOR LCD TOP MOUNT

1. Attach mounting bracket (purchased separately) to PD181-607-TM adapter using (2) PDIBHSCS 2520 38 fasteners as pictured. Securely tighten.
Note: PD181-697 mounting bracket from the PD168-103 kit (purchased separately) is shown for example.



Follow the separate mounting instructions for your chosen wall and mounting bracket kits (Wall bracket to wall and TV mounting bracket to TV). Be sure to allow enough ceiling clearance to insert top mount and allow for positioning of TV. Height will vary depending on TV and wall bracket mounting location.

2. Loosen security screw, if bracket has this feature. Insert short end of PD181-615 into wall bracket bushing until securely seated.
3. Tighten security screw, if bracket has this feature.
4. Test for easy side to side movement of support rod assembly.

Note: 179C wall bracket and an ELED television is used for example and are not included with this mount.



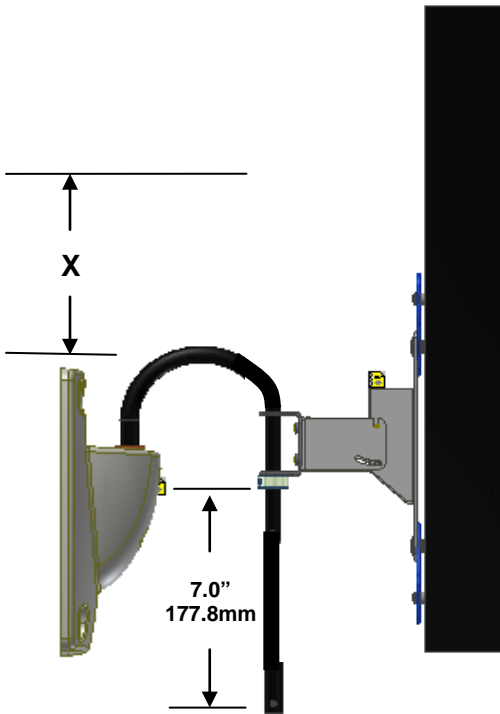
Height Adjustment

BE CAREFUL TO SECURELY SUPPORT THE TV WHEN CHANGING TO DESIRED HEIGHT

The height of the TV can be adjusted by loosening the stop collar, moving it to the desired height and retightening the set screw.

Note: The assembly has approximately 7 inches of vertical adjustment.

The assembly has two points of rotation, "A" and "B", that allow side to side positioning and angle adjustment.



X – Varies on the placement of the wall bracket and the size of TV

