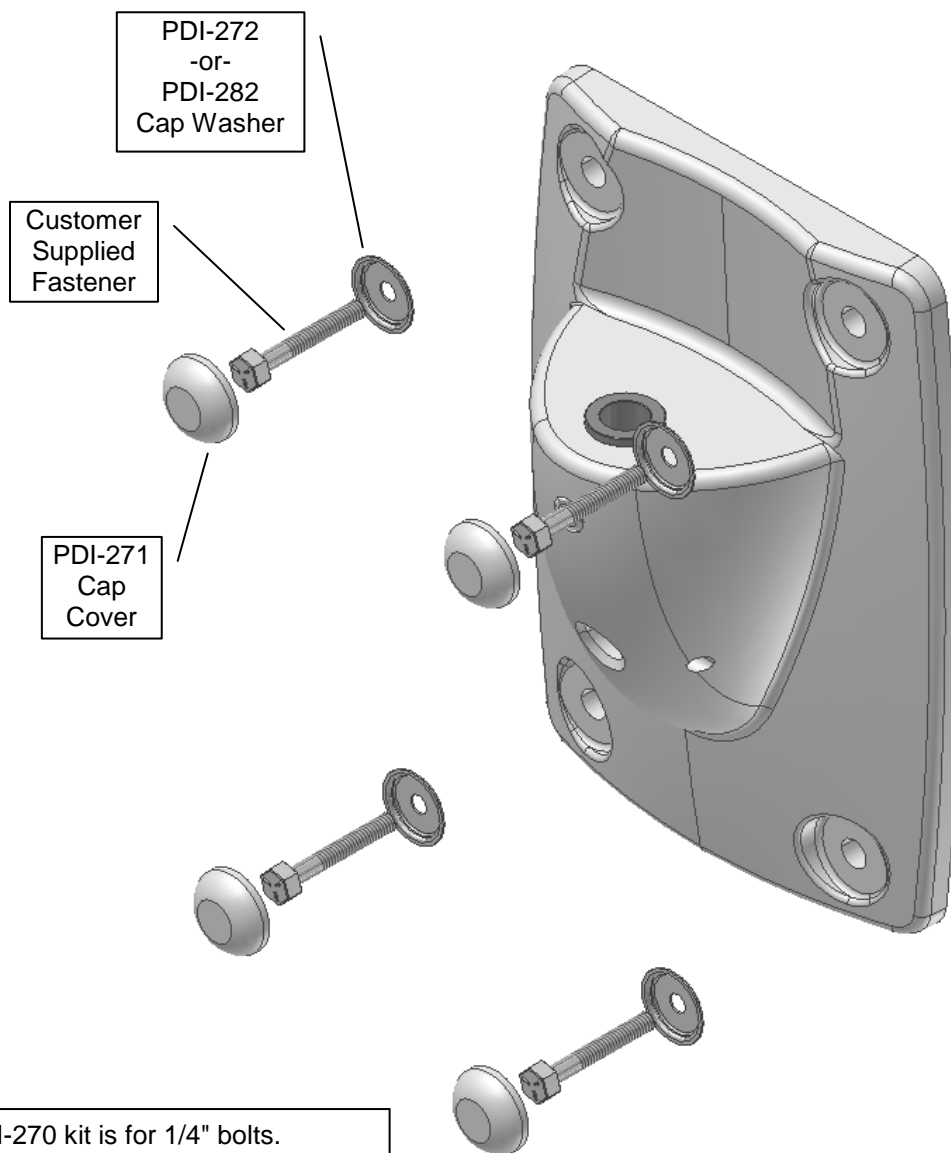


1. Place a customer supplied fastener thru a PDI-272 for 1/4" bolts or PDI-282 for 5/16" cap washer.
***You may order PD220-107 washers to convert kits to fit 3/8" bolts.**
2. Insert the fastener thru the PDI-179C casting and tighten as shown.
3. Repeat for next three mounting holes.
4. Retighten all four mounting fasteners securely.
5. Snap a PDI-271 plastic cap cover on each cap washer.



PDI-270 kit is for 1/4" bolts.

PDI-280 kit is for 5/16" bolts