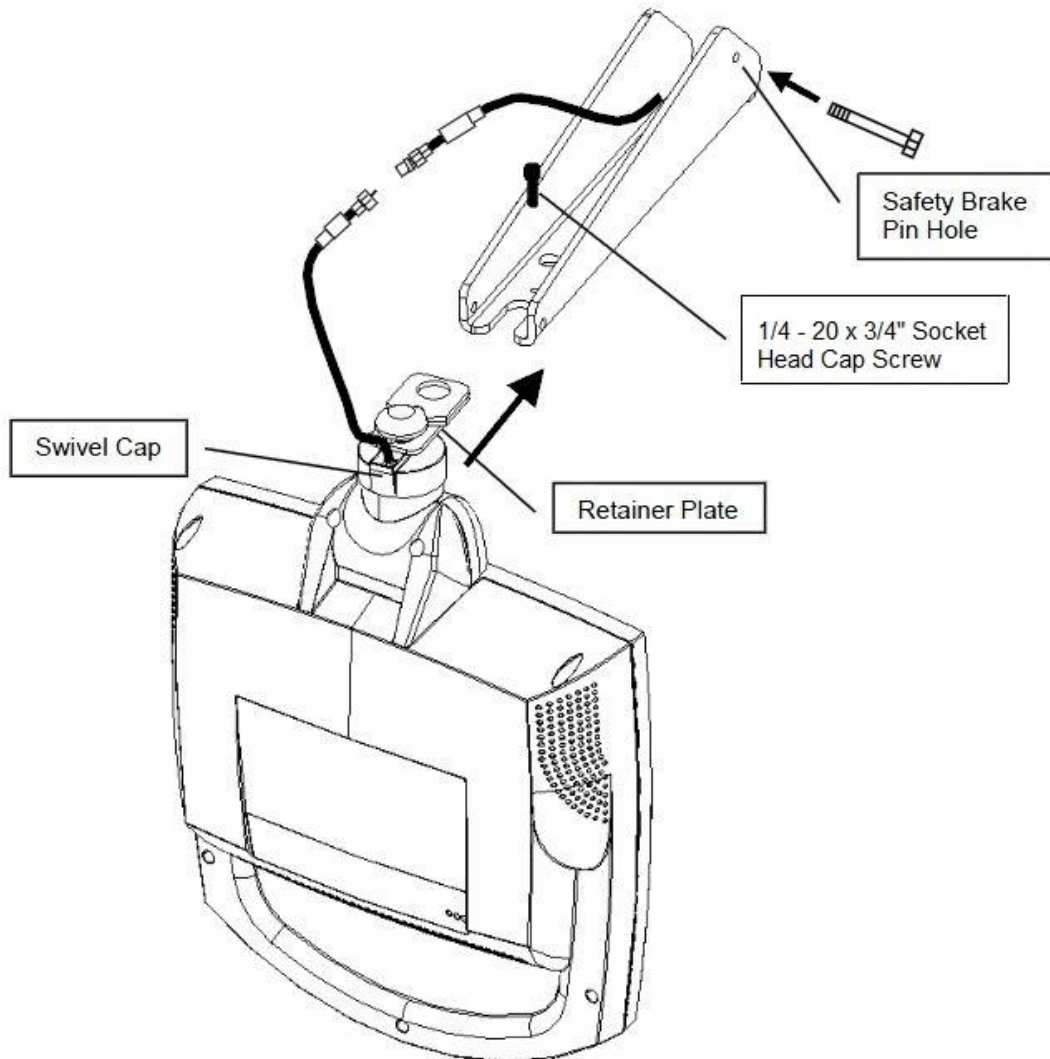


The PERSONA 10 is designed to mount on a wall mounted suspension arm capable of supporting a television weighing 7 pounds. The single coaxial cable on top of the unit is used to supply both low voltage AC or DC power (range 18 to 32 volts) and the RF signal to the television.



DANGER: ARM RECOIL HAZARD. The safety brake pin must remain in the SAFETY BRAKE PIN HOLE whenever the television set is removed from the arm or when the arm is removed from the wall bracket to prevent the arm from springing open.



CAUTION: DO NOT remove the **WHITE PLASTIC CAP** from the TV's swivel assembly. This swivel assembly is factory preassembled and adjusted. There is no need to remove the cap.

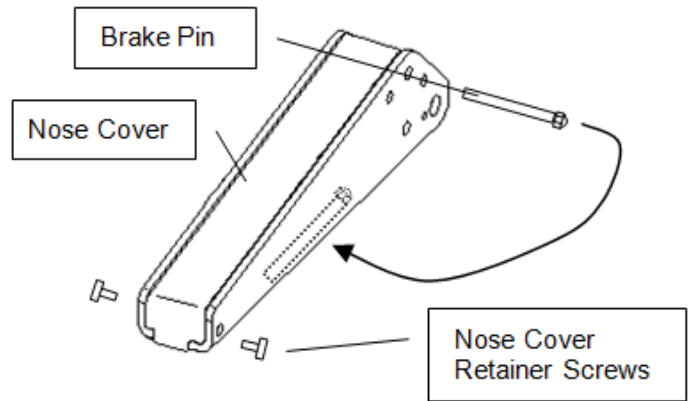
IMPORTANT:

These instructions detail re-installing the PDI-P10LCD TV onto the PDI-508C-7 suspension arm. This arm is configured specifically for this television. The PDI-P10LCD TV may also be installed on other PDI-508C arms. Please contact PDi for detailed instructions for this case.

1. Remove the two nose cover retainer screws. Raise the metal nose cover and slide the television completely into the arm's clevis (slot). The swivel retainer plate should rest inside the nose of the arm and the plastic swivel cap beneath (see picture on previous page).
2. Align the retainer plate's mounting hole over the arm mounting hole. Thread the 1/4 – 20 x 3/4" Socket Head Cap Screw through the retainer plate and into the arm's nose. Tighten.
3. The coax cable in the nose of the arm should be joined with the coax cable from the television. Wrench tighten the connection and cover by sliding the plastic boot sections into mating position.

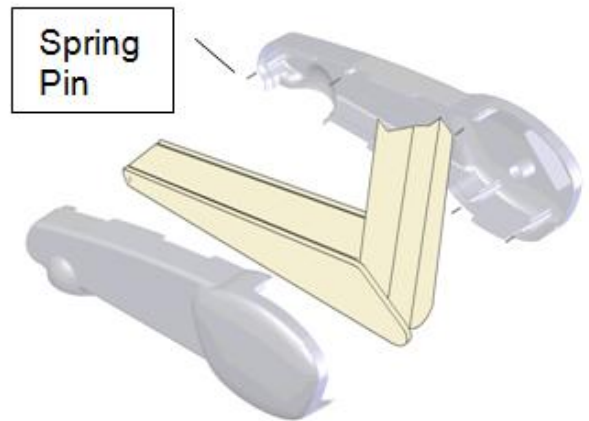


IMPORTANT: Finger only tightening of this cable connection will result in reliability problems weeks or months later. Because the TV draws its power current through this connection, eventually the finger-tightened connection will loosen, develop resistance and prompt a service call. Wrench tighten all "F" fitting connections!



4. Remove the safety brake pin from the parking brake hole, reattach the acorn nut to the pin, and store the assembly inside the nose of the arm by attaching it to the coax cable using the attached plastic clip.
5. Close the metal nose cover onto the nose. Reinstall the two nose cover retainer screws.

6. Optional – Plastic covers may be installed on some arms. Attach the nose cover section as follows:
 - a. Position the Arm Cover halves around the arm's nose section. Align exposed pins with the open holes in the second cover half.
 - b. Squeeze the two halves together. When the halves are properly installed there should only be a thin seam visible where the halves meet.



7. Cycle the arm once or twice to check for free movement. Power the TV and verify correct operation.

END OF INSTRUCTIONS