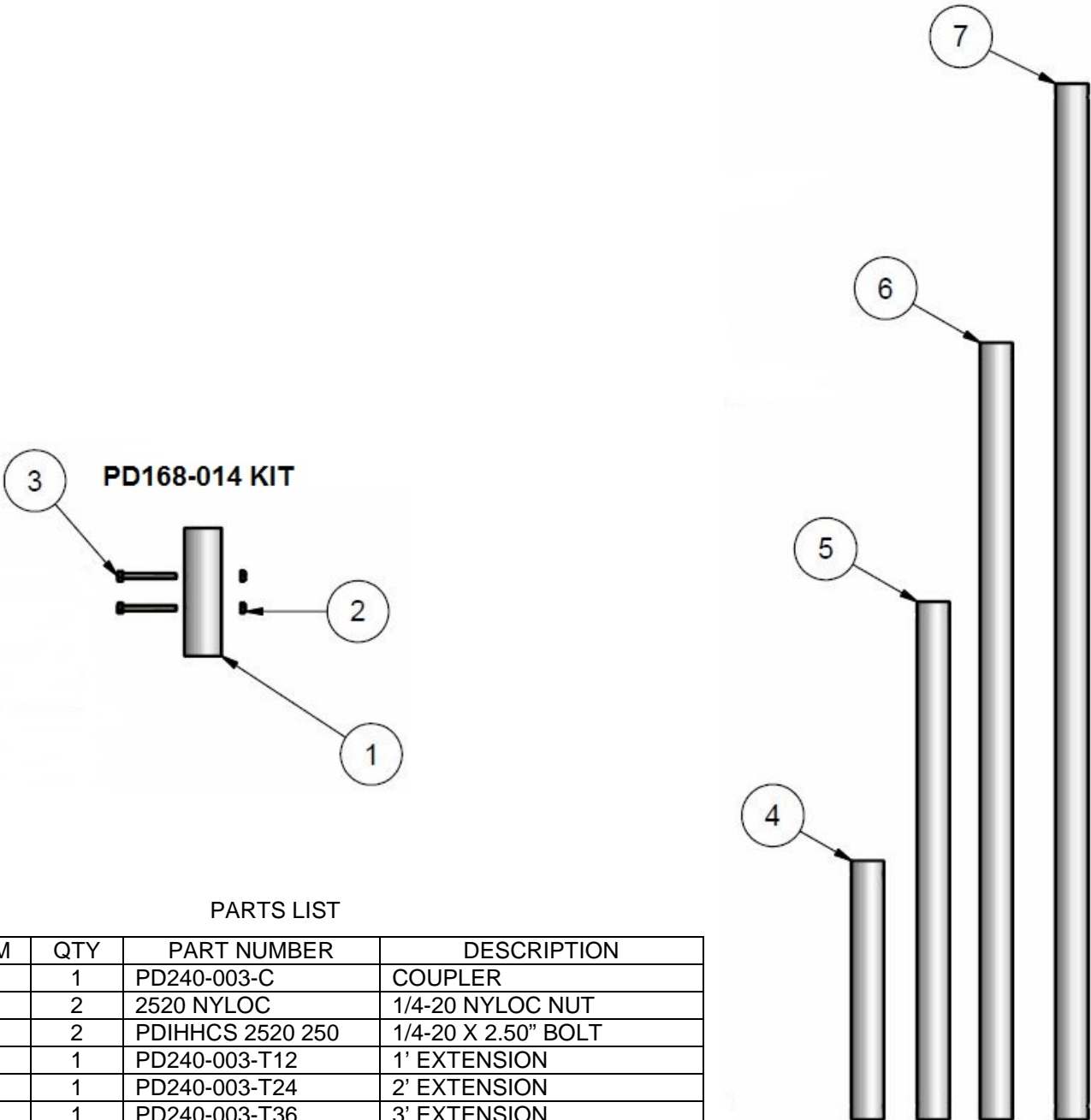


THIS EXTENSION OPTION WILL ALLOW THE LCD GRIDMOUNT TO BE EXTENDED BY 1, 2, 3, OR 4 FEET.

****ONLY ONE EXTENSION SHOULD BE USED PER ASSEMBLY.****

THE DESIRED LENGTH SHOULD BE DETERMINED BEFORE ASSEMBLY OF THE GRIDMOUNT BEGINS.

PD168-014 IS A COUPLER KIT THAT CONTAINS ITEMS # 1, 2, & 3.
 THE EXTENSIONS ARE ORDERED INDIVIDUALLY.

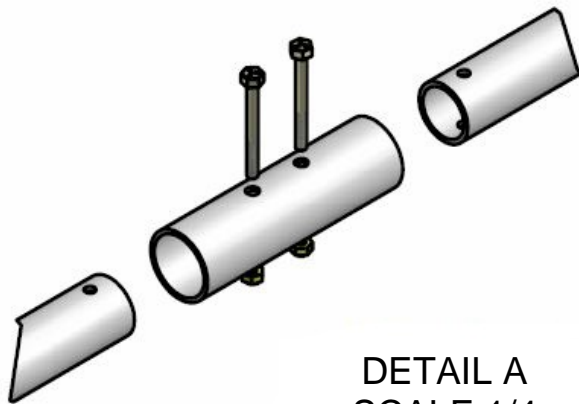
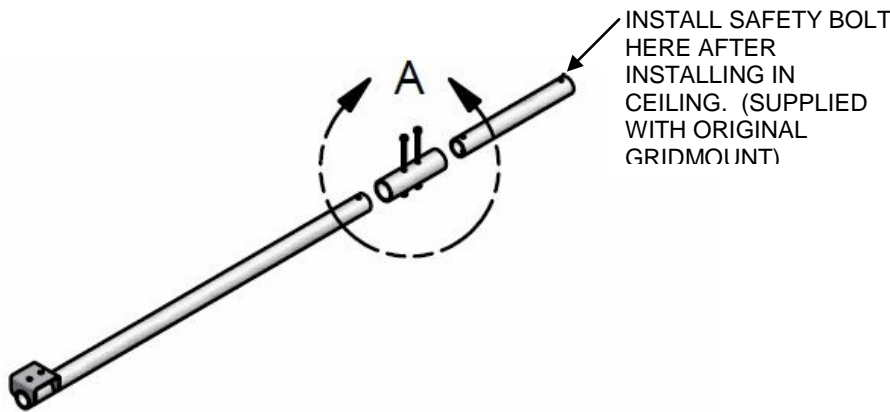


PARTS LIST

ITEM	QTY	PART NUMBER	DESCRIPTION
1	1	PD240-003-C	COUPLER
2	2	2520 NYLOC	1/4-20 NYLOC NUT
3	2	PDIHCS 2520 250	1/4-20 X 2.50" BOLT
4	1	PD240-003-T12	1' EXTENSION
5	1	PD240-003-T24	2' EXTENSION
6	1	PD240-003-T36	3' EXTENSION
7	1	PD240-003-T48	4' EXTENSION

IF THIS EXTENSION OPTION IS TO BE USED ON OLDER ASSEMBLIES, SOME MODIFICATION WILL BE REQUIRED. THE STOCK LCD EXTENSION WILL HAVE TO HAVE A 17/64" HOLE ADDED TO ONE SIDE OF THE TUBE FOR THE NEW COUPLER BOLT (3).

IF POWER CORD IS GOING TO BE INSTALLED THRU TUBE, IT MUST BE THRU THE WHOLE EXTENSION TUBE BEFORE THE COUPLER BOLTS ARE INSTALLED. THE CORD AND CABLE CANNOT BE ROUTED THRU THE EXTENSION TUBE AFTER THE COUPLER BOLTS ARE INSTALLED.



PARTS LIST

ITEM	QTY	PART NUMBER	DESCRIPTION
1	1	PD240-003-C	COUPLER
2	2	2520 NYLOC	1/4 -20 NYLOC NUT
3	2	PDIHCS 2520 250	1/4 -20 2.50" BOLT
A	1	PD240-003	LCD EXTENSION STOCK
B	1	PD240-003-TXX	LCD EXTENSION

