 <b>PDi</b> <small>Communication Systems, Inc.</small> <i>A Leader in Patient Communication Solutions®</i>	MODEL NUMBER: <b>PD251-035 Side Mount          DVD Bracket for 42" &amp; 43" ELED TV'S</b>	Document Number: PD196-307R6
	Installation Instructions	Page 1 of 7

**Scope:**

To install a side mount DVD bracket to a 42" (plastic or metal) or 43" LED TV using a **PD168-033** wall mount kit (Not Included) or a table mounted LED TV. These mounts may be installed to the left or right side of the TV's. (Your product may vary slightly in appearance from item shown)

**Tool List:**

1. Safety glasses/goggles
2. P1 or P2 Phillips screwdriver

**Safety Steps:**

1. Always wear safety glasses/goggles to prevent injury from debris.
2. Follow the installation/removal instructions for your existing products.

**Supplied Parts List:**

ITEM	QTY	PART NUMBER	DESCRIPTION
1	1	PD181-774	Side Mount DVD Bracket
2	1	PD181-771	Adaptor Bracket
3	1	PDISEMSM3X55	M3-.5 PPHMS Screw with Ext Tooth Washer
4	2	PDIPPHMSM4X76	M4 X .7 X 6MM Phillips Head Screws
5	1	PD106-776R	15 to 26 pin cable
6	2	PDIPPHMSM6X110	M6 X 1.0 X 10MM Philips Head Screws
7	2	PDIPPHMSM5X810	M5 X 0.8 X 10MM Philips Head Screws

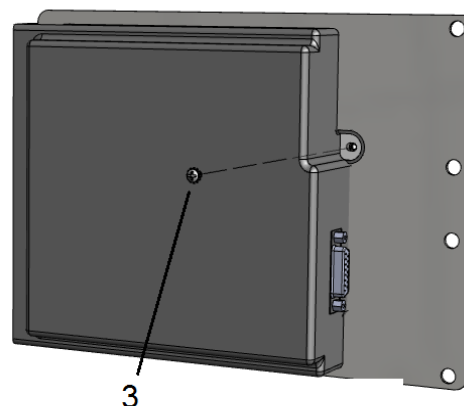
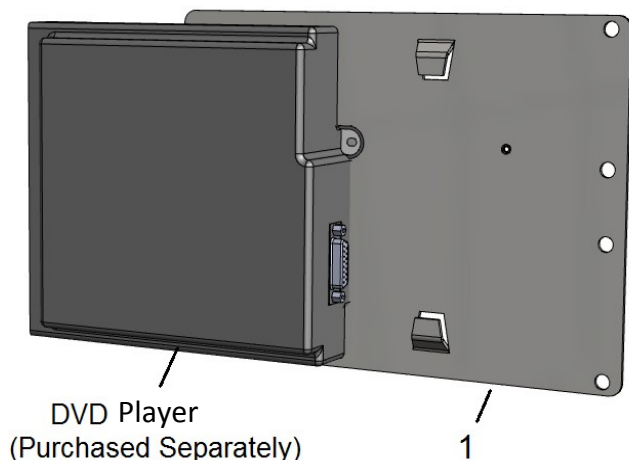
**PROCEDURE:**



**The DVD player must be securely attached to the bracket before attaching the bracket to the TV assembly. The DVD player will fall if not secured.**

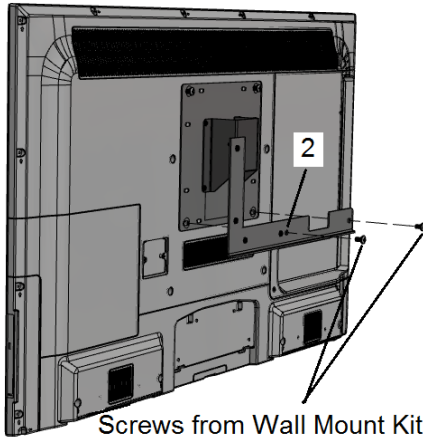
**Step 1 Wall and Table Mount:**

Slide DVD player (purchased separately) through tabs on DVD mounting bracket PD181-774 (1) as shown. Secure with PDISEMSM3X55 screw (3).



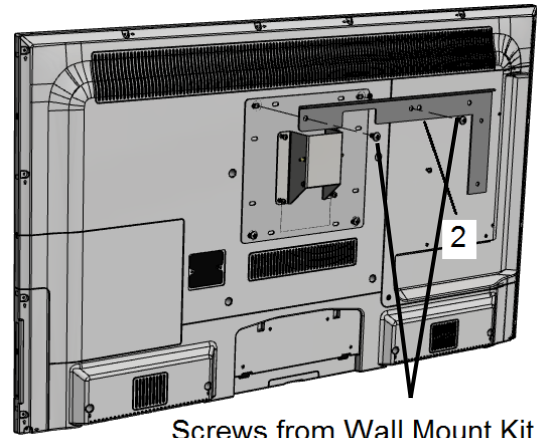
**Step 2 Wall Mount:**

Remove two bottom or top PDIPPHMSM6X110 (for 42" TV) and PDIPPHMSM5X810 (for 43" TV) screws from wall mount kit plate (depending on desired side) and place PD181-771 (2) adapter bracket to plate and re-secure with same screws.

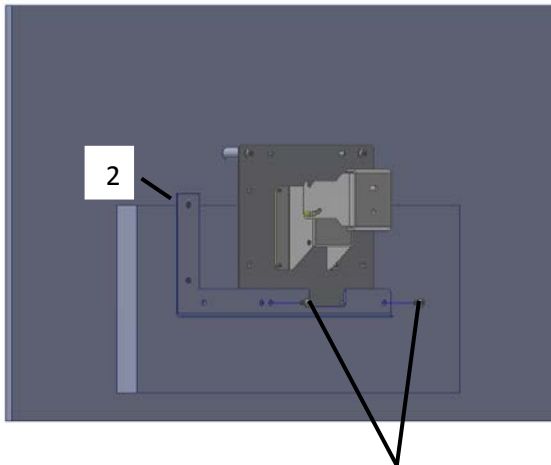


**42" Plastic TVs**

Screws from Wall Mount Kit  
 Left Mount

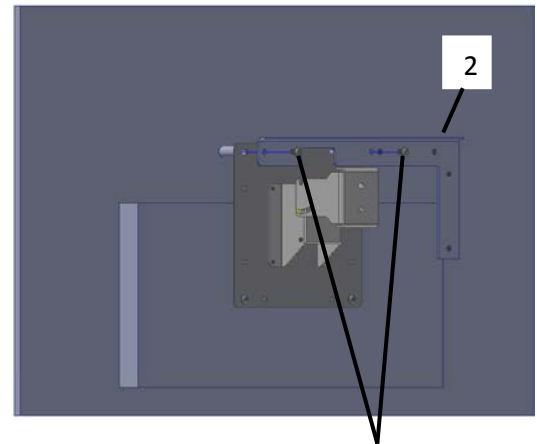


Screws from Wall Mount Kit  
 Right Mount

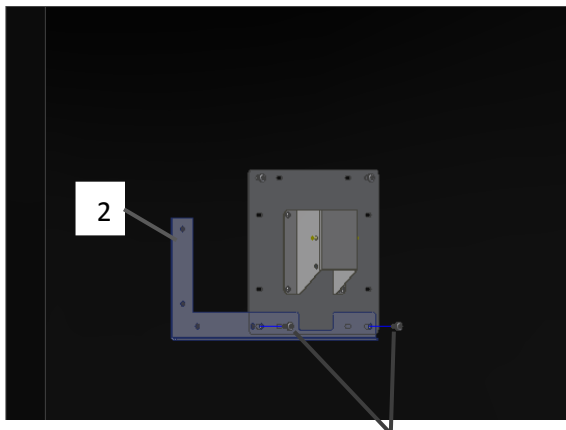


**42" Metal TVs**

Screws from Wall Mount Kit  
 Left Mount

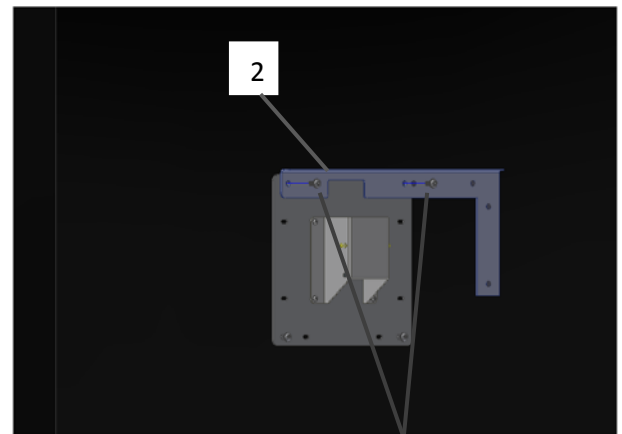


Screws from Wall Mount Kit  
 Right Mount



**43" Plastic TVs**

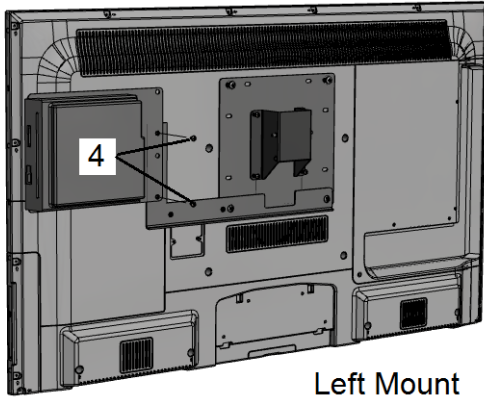
Screws from Wall Mount Kit  
 Left Mount



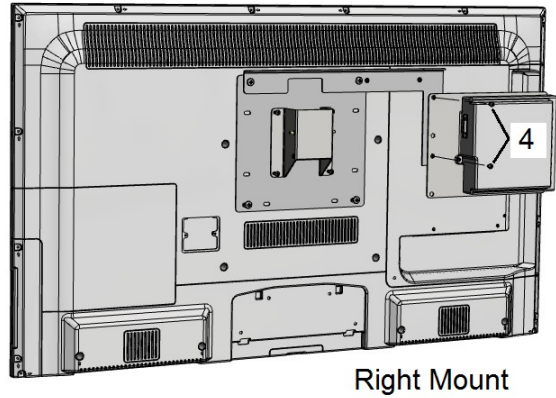
Screws from Wall Mount Kit  
 Right Mount

**Step 3 Wall Mount:**

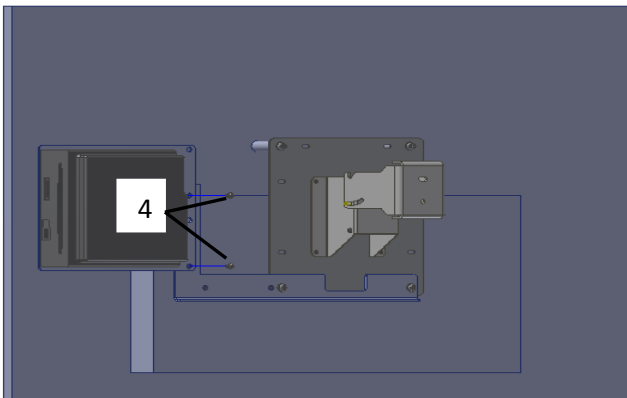
Secure the DVD bracket assembly to the PD181-771 adapter bracket with two PDIPPHMSM4X76 screws (4).



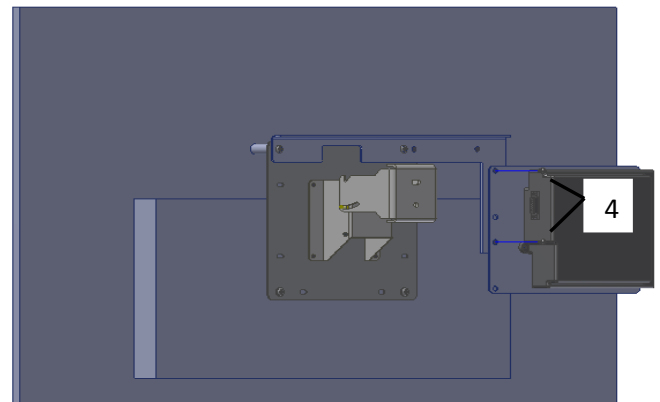
42" Plastic TVs



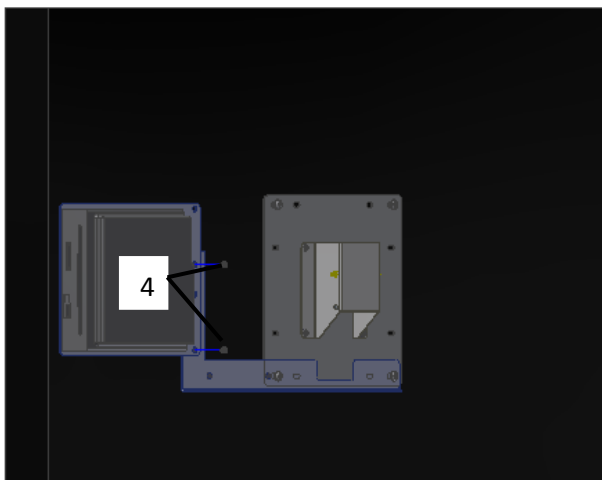
Right Mount



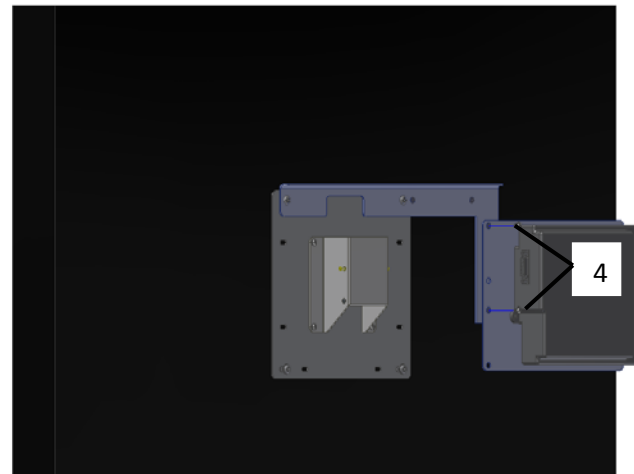
42" Metal TVs



Right Mount



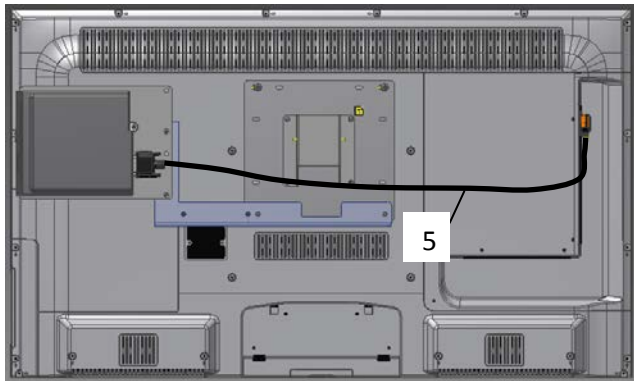
43" Plastic TVs



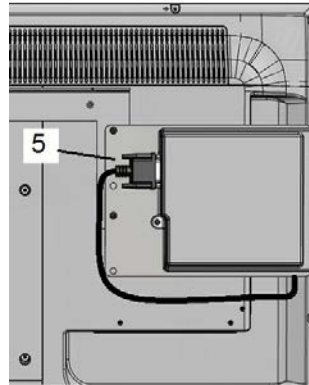
Right Mount

**Step 4 Wall Mount:**

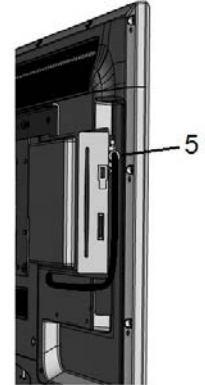
Make connections with cable PD106-776R (5) from DVD module to television as shown. Mount TV to wall using installation instructions for your specific product.



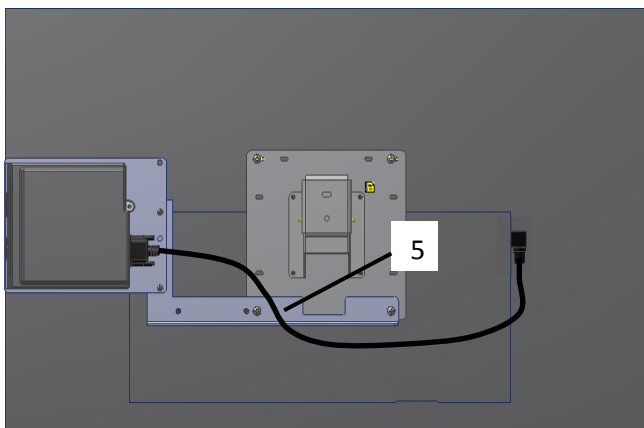
Left Mount



**42" Plastic TVs**

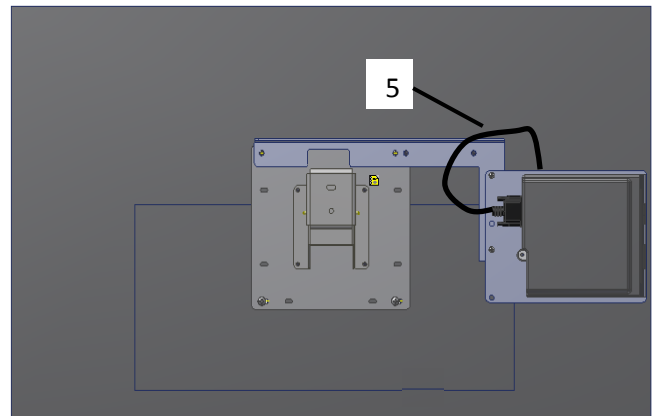


Right Mount

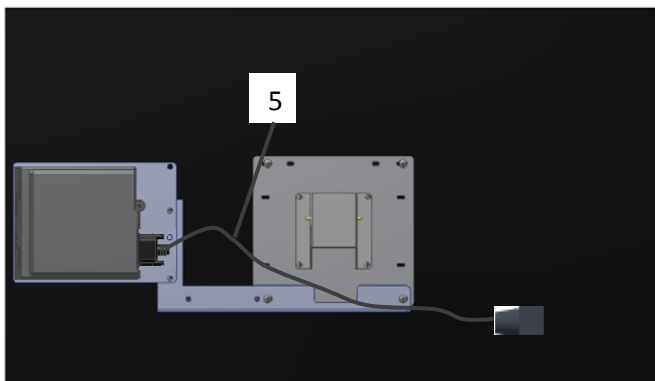


Left Mount

**42" Metal TVs**

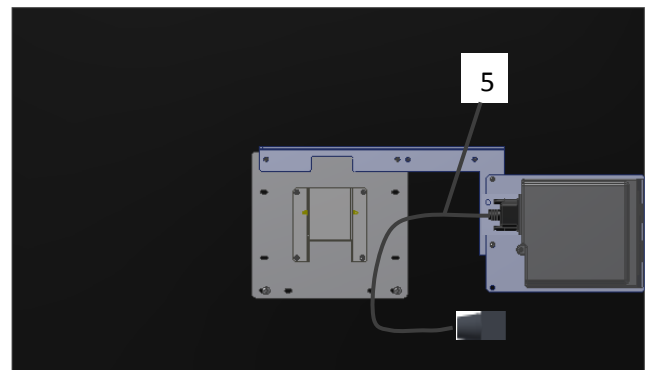


Right Mount



Left Mount

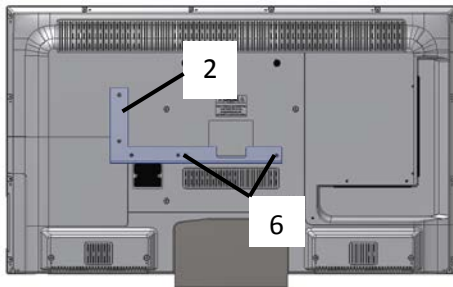
**43" Plastic TVs**



Right Mount

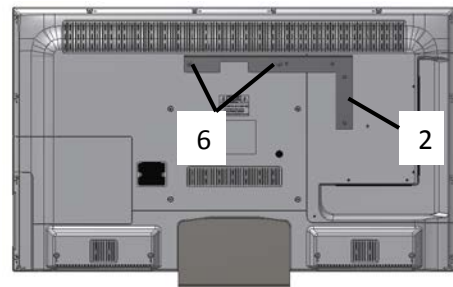
**Step 1 Table Mount:**

Place PD181-771 (2) adapter bracket to plate and secure with two PDIPPHMSM6X110 (for 42" TV) and PDIPPHMSM5X810 (for 43" TV) screws items (6) and (7).

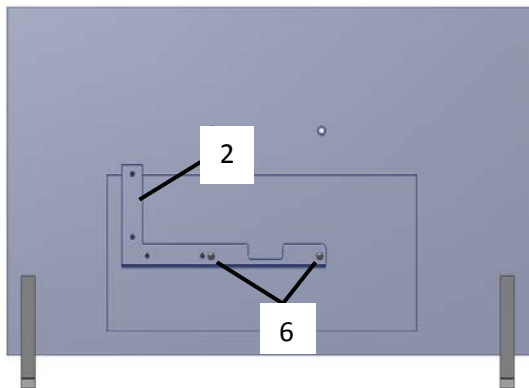


Left Mount

**42" Plastic TVs**

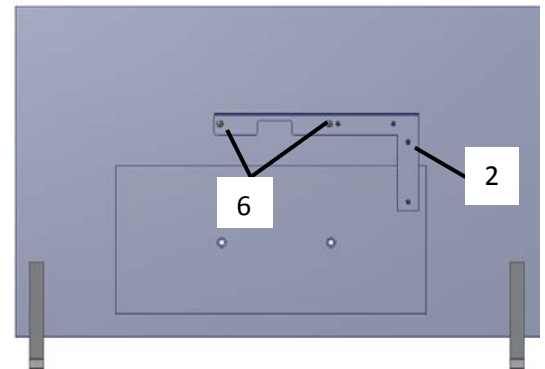


Right Mount

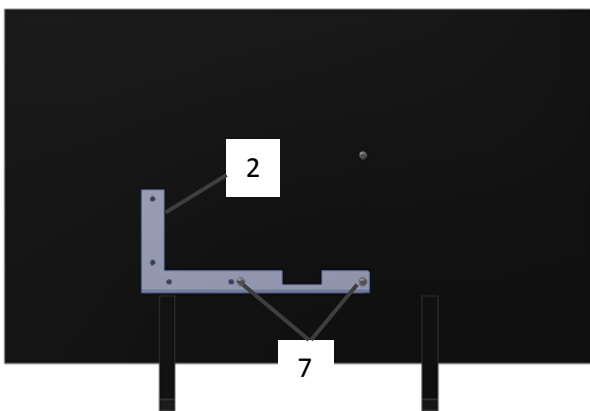


Left Mount

**42" Metal TVs**

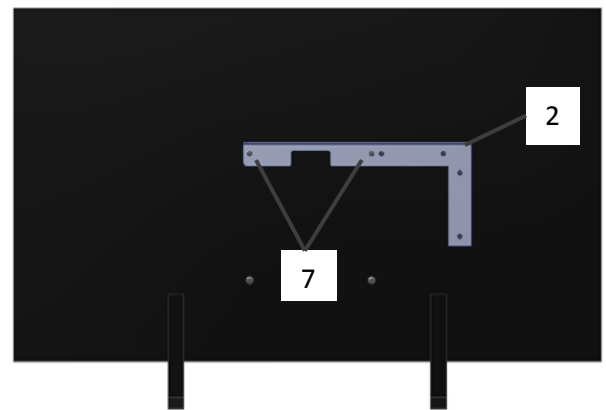


Right Mount



Left Mount

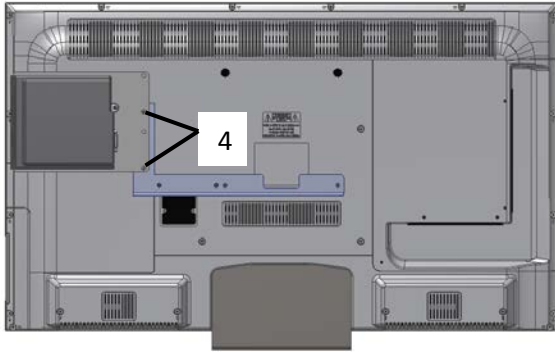
**43" Plastic TVs**



Right Mount

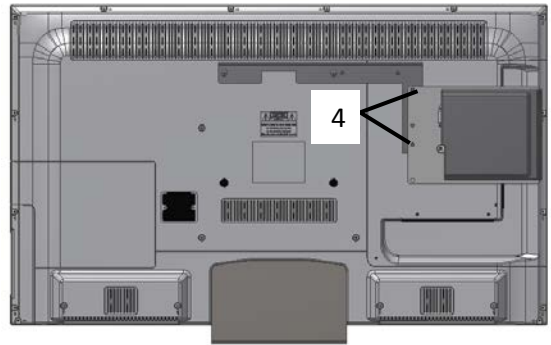
**Step 2 Table Mount:**

Secure the DVD bracket assembly to the PD181-771 adapter bracket with two PDIPPHMSM4X76 screws (4).

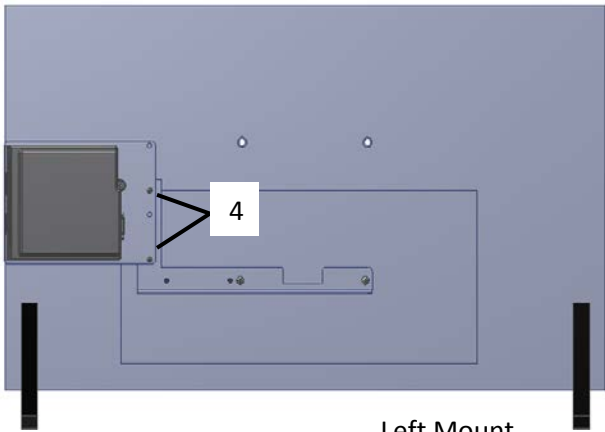


**42" Plastic TVs**

Left Mount

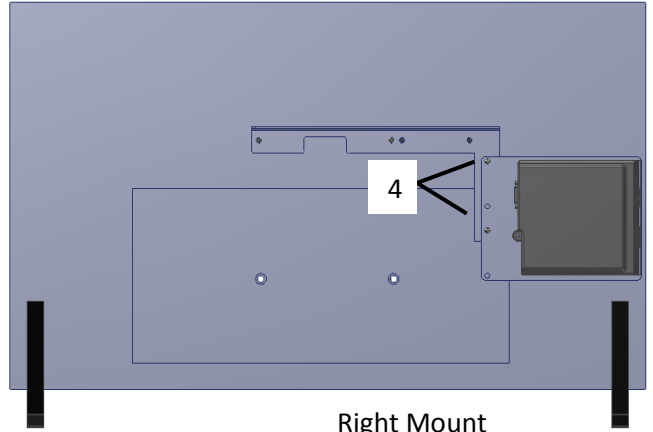


Right Mount

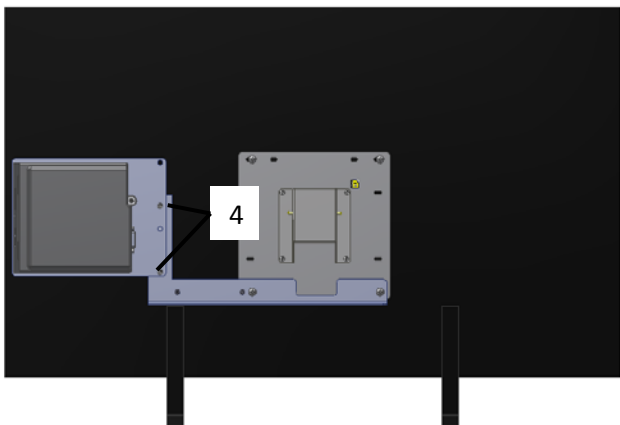


**42" Metal TVs**

Left Mount

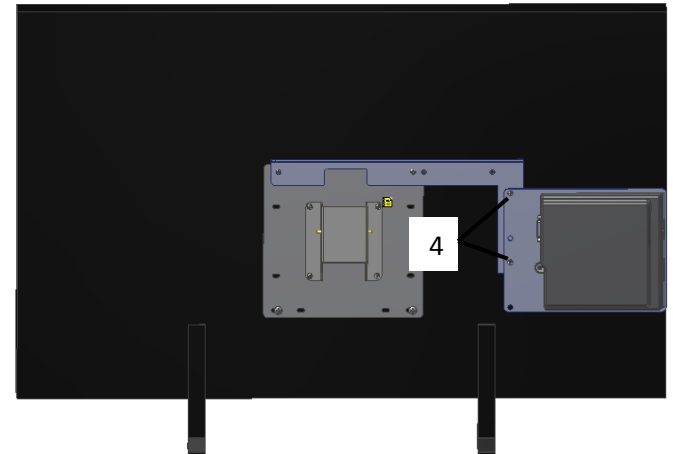


Right Mount



**43" Plastic TVs**

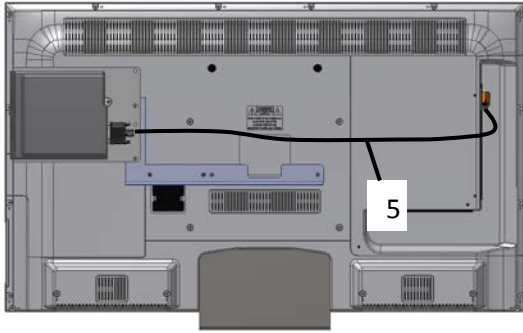
Left Mount



Right Mount

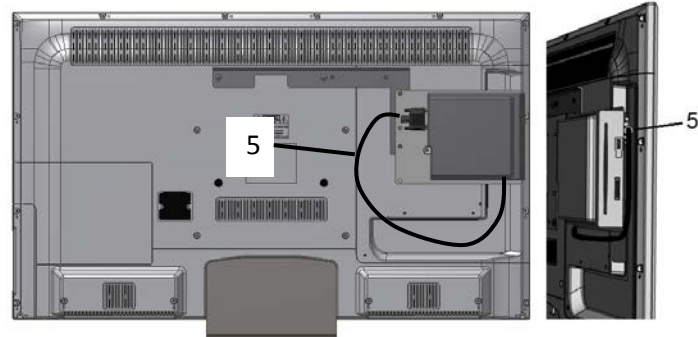
**Step 3 Table Mount:**

Make connections with cable PD106-776R (5) from DVD module to television as shown.

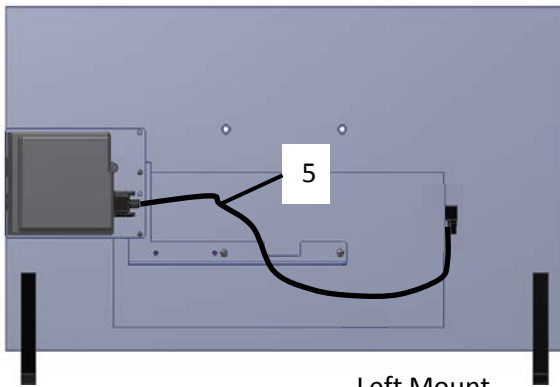


Left Mount

**42" Plastic TVs**

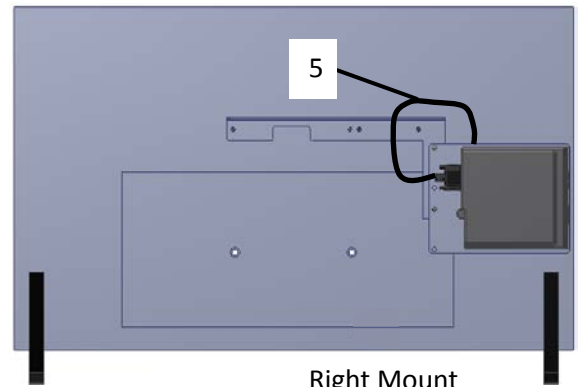


Right Mount

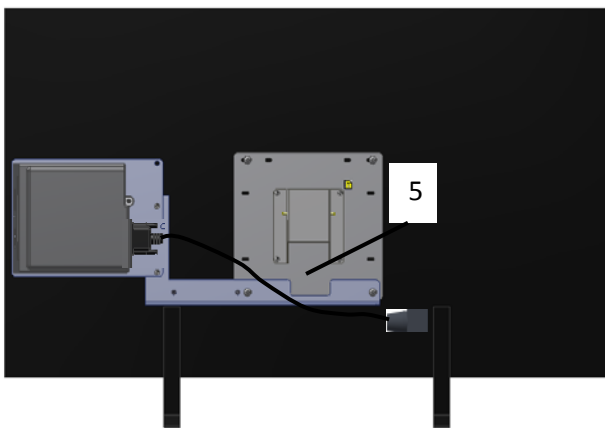


Left Mount

**42" Metal TVs**

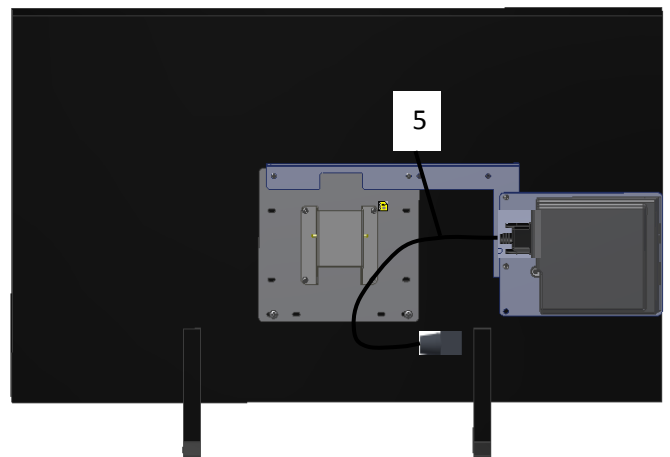


Right Mount



Left Mount

**43" Plastic TVs**



Right Mount