

 PDi Communication Systems, Inc. A Leader in Patient Communication Solutions®	MODEL NUMBER: PD251-042 Bottom DVD Mount for 42" and 43" LED TV	Document Number: PD196-324R4
	Installation Instructions	Page 1 of 6

Scope:

To install a bottom mount DVD bracket to a 42" metal cabinet or a 43" plastic cabinet wall mounted LED TV using a PD181-707, PD181-776 + PD181-772 or PD168-033 wall mount kits (not included). This may also be used with other standard 200mm X 200mm VESA mounting bracket kits. Follow the instructions supplied with your wall bracket kit along with DVD mount kit to properly mount the TV with DVD.

Tool List:

1. Safety glasses/goggles
2. P1 or P2 Phillips screwdriver

Safety Steps:

1. Always wear safety glasses/goggles to prevent injury from debris.
2. Follow the installation/removal instructions for your existing products.

Supplied Parts:

ITEM	QTY	PART NUMBER	DESCRIPTION
1	1	PD181-770	DVD Module Bracket
2	1	PDISEMSM3X55	M3-.5X5mm Screws
3	1	PD181-807	Adapter Bracket
4	2	PDIPPHMSM4X76	M4-.7X6mm Screws
5	1	PD106-776R	15 to 26 pin 36" cable

Procedure:



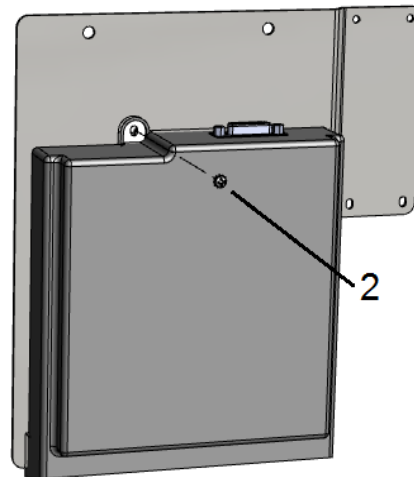
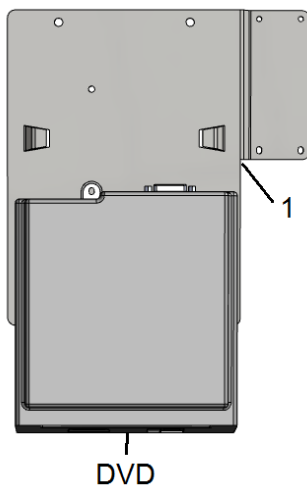
This bracket is a new design. The DVD player must be securely attached to the bracket before attaching the bracket to the TV assembly. The DVD player will fall if not secured.



AC line power to the TV must be unplugged before installation.

Step 1 (New Installation):

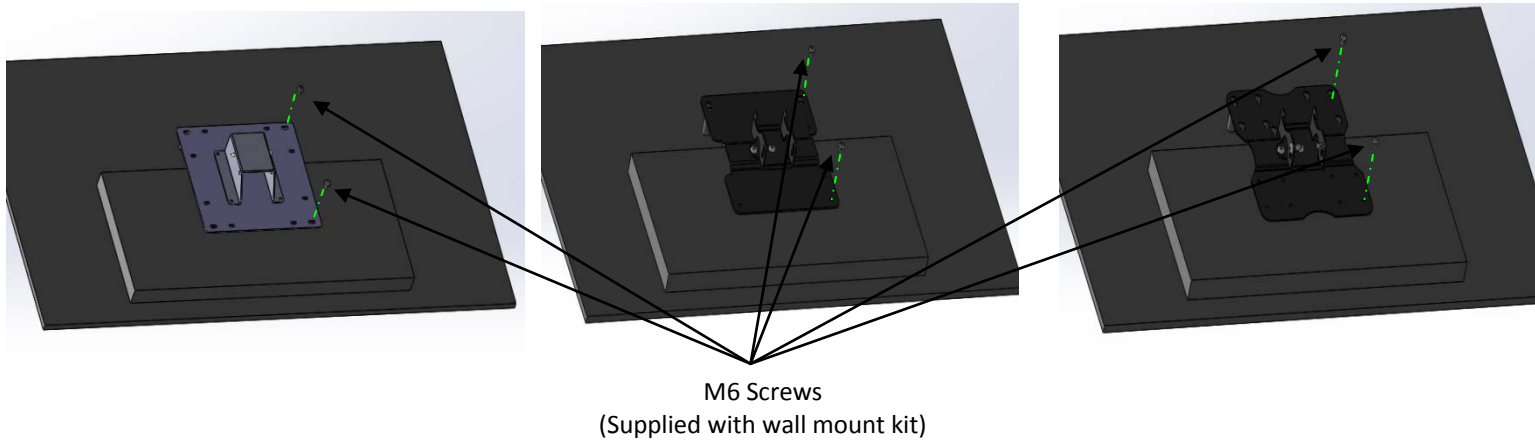
Slide DVD player (purchased separately) through tabs on DVD mounting bracket PD181-770 (1) as shown. Secure with PDISEMSM3X55 screw (2).



Step 2 (New Installation):

Follow instructions supplied with PD181-707 / PD181-776 + PD181-772 / PD168-033 wall mount kits for attaching the plate to TV. Install right hand side **M6 (for 42" TV) and M5 (for 43" TV)** screws supplied with that kit and attach the plate to TV.

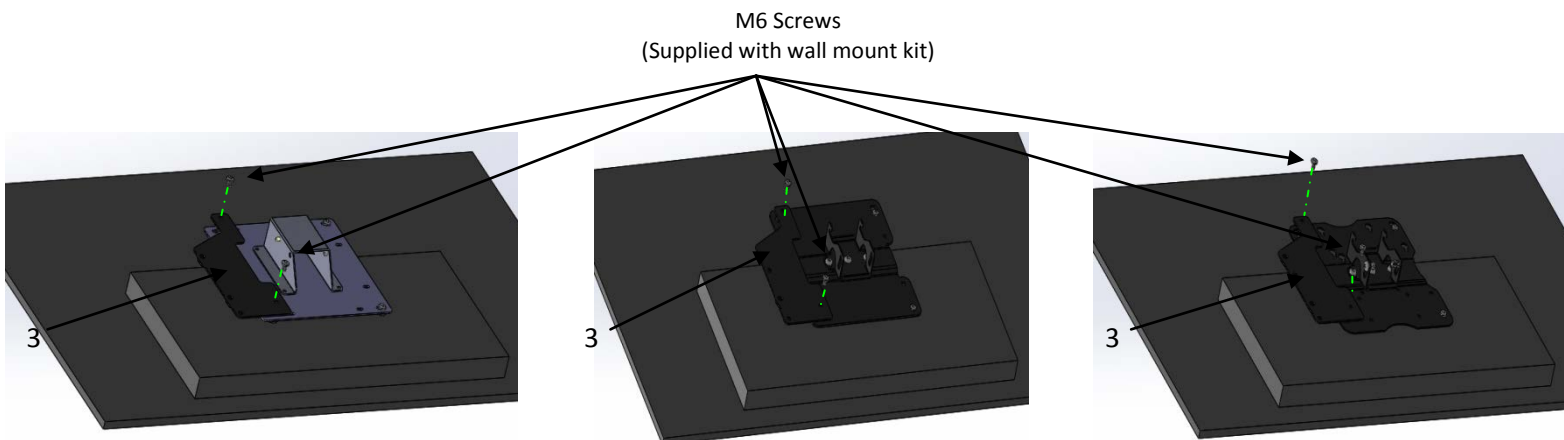
Metal E42 shown for reference

**Step 3 (New Installation):**

Install PD181-807 adapter bracket (3) on top of the plate using the left hand side **M6 (for 42" TV) or M5 (for 43" TV)** mounting screws.

Tighten all four M5 or M6 mounting screws.

Metal E42 shown for reference

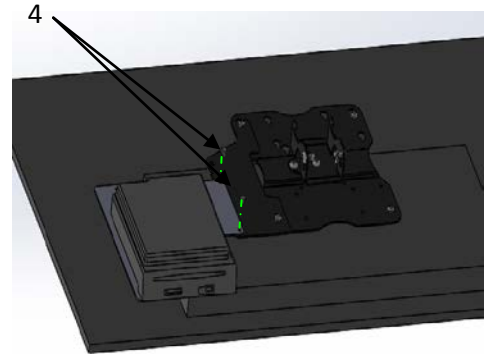
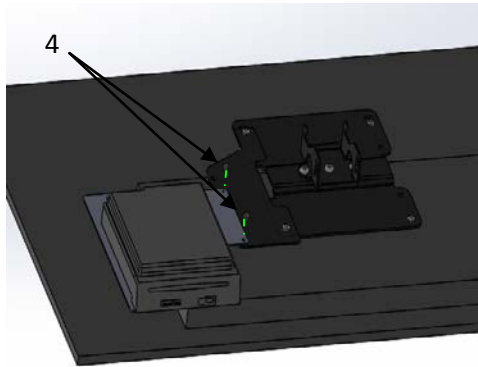
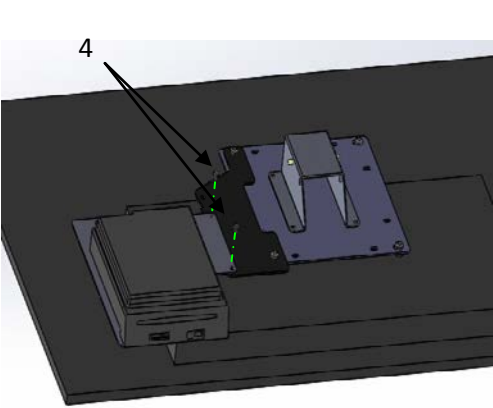


	MODEL NUMBER: PD251-042 Bottom DVD Mount for 42" and 43" LED TV	Document Number: PD196-324R4
	Installation Instructions	Page 3 of 6

Step 4 (New Installation):

Attach DVD/mounting bracket assembly to PD181-807 bracket using two PDIPPHMSM4X76 screws (4) as shown.

Metal E42 shown for reference

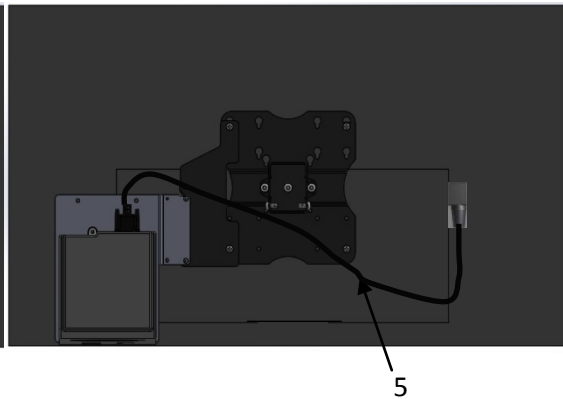
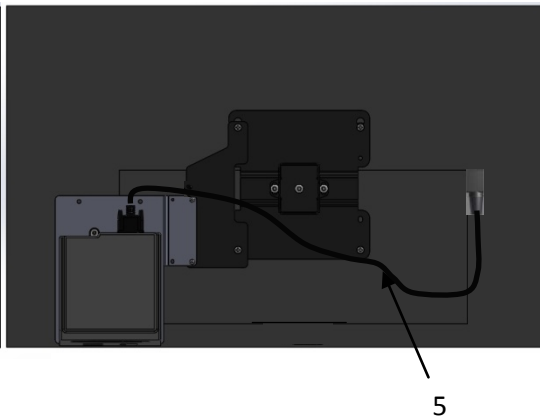
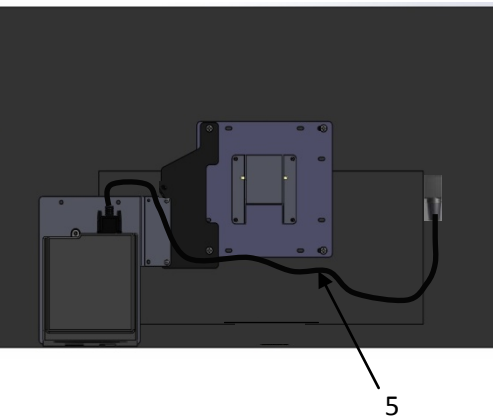


Step 5 (New Installation):

Make connections with cable PD106-776R (5) from DVD module to television.

Mount TV to wall using installation instructions for your specific product.

Metal E42 shown for reference



	MODEL NUMBER: PD251-042 Bottom DVD Mount for 42" and 43" LED TV	Document Number: PD196-324R4
	Installation Instructions	Page 4 of 6

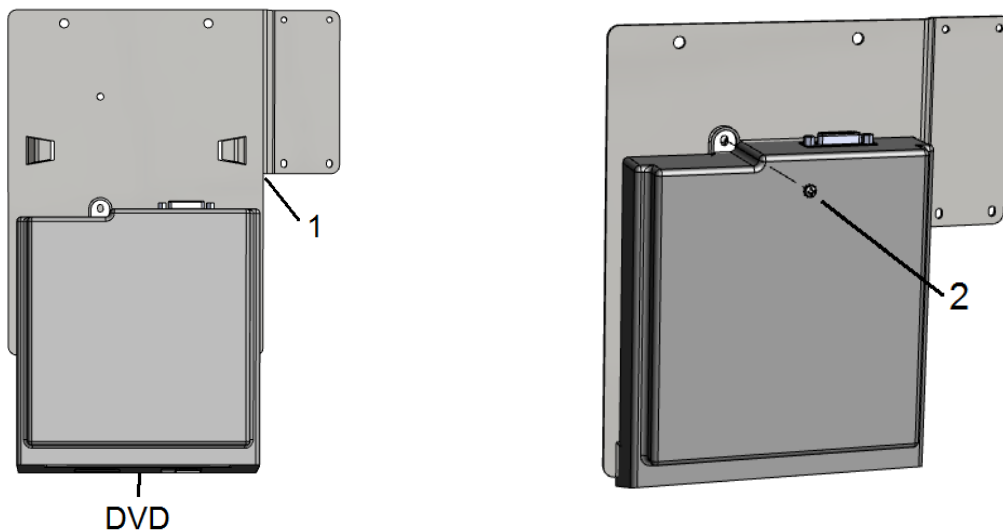
Procedure:



This bracket is a new design. The DVD player must be securely attached to the bracket before attaching the bracket to the TV assembly. The DVD player will fall if not secured.

Step 1 (Existing Installation):

Slide DVD player (purchased separately) through tabs on DVD mounting bracket PD181-770 (1) as shown. Secure with PDISEMSM3X55 screw (2).

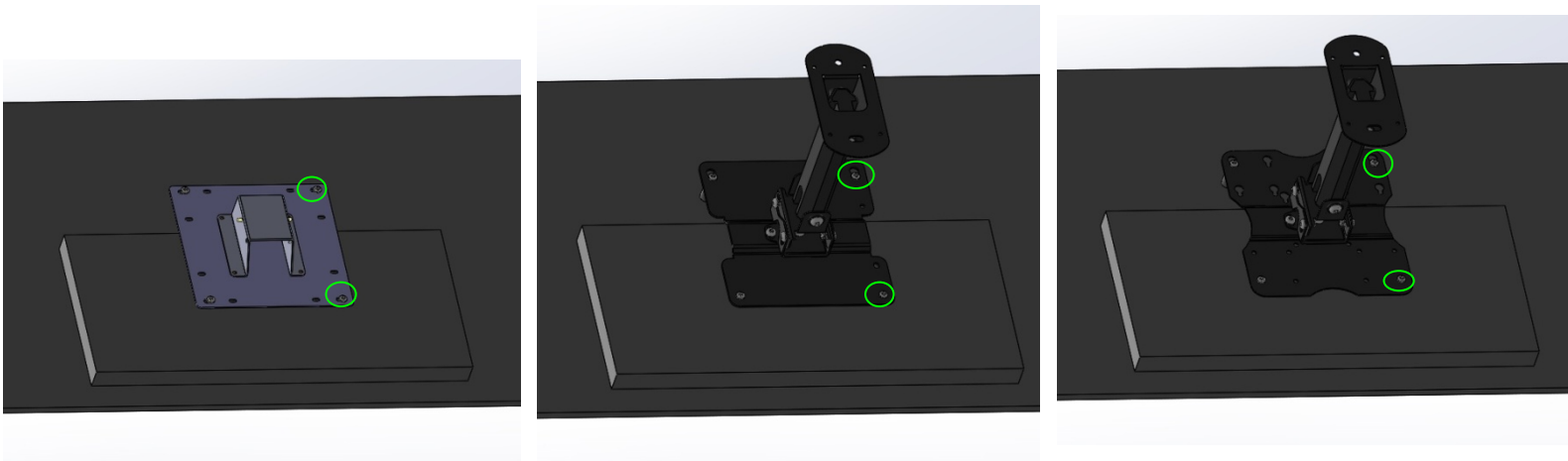


DVD

Step 2 (Existing Installation):

Loosen, but do not remove, the (2) right hand side M6 or M5 screws supplied with the kit that attaches the plate to TV.

****Metal E42 shown for reference****





Communication Systems, Inc.
A Leader in Patient Communication
Solutions®

MODEL NUMBER:
PD251-042 Bottom DVD Mount for
42" and 43" LED TV

Document Number:
PD196-324R4

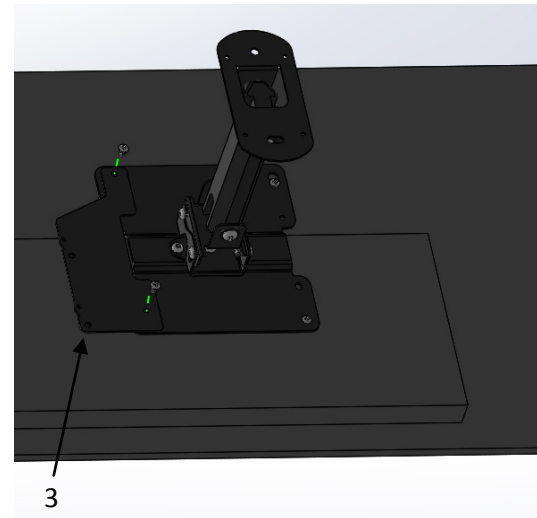
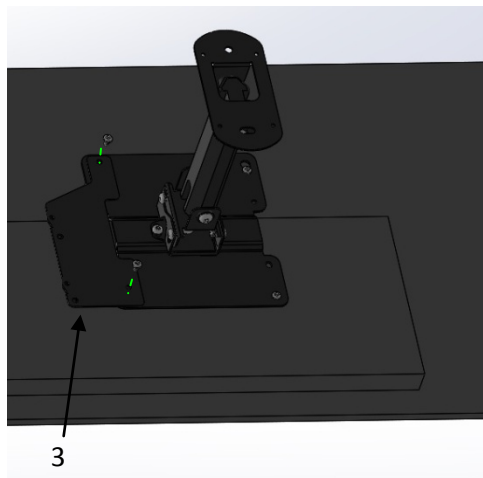
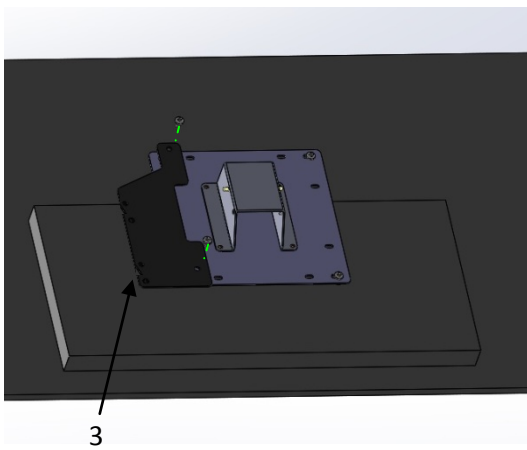
Installation Instructions

Page 5 of 6

Step 3 (Existing Installation):

Install PD181-807 adapter bracket (3) on top of the TV mount plate by first removing the top M6 or M5 screws and then reinstalling it through the bracket and then repeat for the bottom. Tighten the all M6 or M5 mounting screws once adapter bracket in place.

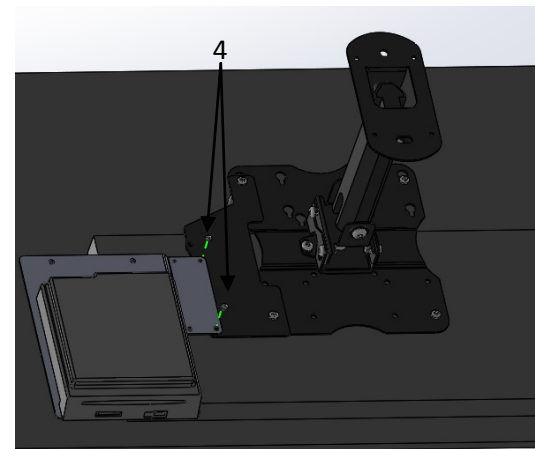
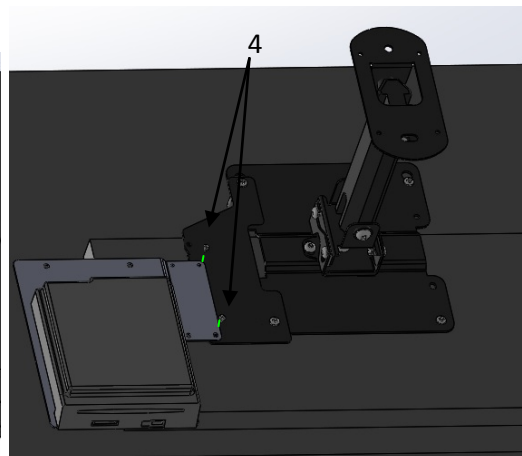
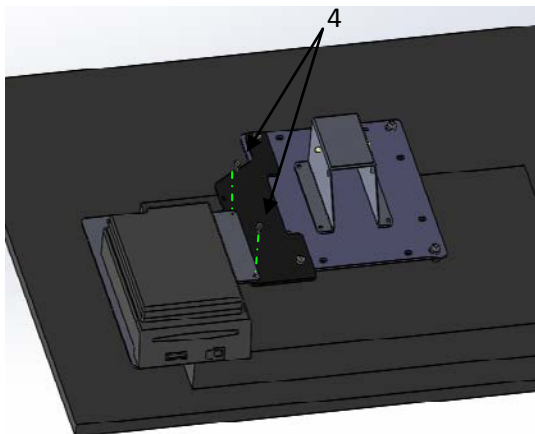
Metal E42 shown for reference




Step 4 (Existing Installation):

Attach DVD/mounting bracket assembly to PD181-807 bracket using two PDIPPHMSM4X76 screws (4) as shown.

Metal E42 shown for reference



 PDi Communication Systems, Inc. <i>A Leader in Patient Communication Solutions®</i>	MODEL NUMBER: PD251-042 Bottom DVD Mount for 42" and 43" LED TV	Document Number: PD196-324R4
	Installation Instructions	Page 6 of 6

Step 5 (Existing Installation):

Make connections with cable PD106-776R (5) from DVD module to television.

Mount TV to wall using installation instructions for your specific product.

****Metal E42 shown for reference****

