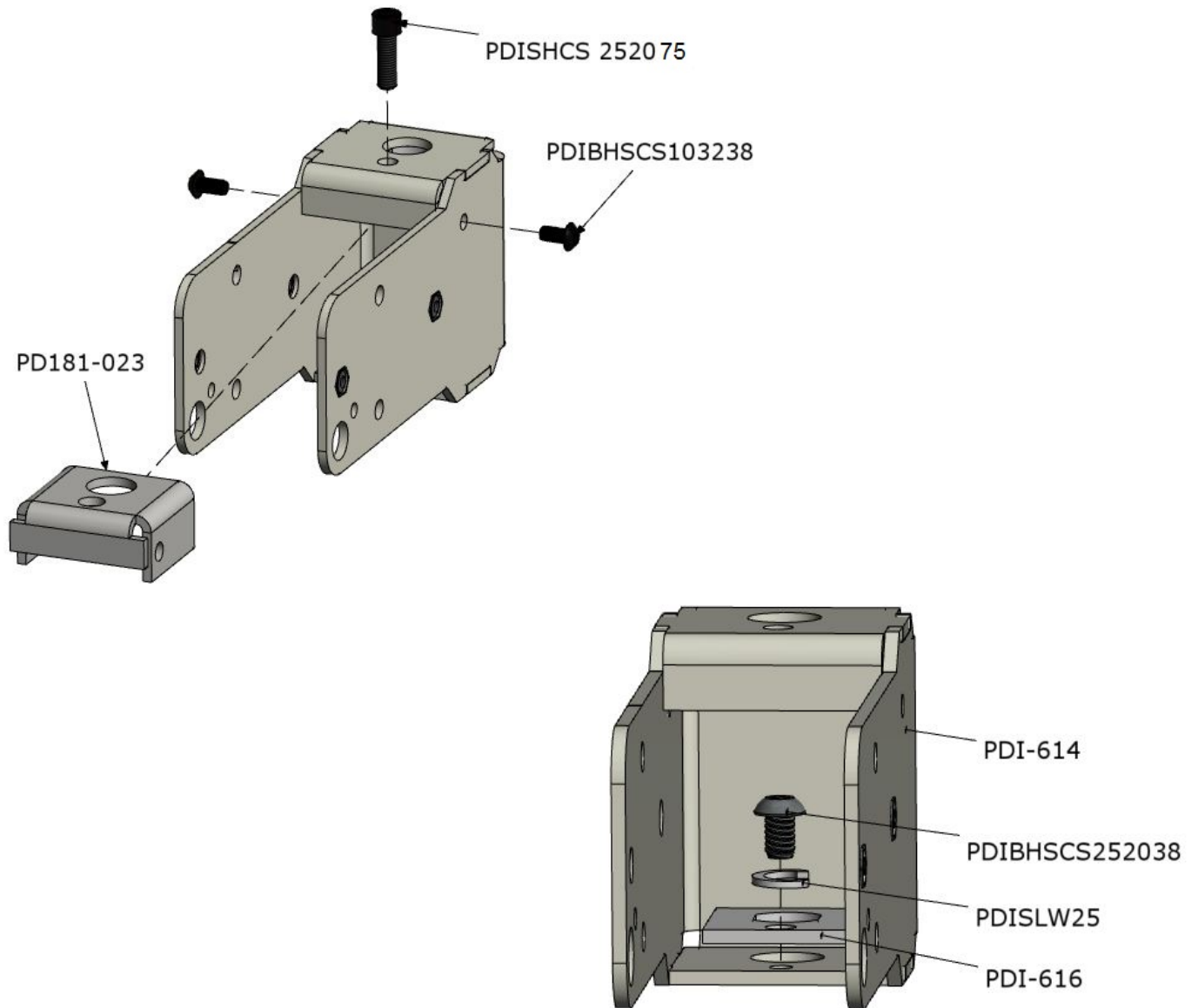


STEP 1 "AA" SERIES ARM: REMOVE AND DISCARD THE FOLLOWING PIECES.

1. The PDI-614 base is shown without the rest of the arm attached, to clarify the view.
2. Do not remove the PDI-614 base from the arm.



STEP 2 “AB” SERIES ARM: INSTALL NEW PARTS

Place the **PDI-616**, base pin lock plate, into the **PDI-614** base as pictured and secure with (1) **PDIBHSCS252062** screw and (1) **PDINILN2520** ¼” nylon insert lock nut.

Verify proper installation alignment, of the **PDI-616** with the top 5/8” diameter basepin hole of the **PDI-614**, by using a **PDI-617** base pin.

Install the **PDI-617** base pin using **PDIBHSCS252062** screw, **PDISLW25** washer, and (2) **PDIFW25** washers as pictured, thru the top flange of the **PDI-614**. Tighten to 60 lbs-in.

