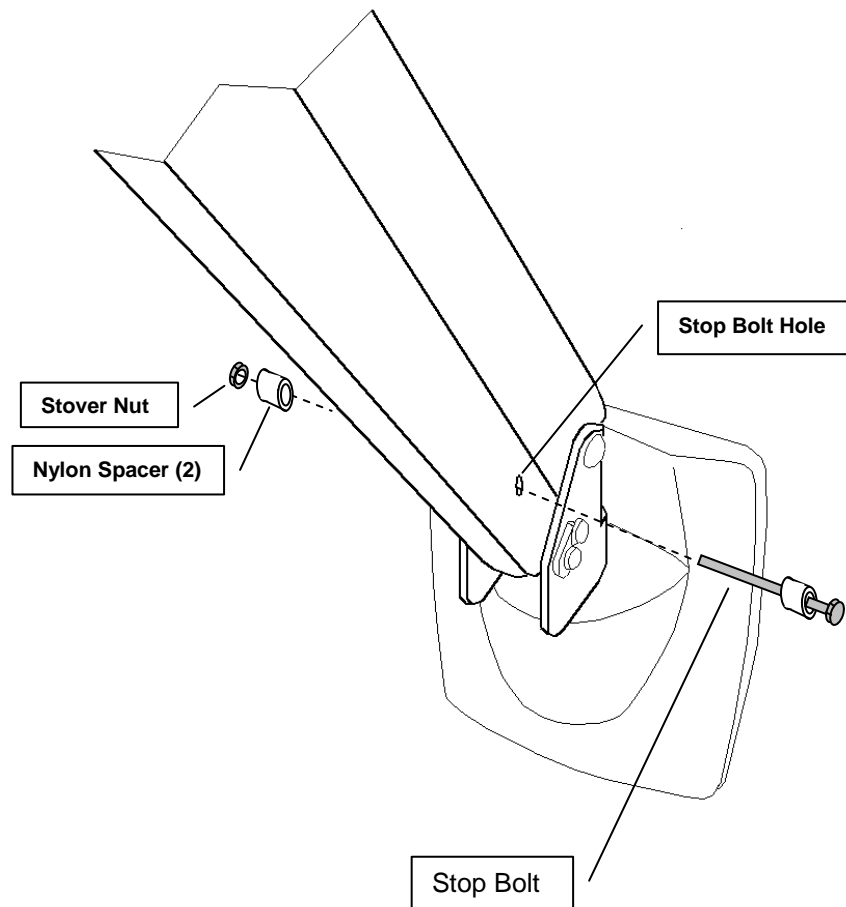


### **INTRODUCTION**

The PDI-267 Vertical Stop Kit is designed to provide additional wall clearance for the 500 Series arm and PDI-233 Vertical Stop Kit will provide additional clearance for the 400 Series support arm when in the folded position. Increased clearance is particularly helpful to allow the arm to be installed beneath a head wall light or other obstruction.

### **INSTALLATION**

1. With the arm installed in the wall bracket, pull the arm forward away from the wall to expose the Stop Bolt Hole.
2. Thread a Nylon Spacer onto the stop bolt. Fit the bolt into the Stop Bolt Hole.
3. Fit the remaining Nylon Spacer onto the bolt end and secure with the Stover Nut provided.
4. Cycle the arm and verify correct operation and improved wall clearance.

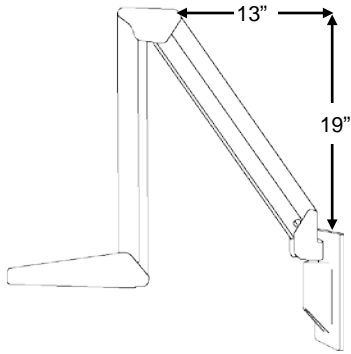


**NOTE:** Larger diameter nylon spacers are available to provide increased wall clearance. Please refer to Page 2 of this instruction sheet for details. (These may interfere with plastic base covers)

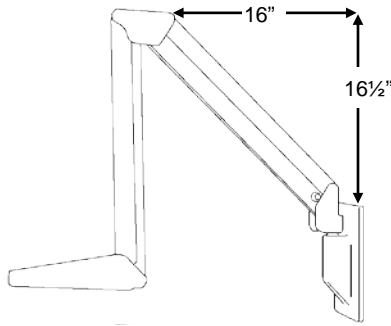
**ORDERING INFORMATION**

Please order PDI-267 or PDI-233 for the amount of travel limit needed, per the diagrams below.

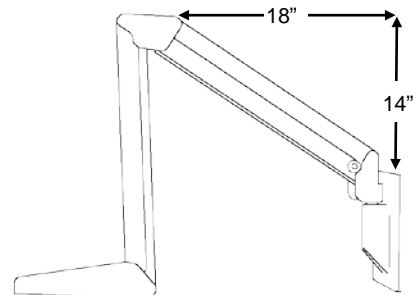
500 Series Arm (Example 508)



PDI-267 W/104 L

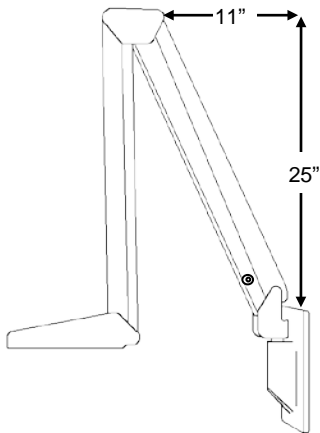


PDI-267-75 W/104 ¾"

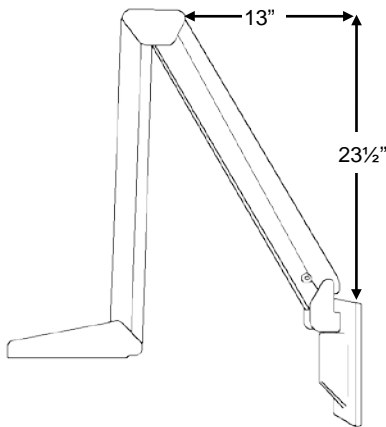


PDI-267-1 W/104 1"

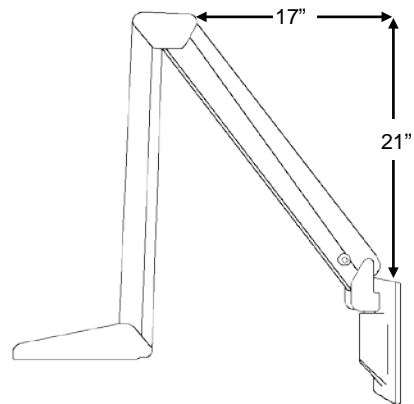
405 Series Arm



PDI-233 W/104 L



PDI-233-75 W/104 ¾"



PDI-233-1 W/104 1"