 PDI Communication Systems, Inc. <i>Your Source for Healthcare and Wellness Infotainment™</i>	MODEL NUMBER: PD168-033	Document Number: PD196-141R8
	200mm VESA Compliant Wall Mount Kit Installation Instructions	Page 1 of 3

SCOPE:
 TO MOUNT A TV USING A PDI PD168-033 WALL MOUNT KIT.

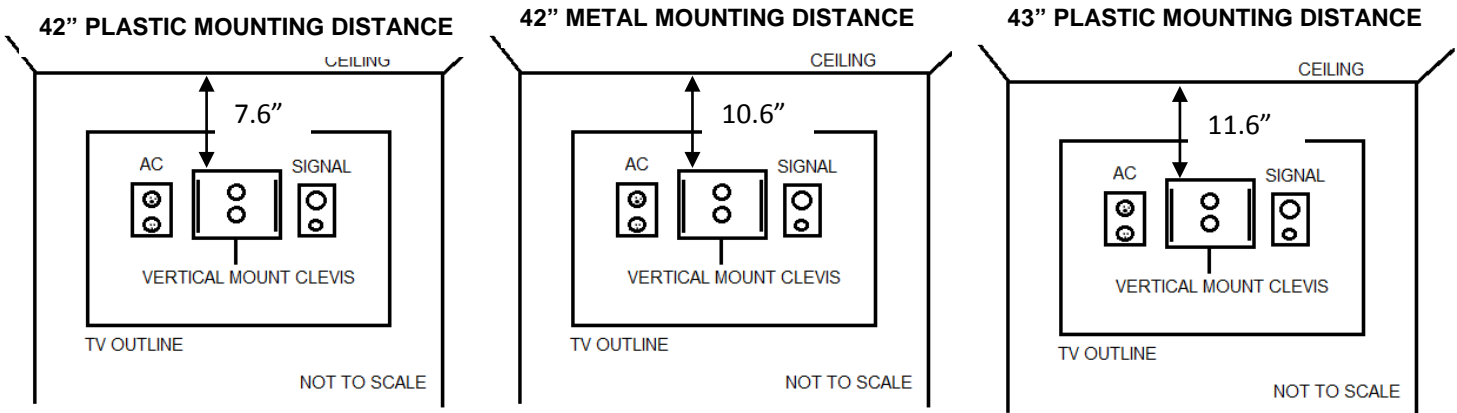
- TOOL LIST**
1. P1 OR P2, PHILLIPS SCREW DRIVER
 2. SAFETY GLASSES/GOGGLES
 3. LEVEL

- SAFETY STEPS:**
1. ALWAYS WEAR SAFETY GLASSES/GOGGLES TO PREVENT INJURY FROM DEBRIS.
 2. FOLLOW THE INSTALLATION/REMOVAL INSTRUCTIONS FOR YOUR EXISTING PRODUCTS.

MOUNTING DISTANCES

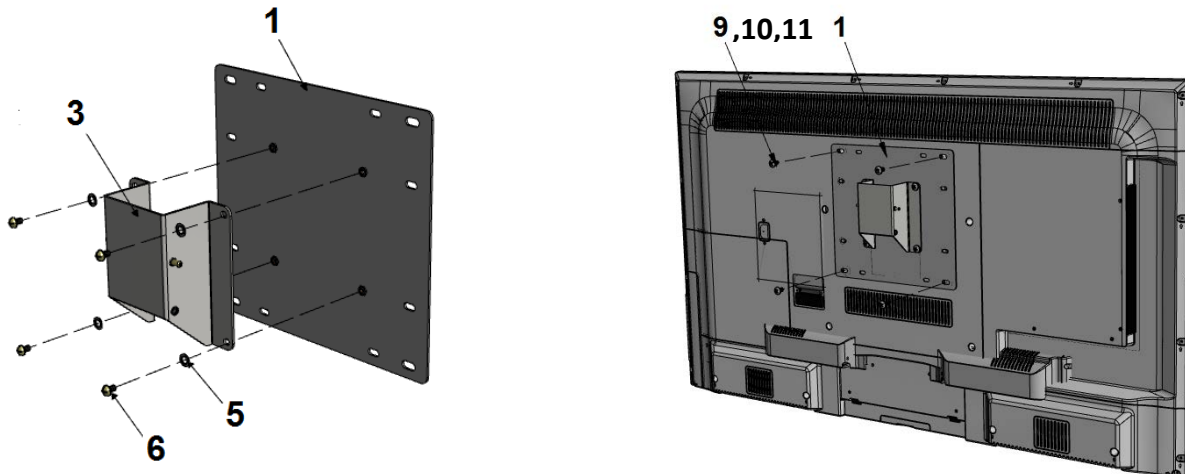
7.6" MINIMUM FROM CLEVIS TO CEILING FOR 42" PLASTIC LED TV, 10.6" MIN. FROM CLEVIS TO CEILING FOR 42" METAL LED TV, AND 11.6" MIN. FROM CLEVIS TO CEILING FOR 43" LED TV

PROCEDURE TO MOUNT AN E42 AND E43 LED TV:



STEP 1:
 ATTACH THE PD181-596 MOUNTING BRACKET (#3) TO THE PD181-672 PLATE (#1) FOR LED TV USING FOUR PDIPPHMSM4X76 SCREWS (#6) AND FOUR PDIITLW10 WASHERS (#5). MAKE SURE THE PD181-596 MOUNTING BRACKET (#3) IS ATTACHED TO THE SIDE OF THE CHOSEN PLATE WITH THE FOUR ROUND ENDS OF THE M4 INSETS. THE SIDE WITH THE FOUR HEX ENDS WILL GO TOWARDS THE BACK OF THE SET.

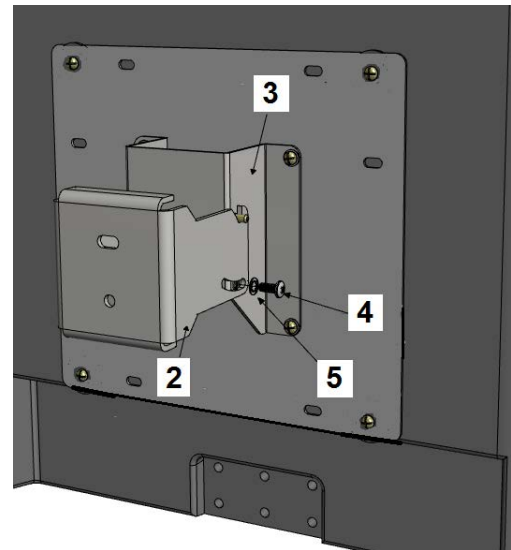
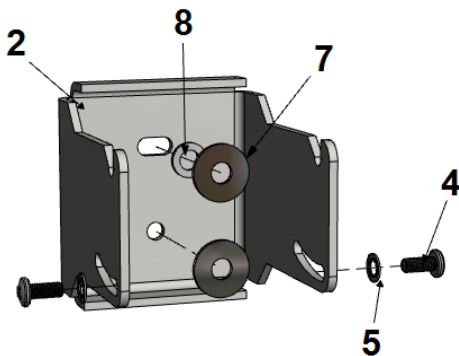
STEP 2:
 ATTACH PARTS PREVIOUSLY ASSEMBLED ON STEP #1 TO TV USING FOUR PDIPPHMSM6X110 SCREWS (#9) FOR 42" PLASTIC, FOUR PDIPPHMSM6X18 SCREWS (#10) FOR 42 " METAL TV AND FOUR PDIPPHMSM5X810 (#11) SCREWS FOR 43" PLASTIC.



ITEM	PART NUMBER	DESCRIPTION	QTY
1	PD181-672	200mm TO 100mm ADAPTER PLATE	1
2	PD181-674	VERTICAL WALL MOUNT CLEVIS	1
3	PD181-596	MOUNTING BRACKET	1
4	PDIPPHMS103238	10-32 X .375 PHILLIPS PAN HEAD MACHINE SCREW	2
5	PDIITLW10	#10 INTERNAL TOOTH LOCK WASHER	6
6	PDIPPHMSM4X76	M4-.7 X 6mm PPHMS	4
7	PDIFW25	1/4" FLAT WASHER	2
8	PDISLW25	1/4" LOCK WASHER	1
9	PDIPPHMSM6X110	M6 X 1 10mm PHILLIPS SCREW	4
10	PDIPPHMSM6X18	M6 x 1 8mm PHILLIPS SCREW	4
11	PDIPPHMSM5X810	M5 x 0.8 10mm PHILLIPS SCREW	4

STEP 3:

ATTACH THE PD181-674 (#2) TO THE WALL USING CUSTOMER SUPPLIED 1/4" FASTENERS FOLLOWING THE MOUNTING DISTANCE DIAGRAM DIMENSIONS. PLACE ONE PDIFW25 FLAT WASHER (#7) AND ONE PDISLW25 LOCK WASHER (#8) ON THE TOP FASTENER AND THROUGH TOP SLOT IN THE BRACKET. PLACE THE REMAINING PDIFW25 FLAT WASHER (#7) IN THE BOTTOM MOUNTING FASTENER. LEVEL THE BRACKET USING TOP LEVELING SLOT AND FINISH TIGHTENING FASTENERS.




STEP 4:

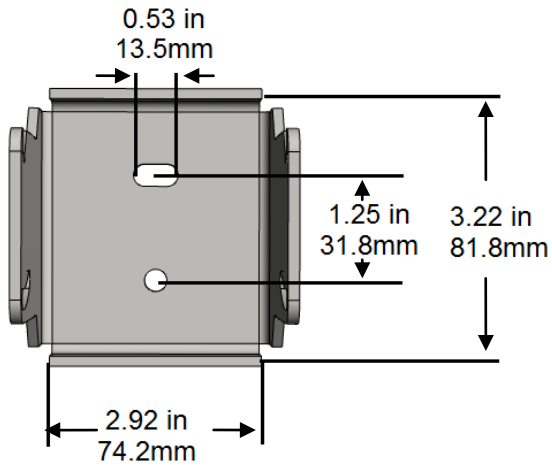
CAREFULLY LIFT THE SET UP AND POSITION THE PD181-596 MOUNTING BRACKET (#3) INSIDE THE SIDES OF THE SELECTED MOUNT ALLOWING THE TWO SIDE SUPPORT PINS OF THE PD181-596 MOUNTING BRACKET TO REST IN THE TWO NOTCHES AT THE FRONT OF THE MOUNT. TIGHTEN USING (2) PDIPPHMS1032 38 SCREWS (#4) AND (2) PDIITLW10 WASHERS (#5).

VESA PATTERNS:

- 100MM X 100MM WITH M4 THREADS
- 100MM X 200MM FOR M5 FASTENERS
- 200MM X 200MM FOR M6 FASTENERS

 PDI Communication Systems, Inc. <i>Your Source for Healthcare and Wellness Infotainment™</i>	MODEL NUMBER: PD168-033	Document Number: PD196-141R8
	200mm VESA Compliant Wall Mount Kit Installation Instructions	Page 3 of 3

PD181-674



PD181-672

