

**Scope:**

To install one small screen TV using a PD168-057 small screen mount.

**Tool List:**

1. Safety glasses/goggles
2. 9/16 Socket and ratchet
3. 9/16 Wrench
4. Drill
5. 3/8 Drill bit
6. P1 or P2 Phillips screwdriver
7. 1/4" Hex bit driver
8. 5/32 Hex key or Apex bit

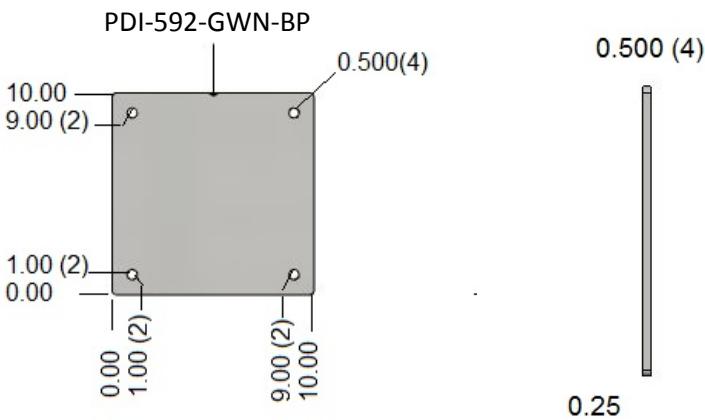
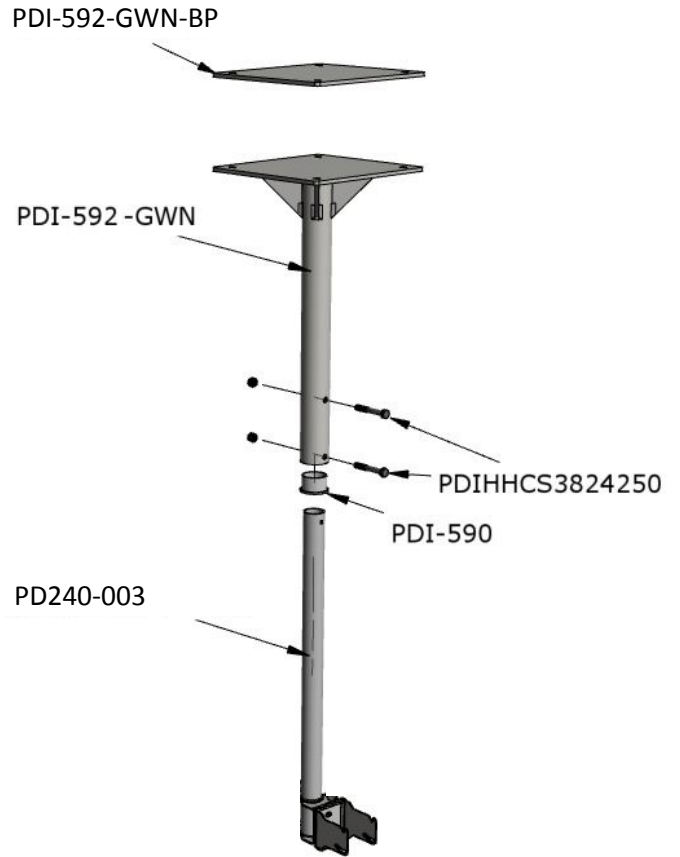
**Safety Steps:**

1. Always wear safety glasses/goggles to prevent injury from debris.
2. Follow the installation/removal instructions for your existing products.


**PROCEDURE**

**Step 1:**

Determine proper mounting location in ceiling and prepare attachment structure within ceiling.



| ITEM | QTY | PART NUMBER    | DESCRIPTION                     |
|------|-----|----------------|---------------------------------|
| 1    | 1   | PDI-590        | CMT SLEEVE                      |
| 2    | 2   | PD168-103      | EXT PDI LCD 100mm WALL MOUNT    |
| 3    | 1   | PDI-592-GWN    | ASSEMBLY: DUAL MOUNT OUTER TUBE |
| 4    | 1   | PDI-592-GWN-BP | BASE PLATE: DUAL MOUNT          |
| 5    | 1   | PD240-003      | EXTENSION FOR LCD GRID MOUNT    |
| 6    | 2   | PDIHHCS3824250 | 3/8-24 2-1/2" HHCS              |
| 7    | 2   | PDINILN3824    | 3/8-24 NYLOC                    |

|   |   |                                 |
|---|---|---------------------------------|
| <br><small>Communication Systems, Inc.</small><br><i>A Leader in Patient Communication Solutions®</i> | MODEL NUMBER:<br><b>PD168-057</b>                       | Document Number:<br>PD196-375R1 |
|   | Small Screen Ceiling Mount Installation<br>Instructions | Page 2 of 3                     |

**Step 2:**

Determine the desired viewing height for the TV and drill the top mounting hole through the PD240-003 inner tube.

**Step 3:**

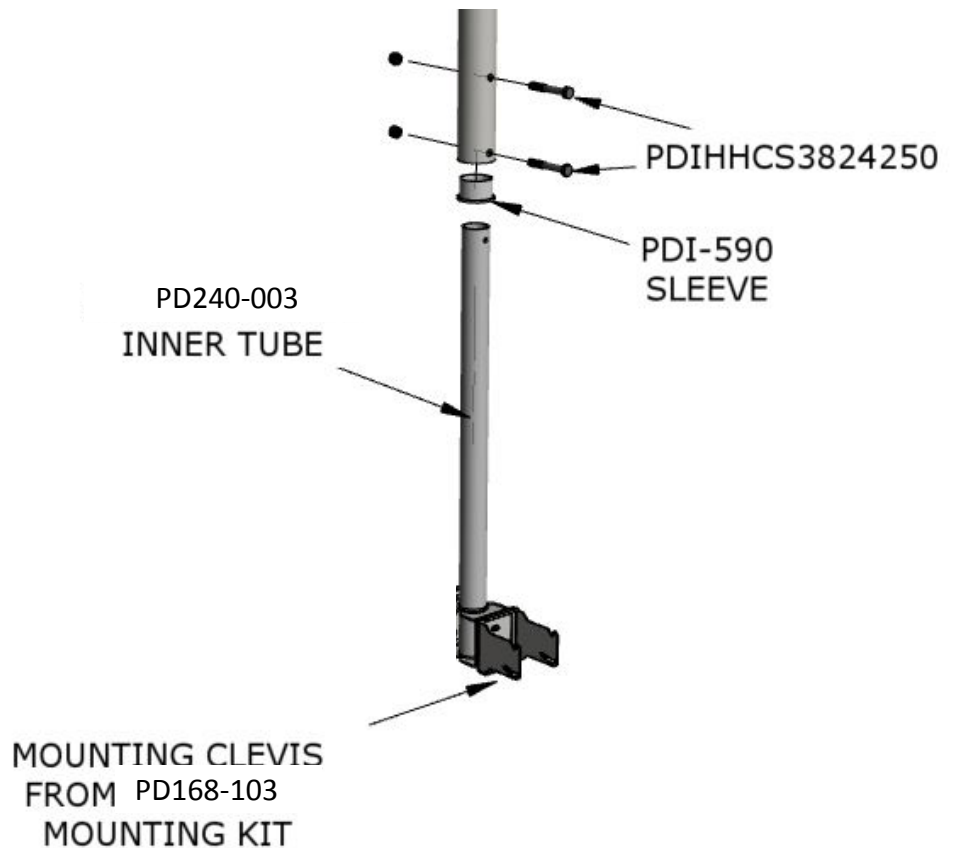
Following the mounting instructions of the supplied PD168-103 brackets, test mount the TV's to verify the desired viewing position has been set.

**Step 4:**

If the viewing angle is correct, remove the TVs, drill the second mounting hole through PDI-590 sleeve and inner tube and install second mounting bolt through the assembly. Tighten both bolts securely.

**Step 5:**

Following the mounting instructions of the supplied PD168-103 brackets, remount the TVs and finish the installation and connections.





Communication Systems, Inc.  
A Leader in Patient Communication  
Solutions®

MODEL NUMBER:

PD168-057

Document Number:  
PD196-375R1

Small Screen Ceiling Mount Installation  
Instructions

Page 3 of 3

