


	CAUTION RISK OF ELECTRIC SHOCK, DO NOT OPEN!		 This symbol indicates that dangerous voltage constituting a risk of electric shock is present within this unit.
	CAUTION: TO REDUCE THE RISK OF ELECTRIC SHOCK, DO NOT REMOVE COVER. NO USER SERVICEABLE PARTS INSIDE. REFER SERVICING TO QUALIFIED SERVICE PERSONNEL		 This symbol indicates that there are important operating and maintenance instructions in the literature accompanying this unit.

THIS INSTALLATION SHOULD BE MADE BY A QUALIFIED SERVICE PERSON AND SHOULD CONFORM TO ALL LOCAL CODES. READ AND FOLLOW THE SAFETY INSTRUCTIONS BEFORE ATTEMPTING THIS INSTALLATION.

NOTE to CATV system installer: This reminder is provided to call the CATV system installer's attention to Article 820-40 of the NEC that provides guidelines for proper grounding and, in particular, specifies that the cable ground shall be connected to the grounding system of the building, as close to the point of cable entry as practical.



WARNING: OXYGEN ENVIRONMENT DO NOT use in an oxygen tent or oxygen chamber. Such use may cause a fire hazard.



WARNING: To avoid the hazards of fire or electric shock, **DO NOT** expose this TV to rain or moisture.



DANGER: ARM RECOIL HAZARD The safety brake pin must remain in the SAFETY BRAKE PIN HOLE whenever the television set is removed from the arm or when the arm is removed from the wall bracket to prevent the arm from springing open.

Apparatus shall not be exposed to dripping or splashing and no objects filled with liquids, such as vases, shall be placed on the apparatus. Unplug this unit from the wall outlet before cleaning. Do not use liquid cleaners or aerosol cleaners. Use a damp cloth for cleaning. This unit **REQUIRES** periodic maintenance. Refer to the maintenance section for instructions.


1. Read these instructions.
2. Keep these instructions.
3. Heed all warnings.
4. Follow all instructions.
5. Do not use this apparatus near water.
6. Clean only with dry cloth.
7. Do not block any ventilation openings. Install in accordance with the manufacturer's instructions.
8. Do not install near any heat source such as radiators, heat registers, stove, or other apparatus (including amplifiers) that produce heat.
9. Use only with the cart, stand, tripod, bracket or table specified by the manufacturer, or sold with the apparatus. When a cart is used, use caution when moving the cart/apparatus combination to avoid injury from tip-over.
10. Do not defeat the safety purpose of the polarized or grounding-type plug. A polarized plug has two blades



- with one wider than the other. A grounding type plug has two blades and a third grounding prong. The wide blade or the third prongs are provided for your safety. If the provided plug does not fit into your outlet, consult an electrician for replacement of the obsolete outlet.
11. Protect the power cord from being walked on or pinched particularly at plugs, convenience receptacles, and the point where they exit from the apparatus.
12. Only use attachments/accessories specified by the manufacturer.
13. Unplug this apparatus during lightning storms or when unused for long periods of time.
14. Refer all servicing to qualified service personnel. Servicing is required when the apparatus has been damaged in any way, such as power-supply cord or plug is damaged, liquid has been spilled or objects have fallen into the apparatus, the apparatus has been exposed to rain or moisture, does not operate normally, or has been dropped.

Contact PDi for complete list of approved TV model numbers for which this arm can be used.

Scope:

	MODEL NUMBER: PDI-AB1007 Series Arm: Retrofit	Document Number: PD196-247R1
	Installation Instruction for 1007 Series arm into a PDI-179C Wall Bracket	Page 2 of 8

How to install a 1000 series PDI arm into an existing 5/8" basepin bushing wall bracket.

Tool List:

- 1) Safety glasses/goggles
- 2) P1 OR P2 Phillips screw driver
- 3) Medium size pair of needle nose pliers
- 4) 5/32 Hex key or hex bit and driver
- 5) 3/16 Hex key or hex bit and driver

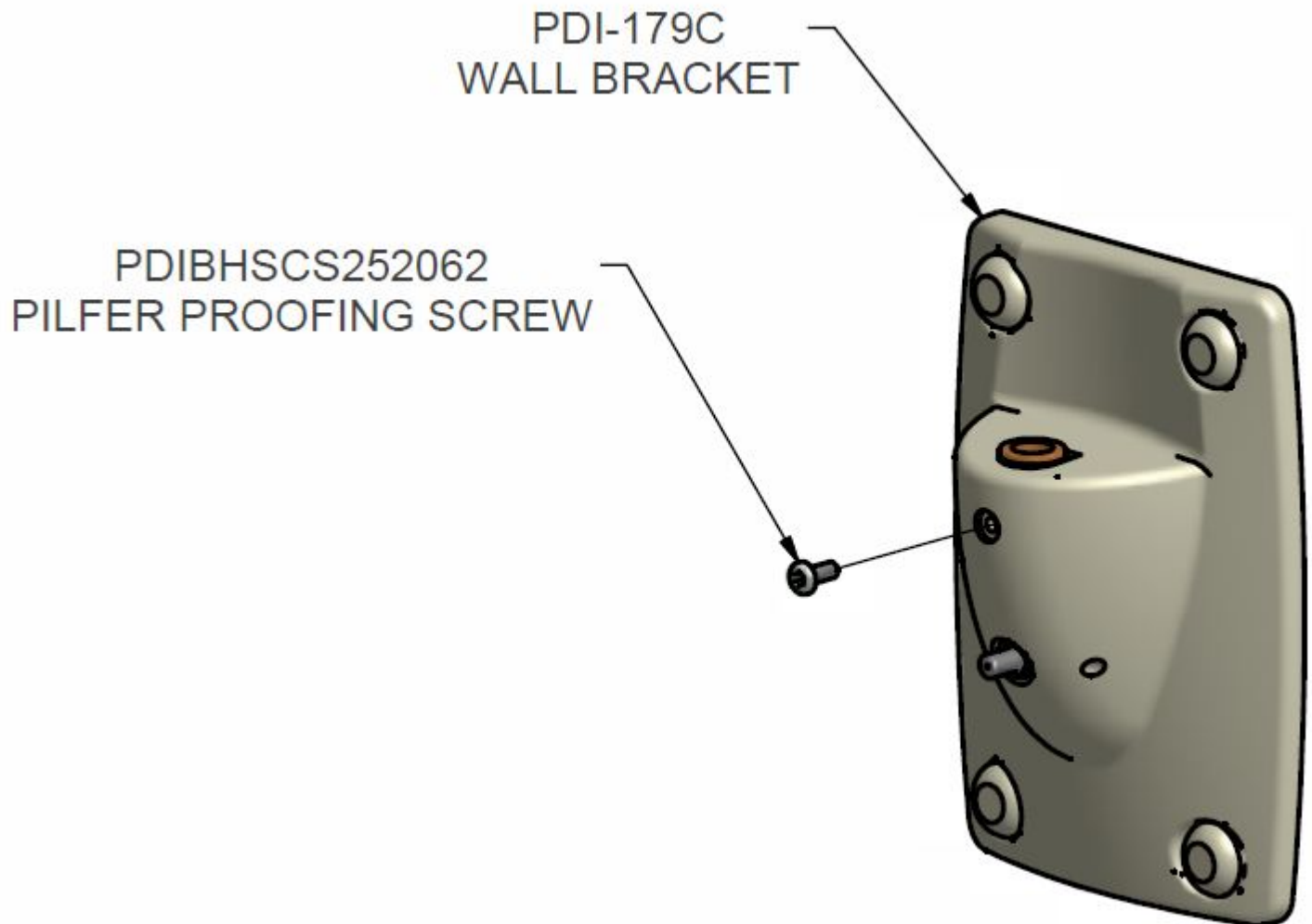
Safety steps:

- 1) Always wear safety glasses/goggles to prevent injury from debris.
- 2) Follow the installation/removal instructions for your existing products.

Procedure:

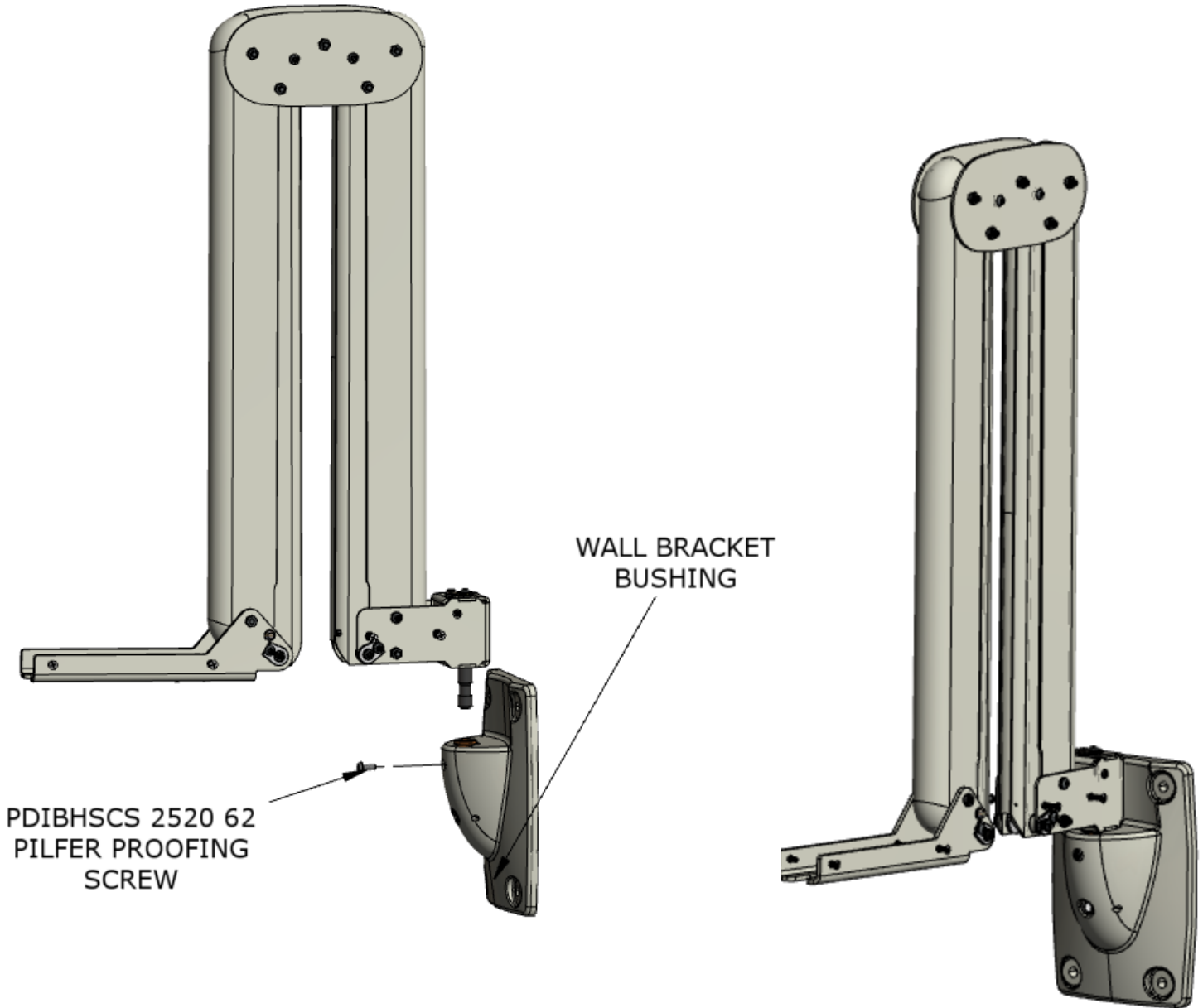
Step 1:

Remove the PDIBHSCS252062, pilfer proofing screw, from the PDI-179C, wall bracket and save for reinstallation later.



Step 2:

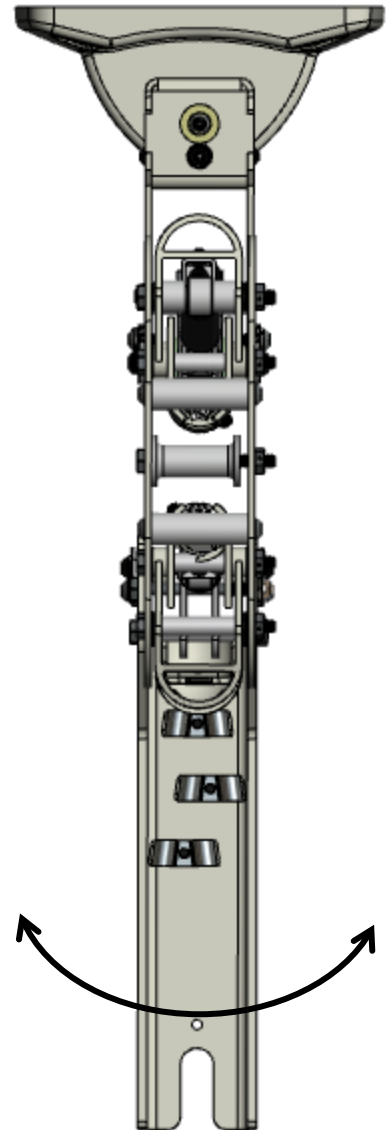
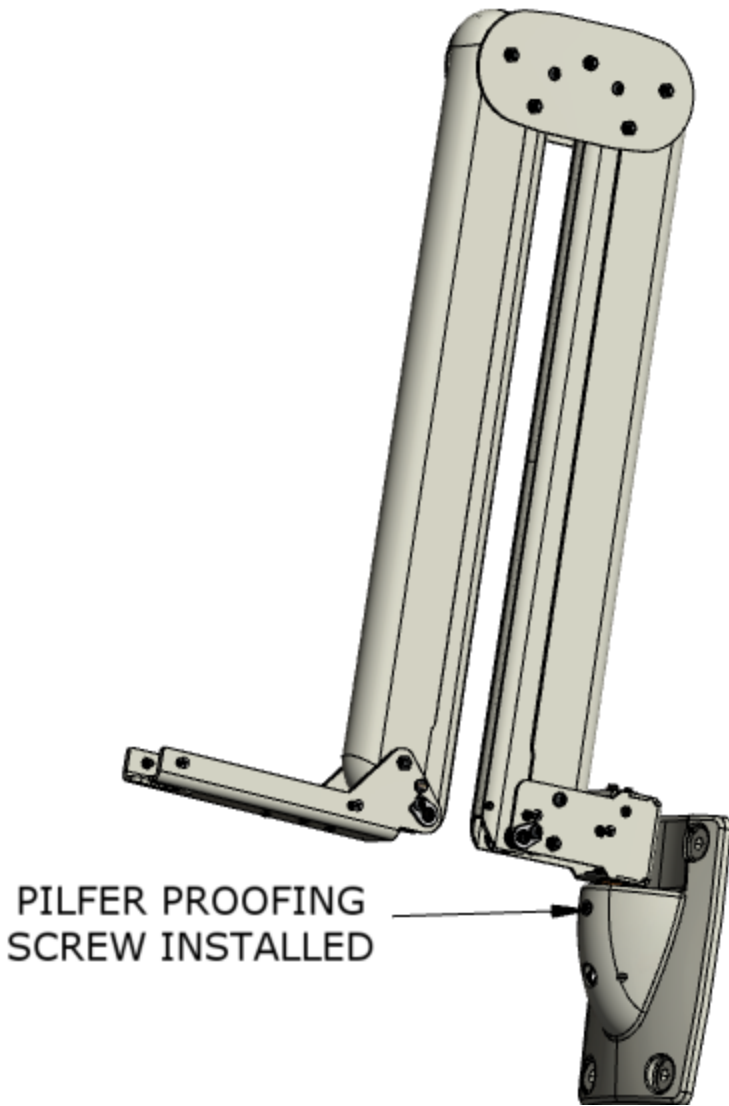
Place the basepin of the arm into the basepin bushing of the wall bracket. Be sure to align the basepin to the wall bracket bushing during insertion, or the bushing can be damaged during installation. Do not let go of the arm until the basepin is completely inserted into the bushing, or the unsupported weight can crack the top of the bushing. Reinstall the PDIBHSCS252062, pilfer proofing screw, and securely tighten.




Step 3:

Carefully rotate the arm, left to right, to verify there is no interference thru the horizontal range of travel. The rotation should be smooth and uninterrupted.

IF THE BASE PIN IS NOT PROPERLY INSTALLED AND DOES NOT HAVE FREE ROTATION, IT CAN POSSIBLY LEAD TO FUTURE FAILURE OF THE ASSEMBLY!



ROTATE TO VERIFY FREE RANGE OF MOTION

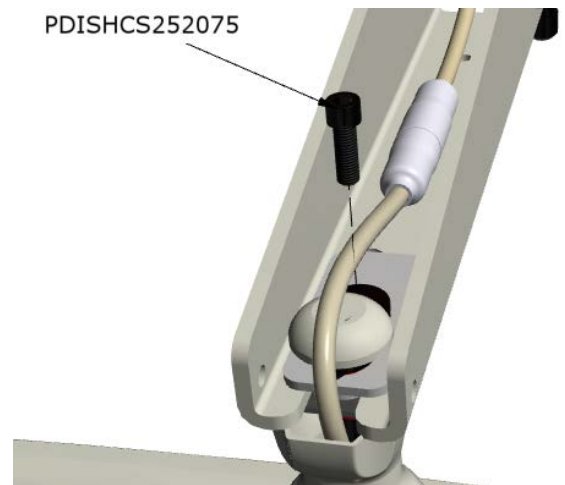
	MODEL NUMBER: PDI-AB1007 Series Arm: Retrofit	Document Number: PD196-247R1
	Installation Instruction for 1007 Series arm into a PDI-179C Wall Bracket	Page 5 of 8

Step 4:

Attach the TV to the nose of the arm, as pictured below, using a PDISHCS252075 socket head cap screw.

Connect the coaxial cable per the installation documents supplied with the LCD TV.

Verify that the LCD TV is correctly connected and functioning properly, then begin installing the arm cover kit following the process explained in Step 5.



Step 5: Note:

- 1) Attach arm to wall bracket and mount TV to arm before beginning cover installation.
- 2) Arm Safety Brake Pin must be removed from arm nose to install the new Nose Arm Cover.
- 3) **DO NOT DISCARD SAFETY BRAKE PIN. Store the safety pin under one of the extra clamps in the nose of the arm for future service of the arm and/or TV.**

Step 7.

Snap the (3) PD216-001 End Caps into the ends of the arm sections as pictured. There should be 2 in the front section and 1 in the back section.

Step 8.

Attach the Base Cover halves using (4) PD209-004 screws. Gently hand tighten.

Step 9.

Securely snap the Elbow Covers around the elbow joint. Hook over the top edges of the elbow plates then snap the lower hooks along the bottom edges.

When the halves are properly installed there should only be a thin seam visible where the halves meet.

Step 10.

Attach the left and right Nose covers to the nose using (4) PD209-004, screws.

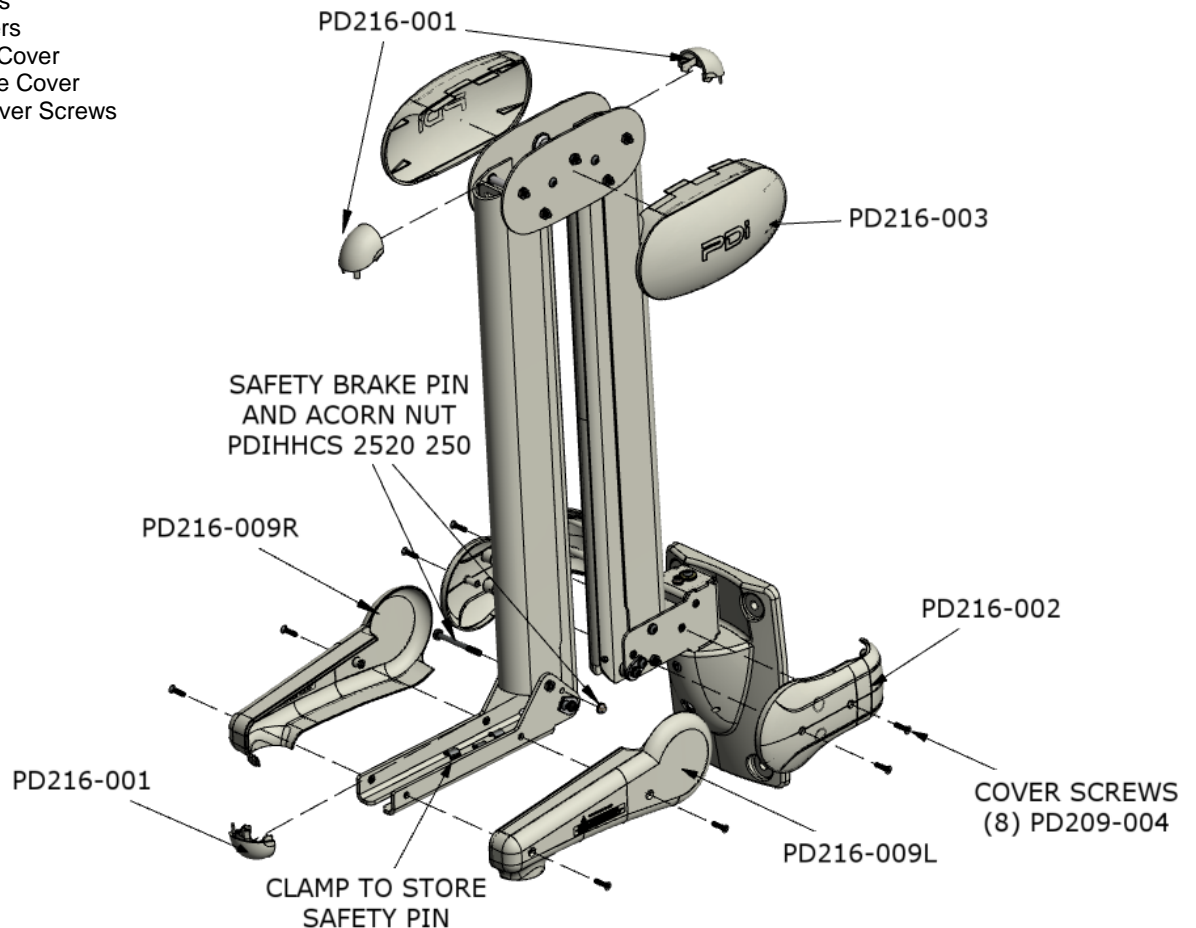
When the halves are properly installed there should only be a thin seam visible where the halves meet.

Step 11.

Rotate the TV and move the arm thru its range of travel to check for any inference issues.

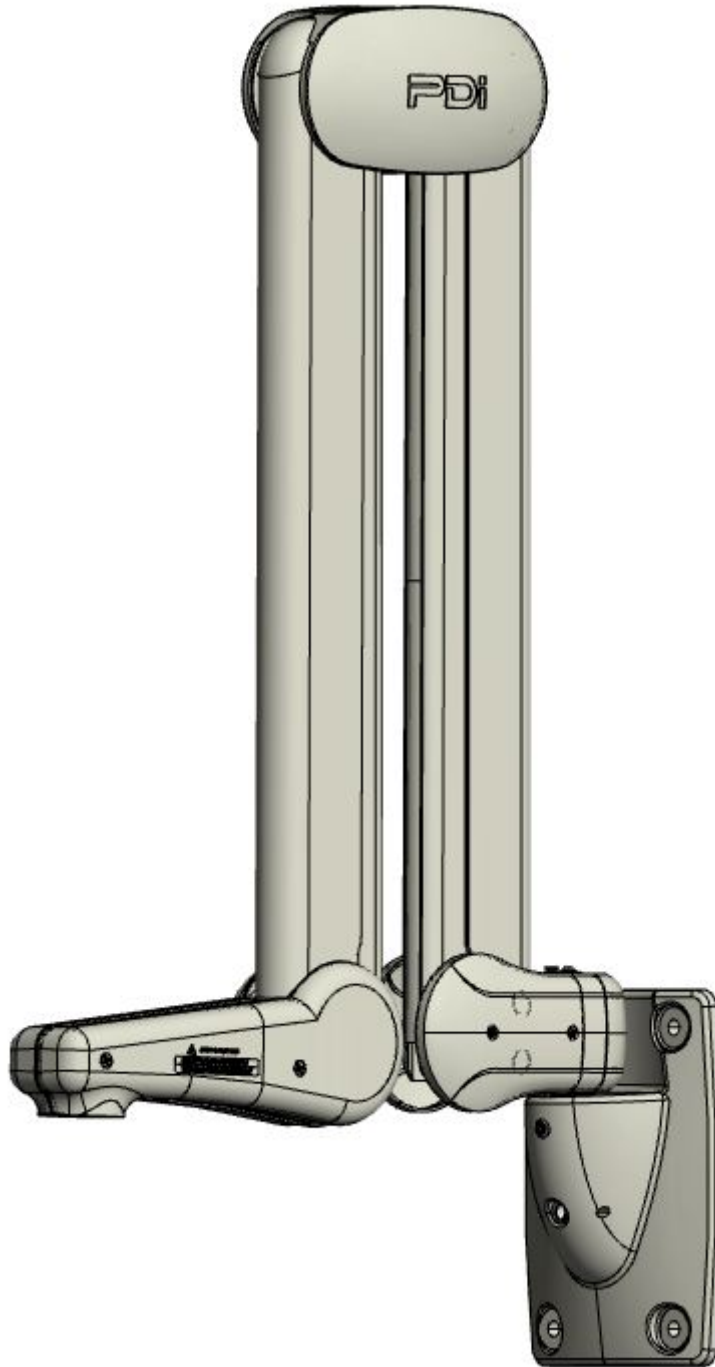
PARTS LIST for KIT:


- (3) PD216-001 End Caps
- (2) PD216-002 Base Covers
- (2) PD216-003 Elbow Covers
- (1) PD216-009L Left Nose Cover
- (1) PD216-009R Right Nose Cover
- (8) PD209-004 Painted Cover Screws



The TV is not shown for installation clarity.

VIEW OF COVER KIT INSTALLED



	MODEL NUMBER: PDI-AB1007 Series Arm: Retrofit	Document Number: PD196-247R1
	Installation Instruction for 1007 Series arm into a PDI-179C Wall Bracket	Page 8 of 8

ARM MAINTENANCE

Very little maintenance should be required for your PDI Arm to give years of trouble free service if the following lubrication and inspection procedures are followed.

1. INSPECTION - Occasionally check the base pin for any evidence of bending or distortion due to a patient using the ARM for assistance in getting in or out of bed or any other misuse. If the ARM is not mounted with the base pin absolutely vertical, it will have a tendency to drift and will not properly counter balance the television. Be certain that the wall the arm is mounted to is vertical.

2. SPRING ADJUSTMENT - The gas spring in this arm support a specific weight range for the model construction. These springs are not "adjustable. The pivot points for some arm models can be moved to alter the weight capacity. Please contact the manufacturer for details. Otherwise the gas springs will have to be changed to alter the weight capacity of the arm.

3. LUBRICATION - At least once a year a drop of light machine oil should be put on each pivot point in the nose, elbow, and base.
DO NOT PUT OIL ON THE FRICTION DAMPER PADS!

4. REPLACEMENT OF COAX CABLE - See cable replacement procedure in the full maintenance manual for your arm.

5. TORQUE ADJUSTMENT OF PIVOT SCREWS - All screws in the ARM are tightened securely, and Loctite, at the factory and do not require specific checks with a torque wrench. **IF THE THREADS ARE STRIPPED IN THE NOSE, ELBOW, OR BASE, THAT PART NEEDS REPLACEMENT - DISCONTINUE USE IMMEDIATELY.**

