	MODEL NUMBER: <b>PD168-234</b>	Document Number: PD196-373R1
	Articulating Wall Mount Kit Installation Instructions	Page 1 of 3

**SCOPE:**

TO MOUNT A TV USING A PDI PD168-234 ARTICULATING WALL MOUNT KIT.

**TOOL LIST**

1. P1 OR P2, PHILLIPS SCREW DRIVER
2. SAFETY GLASSES/GOGGLES
3. LEVEL

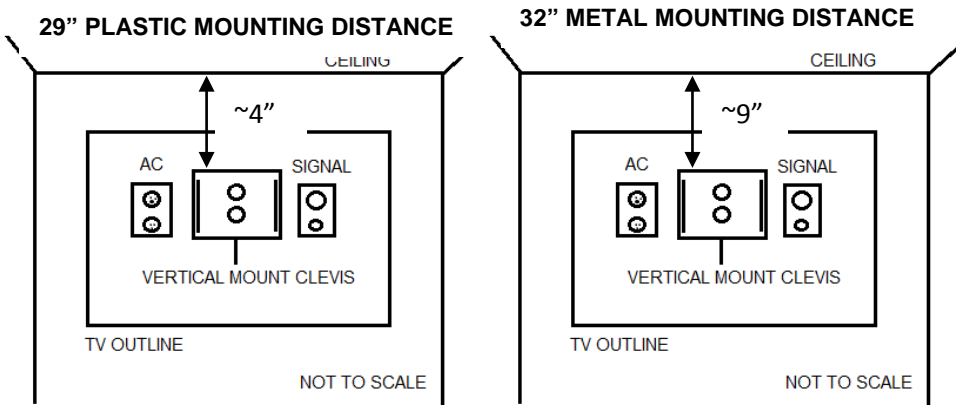
**SAFETY STEPS:**

1. ALWAYS WEAR SAFETY GLASSES/GOGGLES TO PREVENT INJURY FROM DEBRIS.
2. FOLLOW THE INSTALLATION/REMOVAL INSTRUCTIONS FOR YOUR EXISTING PRODUCTS.

**MOUNTING DISTANCES**

APPROXIMATELY 4" MINIMUM FROM PLATE TO CEILING FOR 29" PLASTIC LED TV AND APPROXIMATELY 9" MIN. FROM CLEVIS TO CEILING FOR 32" METAL LED TV.

**PROCEDURE TO MOUNT AN E29 AND E32 LED TV:**

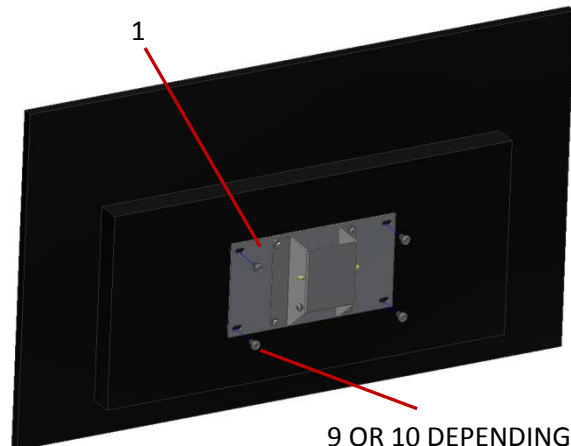
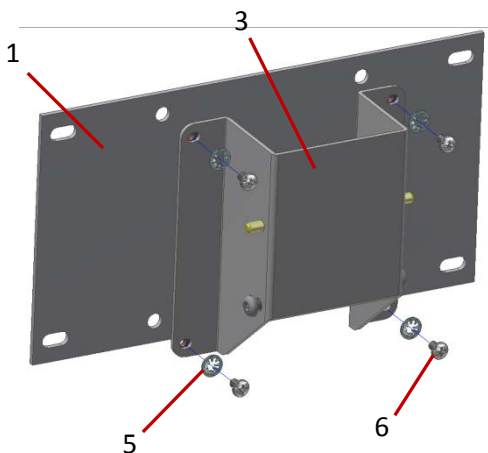


**STEP 1:**

ATTACH THE PD181-596 MOUNTING BRACKET (#3) TO THE PD181-677 PLATE (#1) FOR E29 AND E32 LED TVs USING FOUR PDIPPHMSM4X76 SCREWS (#6) AND FOUR PDIITLW10 WASHERS (#5). MAKE SURE THE PD181-596 MOUNTING BRACKET (#3) IS ATTACHED TO THE SIDE OF THE CHOSEN PLATE WITH THE FOUR ROUND ENDS OF THE M4 INSETS. THE SIDE WITH THE FOUR HEX ENDS WILL GO TOWARDS THE BACK OF THE SET.

**STEP 2:**

ATTACH PARTS PREVIOUSLY ASSEMBLED ON STEP #1 TO TV USING FOUR PDIPPHMSM5X810 SCREWS (#10) FOR THE PLASTIC LED 29" TV AND FOUR PDIPPHMSM6X18 SCREWS (#9) FOR 32" METAL LED TV.

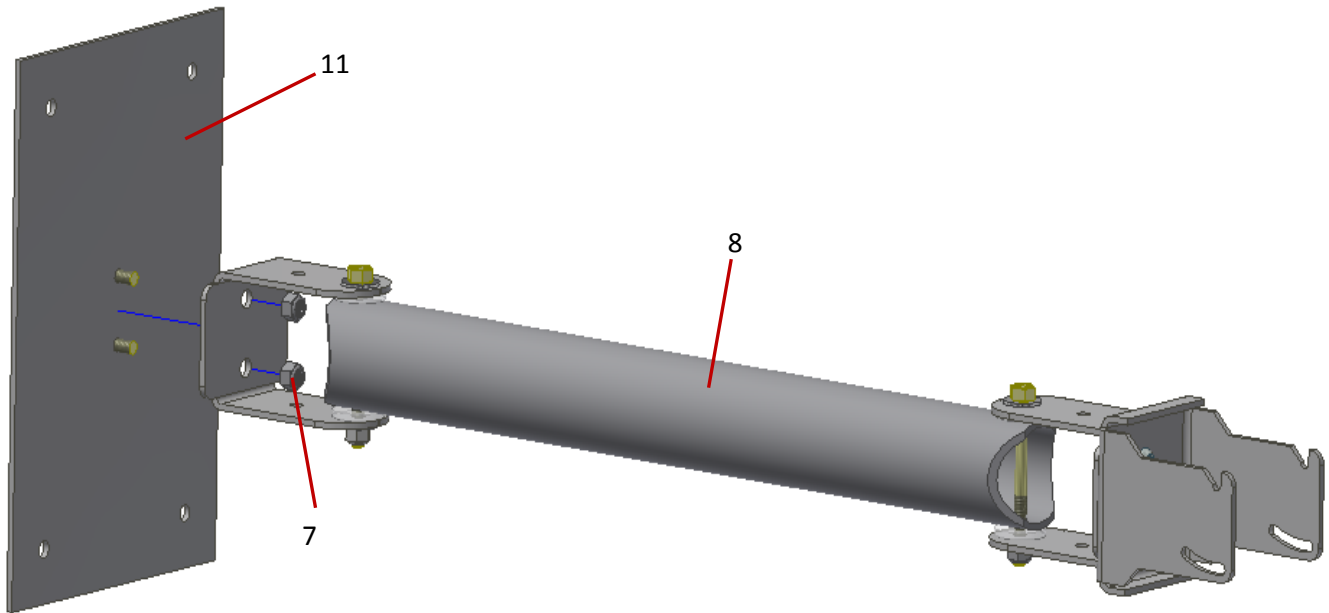



9 OR 10 DEPENDING ON TV SIZE

ITEM	PART NUMBER	DESCRIPTION	QTY
1	PD181-677	200mm TO 100mm ADAPTER PLATE	1
2	PD181-674	VERTICAL WALL MOUNT CLEVIS	1
3	PD181-596	MOUNTING BRACKET	1
4	PDIPPHMS103238	10-32 X .375 PHILLIPS PAN HEAD MACHINE SCREW	2
5	PDITLW10	#10 INTERNAL TOOTH LOCK WASHER	6
6	PDIPPHMSM4X76	M4-.7 X 6mm PPHMS	4
7	PDINILN250	1/4" NYLOC NUT	2
8		ARTICULATING ARM ASSEMBLY	1
9	PDIPPHMSM6X18	M6 X 1 8mm PHILLIPS SCREW (FOR 32" TV ONLY)	4
10	PDIPPHMSM5X810	M5 x .8 10mm PHILLIPS SCREW (FOR 29" TV ONLY)	4
11	PD181-830	MOUNTING PLATE	1

**STEP 3:**

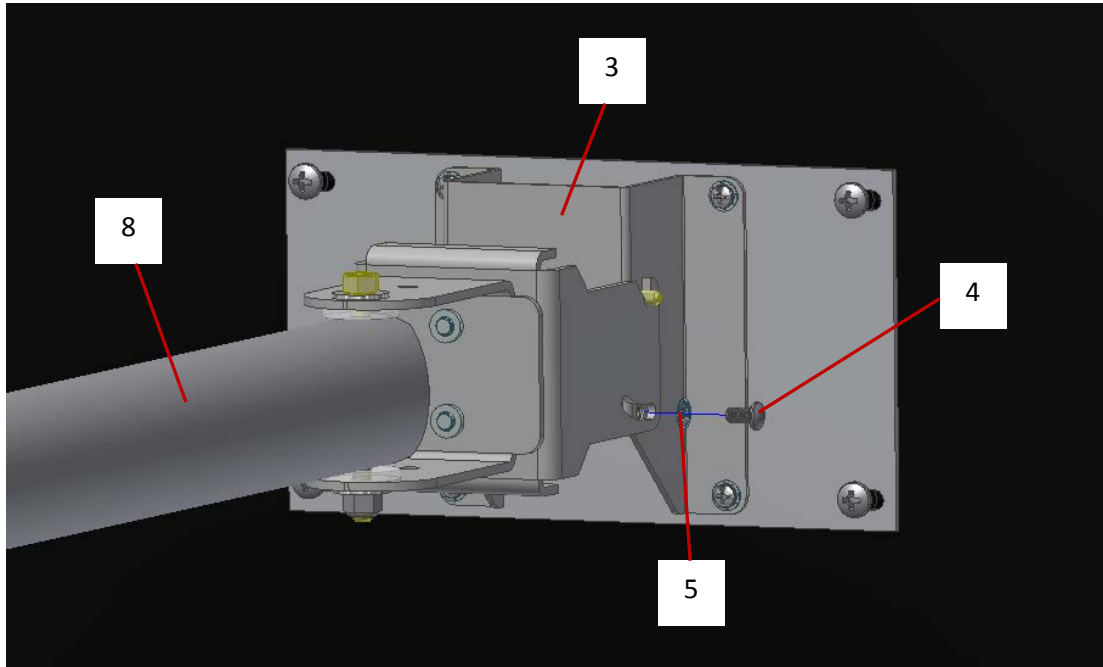
ATTACH THE PD181-830 PLATE (#11) TO THE WALL USING CUSTOMER SUPPLIED 1/4" FASTENERS FOLLOWING THE MOUNTING DISTANCE DIAGRAM DIMENSIONS ABOVE. INSTALL THE ARTICULATING ARM ASSEMBLY (#8) ONTO THE THREADED INSERTS OF THE PD181-830 PLATE, USING TWO PDINILN2520 (#7) NYLOC NUTS AND TIGHTEN.



 <b>PDi</b> Communication Systems, Inc. <i>A Leader in Patient Communication Solutions™</i>	MODEL NUMBER: <b>PD168-234</b>	Document Number: PD196-373R1
	Articulating Wall Mount Kit Installation Instructions	Page 3 of 3

**STEP 4:**

CAREFULLY LIFT THE SET UP AND POSITION THE PD181-596 MOUNTING BRACKET (#3) INSIDE THE SIDES OF THE SELECTED MOUNT ALLOWING THE TWO SIDE SUPPORT PINS OF THE PD181-596 MOUNTING BRACKET TO REST IN THE TWO NOTCHES AT THE FRONT OF THE MOUNT. TIGHTEN USING TWO PDIPPHMS1032 38 SCREWS (#4) AND TWO PDIITLW10 WASHERS (#5).



**MOUNTING PLATE DIMENSION DETAILS:**

