

PDi RECOMMENDED INSTALLATION METHOD:

At the time of this printing, the following configuration is the preferred method for installing PDi wall mounted arms.

Wall construction:

1. Wall studs are galvanized steel, 25 gauge minimum, with a 2x4 minimum size and be spaced 16" on centers.
2. Stud orientation shall be with the "4" inch dimension perpendicular to the surface plasterboard.
3. The surface plasterboard shall have a maximum thickness of 5/8".

Installation of PDI backer plates:

1. Attaching fasteners will be 1/4" diameter grade 5 (bolts or screws).
2. Captive solid bar toggles: TOGGLER brand SNAPTOGGLE.
3. Anchorage to two adjacent studs, two fasteners in each, is required.

SNAPTOGGLE® HEAVY-DUTY HOLLOW-WALL ANCHORS

Anchor	UNC thread	Drill dia.	1/2" Drywall	5/8" Drywall	*1/2" with 25 gauge stud	*5/8" with 25 gauge stud	Concrete block	1/2" steel plate	Stainless in 1/2" steel ³
BB	1/4"-20	1/2"	265	356	425	464	1,080	1,288 ²	1,735 ¹

INSTALLATION WITH TOGGLE ANCHORS

Fastening anchors should be HILTI brand or equivalent, such as TOGGLER or SNAP TOGGLE.

1. Drill a 1/2" (13mm) hole, in the center of the stud flange. Hold metal channel flat alongside plastic straps and slide channel through hole. Minimum clearance behind wall 1-7/8" (48mm). Fig. 1
2. Hold ends of straps between thumb and forefinger and pull toward you until channel rests flush behind wall. Slide plastic cap along straps with other hand until flange of cap is flush with wall. Fig. 2

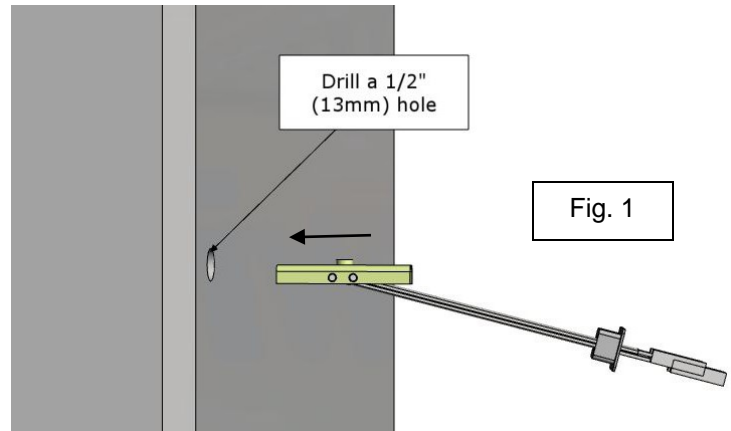


Fig. 1

Toggle should be through center of steel edge flange.

Fig. 3

3. Cut or snap straps at wall by pushing side to side, snapping off straps level with flange of cap. Fig. 4
4. Align mounting holes in backing plate with holes in toggle and install mounting hardware as shown. Fig. 5

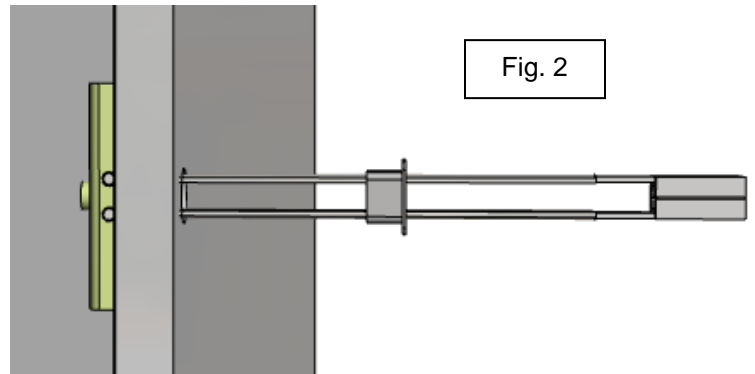


Fig. 2

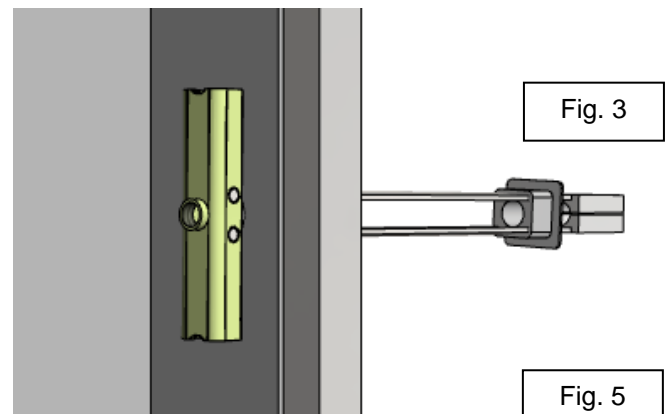


Fig. 3

Contact PDI Service for installation of these anchors in walls of alternate construction.

Ph: 1-800-628-9870, ext 505

email: t1service@pdiam.com

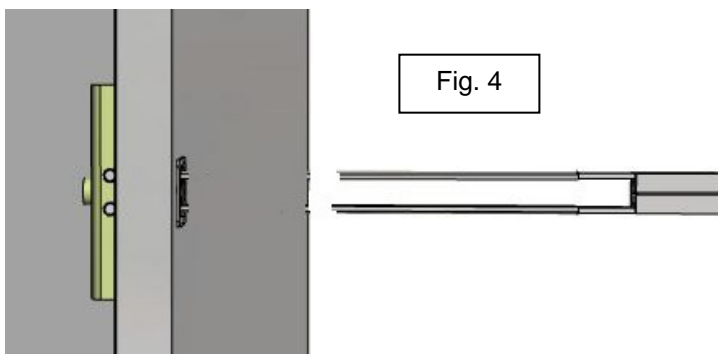


Fig. 4

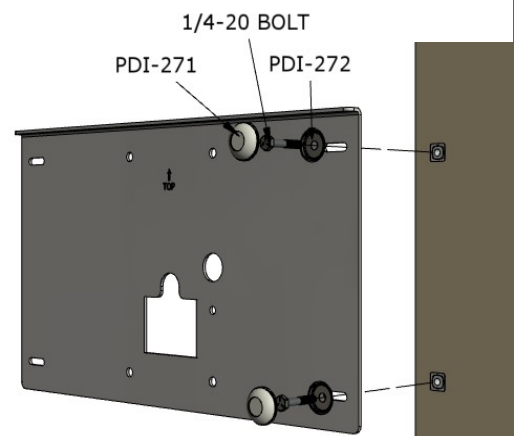


Fig. 5