

UNI CARRIERS® FORKLIFT

Electric Counterbalanced Forklifts

36 & 48 Volt AC-Powered
3,000 - 8,000 lbs. Capacities | Cushion Tire



BX Series

SPECIFICATIONS

MAIN TRUCK SPECIFICATIONS

CHARACTERISTICS	1			UniCarriers		UniCarriers		
	2			BXC30N		BXC35N		
	3			MCJ1B1L15S		MCJ1B1L18S		
	Manufacturer's Name							
	Model	Model designation						
		Long Model code						
	Rated Load Capacity		lbs. (kg)	3000 (1350)		3500 (1600)		
	Load Center	Distance	in (mm)	24 (600)		24 (600)		
	Power Type	Electric		36v / 48v		36v / 48v		
	Operator Orientation			Sit Down		Sit Down		
DIMENSIONS	Tire Type	Front & rear		Cushion		Cushion		
	Wheels	Number- front/rear (x=driven)		2x/2		2x/2		
	Mast	Maximum fork height		in (mm)	130 (3300)		130 (3300)	
		Mast lowered (OHL)		in (mm)	82.9 (2110)		82.9 (2110)	
		Mast extended with LBR		in (mm)	179.3 (4555)		179.3 (4555)	
		Standard freelif		in (mm)	3.9 (100)		3.9 (100)	
	Forks	Thickness & width		in (mm)	1.5 x 4 (40 x 100)		1.5 x 4 (40 x 100)	
		Length (STD)		in (mm)	42.1 (1070)		42.1 (1070)	
	Tilt Angle	Standard mast - fwd/back		degree	5 / 10		5 / 10	
		Length (to face of forks)		in (mm)	80.9 (2055)		81.3 (2060)	
	Overall Dimensions	Width (standard tires)		in (mm)	38.2 (970)		38.2 (970)	
		Height - top of OHG		in (mm)	86.2 (2190)		86.2 (2190)	
		Height - top of LBR		in (mm)	48.0 (1220)		48.0 (1220)	
		Width - standard carriage		in (mm)	32.4 (825)		32.4 (825)	
	Grade Clearance	Ramp breakover angle		%	26		26	
		Departure angle		%	36		36	
	Overhang	Front		in (mm)	15.9 (405)		15.9 (405)	
		Rear		in (mm)	16.9 (430)		17.1 (435)	
	Turning Radius	Minimum outside		in (mm)	70.9 (1800)		70.9 (1800)	
	Minimum Right Angle Stack	Add load length & clearance		in (mm)	86.8 (2205)		86.8 (2205)	
	PERFORMANCE	Speeds Maximum	Travel - loaded (36v / 48v)	mph (km/h)	9.0 (14.5)	9.0 (14.5)	9.0 (14.5)	9.0 (14.5)
			Travel - unloaded (36v / 48v)	mph (km/h)	10.6 (17.0)	10.6 (17.0)	10.3 (16.5)	10.3 (16.5)
		Lift - loaded (36v / 48v)		fpm (mm/sec)	66.0 (335)	85.7 (435)	59.1 (300)	76.8 (390)
			Lift - unloaded (36v / 48v)		fpm (mm/sec)	105.3 (535)	126.0 (640)	105.3 (535)
		Lowering - loaded		fpm (mm/sec)	98.5 (500)		98.5 (500)	
			Lowering - unloaded		fpm (mm/sec)	97.5 (495)		97.5 (495)
		Drawbar Pull Maximum	Full load (36v / 48v)	lb (N)	2378 (10580)	2708 (12045)	2378 (10580)	2708 (12045)
Gradeability Maximum		Full load (36v / 48v)	%	20.8	24.0	18.5	21.5	
WEIGHT	Truck Weight*	Empty, minus battery	lbs (kg)	6550 (2970)		6945 (3150)		
	Weight Distribution	Full load front/rear - minus battery	lbs (kg)	8305 / 1245 (3770 / 565)		9135 / 1310 (4145 / 595)		
		No load front/rear - minus battery	lbs (kg)	2815 / 3735 (1275 / 1695)		2725 / 4220 (1235 / 1915)		
CHASSIS & WHEELS	Tire Size	Front	in	18 x 6 x 12-1/8		18 x 6 x 12-1/8		
		Rear	in	14 x 5 x 10		14 x 5 x 10		
	Wheelbase		in (mm)	48 (1220)		48 (1220)		
	Tread - Center of Tire	Front/rear (standard tires)	in (mm)	32.1 / 32.3 (815 / 820)		32.1 / 32.3 (815 / 820)		
	Headroom	SIP to bottom of OHG	in (mm)	36.1 (918)		36.1 (918)		
	Counterweight Height		in (mm)	42.3 (1075)		42.3 (1075)		
	Step Height		in (mm)	17.3 (440)		17.3 (440)		
	Ground Clearance	Under Mast		in (mm)	3.0 (75)		3.0 (75)	
		Under power unit		in (mm)	2.3 (60)		2.3 (60)	
		Under frame, center of wheelbase		in (mm)	3.1 (80)		3.1 (80)	
	Service Brake	Type		Hyd / Elec		Hyd / Elec		
	Parking Brake	Type		Pedal		Pedal		
Steering	On-demand		Hydraulic		Hydraulic			
DRIVE LINE	Traction Motor	Type		AC Induction		AC Induction		
		Control Type		MOS-INV		MOS-INV		
	Rating		kW/h	7.0	9.2	7.0	9.2	
		Pump Motor	Type		AC Induction		AC Induction	
Rating		kW/5 min	8.3	11.3	8.3	11.3		
BATTERY	Required Battery Size	Minimum - W x L	in (mm)	30.12 x 20.87 (765 x 530)		30.12 x 20.87 (765 x 530)		
		Minimum - H	in (mm)	21.37 (540)		21.37 (540)		
		Maximum - W x L	in (mm)	35.15 x 26.68 (895 x 680)		35.15 x 26.68 (895 x 680)		
		Maximum - H	in (mm)	22.81 (580)		22.81 (580)		
	Lead acid (36v / 48v)	Type		18-85-19	24-85-15	18-85-19	24-85-15	
		Capacity - Minimum (36v / 48v)	Ah/6h	600	450	600	450	
	Capacity - Maximum (36v / 48v)	Ah/6h	900	700	900	700		
	Weight	Minimum / Maximum	lb (kg)	1840 / 2535 (835 / 1150)		1840 / 2535 (835 / 1150)		
	Lead Length	Position B	in (mm)	18 (455)		18 (455)		
	Connector	Type		SB-350 Gray		SB-350 Gray		

* Specifications may change based on final truck configuration.

MAIN TRUCK SPECIFICATIONS

CHARACTERISTICS	1 Manufacturer's Name			UniCarriers		UniCarriers		UniCarriers	
	2 Model		Model designation	BXC40N		BXC40R		BXC50N	
	3 Long Model code			MCT1B2L20S		MCT1B2R20S		MCT1B2L25S	
	4	Rated Load Capacity	lbs. (kg)	4000 (1800)		4000 (1800)		5000 (2250)	
	5	Load Center	Distance	24 (600)		24 (600)		24 (600)	
	6	Power Type	Electric	36v 48v		36v 48v		36v 48v	
	7	Operator Orientation		Sit Down		Sit Down		Sit Down	
DIMENSIONS	8	Tire Type	Front & rear	Cushion		Cushion		Cushion	
	9	Wheels	Number- front/rear (x=driven)	2x / 2		2x / 2		2x / 2	
	10	Mast	Maximum fork height	130 (3300)		130 (3300)		130 (3300)	
	11		Mast lowered (OHL)	83.1 (2115)		83.1 (2115)		83.1 (2115)	
	12		Mast extended with LBR	179.3 (4555)		179.3 (4555)		179.3 (4555)	
	13		Standard freelif	4.1 (105)		4.1 (105)		4.1 (105)	
	14	Forks	Thickness & width	1.5 x 4 (40x100)		1.5 x 4 (40x100)		1.5 x 4 (40x100)	
	15		Length (STD)	42.1 (1070)		42.1 (1070)		42.1 (1070)	
	16	Tilt Angle	Standard mast - fwd/back	5 / 10		5 / 10		5 / 10	
	17	Overall Dimensions	Length (to face of forks)	84.8 (2155)		84.8 (2155)		86.2 (2190)	
	18		Width (standard tires)	42.1 (1070)		42.1 (1070)		42.1 (1070)	
	19		Height - top of OHG	87.4 (2220)		87.4 (2220)		87.4 (2220)	
	20		Height - top of LBR	48.0 (1220)		48.0 (1220)		48.0 (1220)	
	21		Width - standard carriage	36.2 (920)		36.2 (920)		36.2 (920)	
PERFORMANCE	22	Grade Clearance	Ramp breakover angle	31		31		31	
	23		Departure angle	35		35		33	
	24	Overhang	Front	16.7 (425)		16.7 (425)		16.7 (425)	
	25		Rear	18.5 (470)		18.5 (470)		19.9 (505)	
	26	Turning Radius	Minimum outside	72.6 (1845)		72.6 (1845)		73.8 (1875)	
	27	Minimum Right Angle Stack	Add load length & clearance	89.3 (2270)		89.3 (2270)		90.5 (2300)	
	28	Speeds Maximum	Travel - loaded (36v / 48v)	10.3 (16.5) 10.3 (16.5)		10.3 (16.5) 10.3 (16.5)		9.3 (15.0) 9.3 (15.0)	
	29		Travel - unloaded (36v / 48v)	10.6 (17.0) 10.6 (17.0)		10.6 (17.0) 10.6 (17.0)		10.6 (17.0) 10.6 (17.0)	
	30		Lift - loaded (36v / 48v)	69.0 (350) 75.8 (385)		69.0 (350) 75.8 (385)		63.0 (320) 67.9 (345)	
	31		Lift - unloaded (36v / 48v)	108.3 (550) 119.1 (605)		108.3 (550) 119.1 (605)		108.3 (550) 119.1 (605)	
	32		Lowering - loaded	98.5 (500)		98.5 (500)		98.5 (500)	
	33		Lowering - unloaded	97.5 (495)		97.5 (495)		97.5 (495)	
	34	Drawbar Pull Maximum	Full load (36v / 48v)	3410 (15170) 3482 (15490)		3410 (15170) 3482 (15490)		3410 (15170) 3482 (15490)	
	35	Gradeability Maximum	Full load (36v / 48v)	23.5 24.0		23.5 24.0		20.0 20.5	
WEIGHT	37	Truck Weight	Empty, minus battery	8090 (3670)		8090 (3670)		8950 (4060)	
	38	Weight Distribution	Full load front/rear - minus battery	10515 / 1575 (4770 / 715)		10585 / 1520 (4801 / 689)		12110 / 1840 (5495 / 835)	
	39		No load front/rear - minus battery	3230 / 4860 (1465 / 2205)		3300 / 4805 (14975 / 2180)		3000 / 5950 (1360 / 2700)	
CHASSIS & WHEELS	40	Tire Size	Front	21 x 7 x 15		21 x 7 x 15		21 x 7 x 15	
	41		Rear	16-1/4 x 6 x 11-1/4		16-1/4 x 6 x 11-1/4		16-1/4 x 6 x 11-1/4	
	42	Wheelbase		49.6 (1260)		49.6 (1260)		49.6 (1260)	
	43	Tread - Center of Tire	Front/rear (standard tires)	35.0 / 35.0 (890 / 890)		35.0 / 35.0 (890 / 890)		35.0 / 35.0 (890 / 890)	
	44	Headroom	SIP to bottom of OHG	36.1 (918)		36.1 (918)		36.1 (918)	
	45	Counterweight Height		43.5 (1105)		43.5 (1105)		43.5 (1105)	
	46	Step Height		18.5 (470)		18.5 (470)		18.5 (470)	
	47	Ground Clearance	Under Mast	3.1 (80)		3.1 (80)		3.1 (80)	
	48		Under power unit	3.9 (100)		3.9 (100)		3.9 (100)	
	49		Under frame, center of wheelbase	3.7 (95)		3.7 (95)		3.7 (95)	
DRIVE LINE	50	Service Brake	Type	Hyd / Elec		Hyd / Elec		Hyd / Elec	
	51	Parking Brake	Type	Pedal		Pedal		Pedal	
	52	Steering	On-demand	Hydraulic		Hydraulic		Hydraulic	
	53	Traction Motor	Type	AC Induction		AC Induction		AC Induction	
54		Control Type	MOS-INV		MOS-INV		MOS-INV		
55		Rating	9.0 12.0		9.0 12.0		9.0 12.0		
56	Pump Motor	Type	AC Induction		AC Induction		AC Induction		
57		Rating	12.8 13.7		12.8 13.7		12.8 13.7		
BATTERY	58	Required Battery Size	Minimum - W x L	37.62 x 22.06 (955 x 560)		37.62 x 22.06 (955 x 560)		37.62 x 22.06 (955 x 560)	
	59		Minimum - H	21.37 (540)		21.37 (540)		21.37 (540)	
	60		Maximum - W x L	39.06 x 28.25 (990 x 715)		39.06 x 30.47 (990 x 774)		39.06 x 28.25 (990 x 715)	
	61		Maximum - H	22.81 (575)		22.81 (575)		22.81 (575)	
	62		Lead acid (36v / 48v)	Type 18-95-23 24-95-17		18-95-23 24-95-17		18-95-23 24-95-17	
	63		Capacity - Minimum (36v / 48v)	825 600		825 600		825 600	
	64		Capacity - Maximum (36v / 48v)	1100 800		1320 990		1100 800	
	65	Weight	Minimum / Maximum	2491 / 3064 (1130 / 1390)		2491 / 3240 (1130 / 1470)		2491 / 3064 (1130 / 1390)	
66	Lead Length	Position B	18 (455)		18 (455)		18 (455)		
67	Connector	Type	SB-350 Gray		SB-350 Gray		SB-350 Gray		

MAIN TRUCK SPECIFICATIONS

CHARACTERISTICS	1	Manufacturer's Name		UniCarriers		UniCarriers		UniCarriers			
	2	Model	Model designation	BXC50R		BXC50LN		BXC60N			
	3		Long Model code	MCT1B2R25S		MCTG1B2L25S		MCTG1B2L30S			
	4	Rated Load Capacity		5000 (2250)		5000 (2250)		6000 (2700)			
DIMENSIONS	5	Load Center	Distance	24 (600)		24 (600)		24 (600)			
	6	Power Type	Electric	36v 48v		36v 48v		36v 48v			
	7	Operator Orientation		Sit Down		Sit Down		Sit Down			
	8	Tire Type	Front & rear	Cushion		Cushion		Cushion			
	9	Wheels	Number- front/rear (x=driven)	2x / 2		2x / 2		2x / 2			
	10	Mast	Maximum fork height	in (mm)	130 (3300)		130 (3300)		130 (3300)		
	11		Mast lowered (OHL)	in (mm)	83.1 (2115)		83.1 (2115)		83.1 (2115)		
	12		Mast extended with LBR	in (mm)	179.3 (4555)		179.3 (4555)		179.3 (4555)		
	13		Standard freelif	in (mm)	4.1 (105)		4.1 (105)		7.1 (180)		
	14	Forks	Thickness & width	in (mm)	1.5 x 4 (40x100)		1.5 x 4 (40x100)		2 x 5 (50x125)		
	15		Length (STD)	in (mm)	42.1 (1070)		42.1 (1070)		42.1 (1070)		
	16	Tilt Angle	Standard mast - fwd/back	degree	5 / 10		5 / 10		5 / 10		
	17	Overall Dimensions	Length (to face of forks)	in (mm)	86.2 (2190)		90.7 (2305)		94.1 (2390)		
	18		Width (standard tires)	in (mm)	42.1 (1070)		42.1 (1070)		43.3 (1100)		
	19		Height - top of OHG	in (mm)	87.4 (2220)		87.4 (2220)		87.4 (2220)		
	20		Height - top of LBR	in (mm)	48.0 (1220)		48.0 (1220)		48.0 (1220)		
	21		Width - standard carriage	in (mm)	36.2 (920)		36.2 (920)		40.2 (1020)		
	22	Grade Clearance	Ramp breakover angle	%	31		27		27		
	23		Departure angle	%	33		31		28		
	24	Overhang	Front	in (mm)	16.7 (425)		16.7 (425)		17.7 (450)		
	25		Rear	in (mm)	19.9 (505)		20.5 (520)		22.8 (580)		
	26	Turning Radius	Minimum outside	in (mm)	73.8 (1875)		78.9 (2005)		81.1 (2060)		
	27	Minimum Right Angle Stack	Add load length & clearance	in (mm)	90.5 (2300)		95.6 (2430)		98.8 (2510)		
	PERFORMANCE	28	Speeds Maximum	Travel - loaded (36v / 48v)	mph (km/h)	9.3 (15.0)	9.3 (15.0)	9.3 (15.0)	9.3 (15.0)	8.1 (13.0)	8.7 (14.0)
		29		Travel - unloaded (36v / 48v)	mph (km/h)	10.6 (17.0)	10.6 (17.0)	10.6 (17.0)	10.6 (17.0)	9.3 (15.0)	9.3 (15.0)
		30		Lift - loaded (36v / 48v)	fpm (mm/sec)	63.0 (320)	67.9 (345)	63.0 (320)	67.9 (345)	50.2 (255)	55.1 (280)
		31		Lift - unloaded (36v / 48v)	fpm (mm/sec)	108.3 (550)	119.1 (605)	108.3 (550)	119.1 (605)	92.5 (470)	101.4 (515)
32			Lowering - loaded	fpm (mm/sec)	98.5 (500)		98.5 (500)		98.5 (500)		
33			Lowering - unloaded	fpm (mm/sec)	97.5 (495)		97.5 (495)		97.5 (495)		
34		Drawbar Pull Maximum	Full load (36v / 48v)	lb (N)	3410 (15170)	3482 (15490)	3410 (15170)	3482 (15490)	3924 (17455)	4007 (17825)	
35	Gradeability Maximum	Full load (36v / 48v)	%	20.0	20.5	20.0	20.5	19.5	20.0		
WEIGHT	37	Truck Weight	Empty, minus battery	lbs (kg)	8090 (3670)		8820 (4000)		10550 (4785)		
	38	Weight Distribution	Full load front/rear - minus battery	lbs (kg)	12165 / 1785 (5518 / 810)		12100 / 1720 (5490 / 780)		14345 / 2205 (6505 / 1000)		
	39		No load front/rear - minus battery	lbs (kg)	3060 / 5890 (1389 / 2672)		3295 / 5525 (1495 / 2505)		3660 / 6890 (1660 / 3125)		
CHASSIS & WHEELS	40	Tire Size	Front	in	21 x 7 x 15		21 x 7 x 15		22 x 8 x 16		
	41		Rear	in	16-1/4 x 6 x 11-1/4		16-1/4 x 6 x 11-1/4		16-1/4 x 6 x 11-1/4		
	42	Wheelbase		in (mm)	49.6 (1260)		53.5 (1360)		53.5 (1360)		
	43	Tread - Center of Tire	Front/rear (standard tires)	in (mm)	35.0 / 35.0 (890 / 890)		35.0 / 35.0 (890 / 890)		35.2 / 35.0 (895 / 890)		
	44	Headroom	SIP to bottom of OHG	in (mm)	36.1 (918)		36.1 (918)		36.1 (918)		
	45	Counterweight Height		in (mm)	43.5 (1105)		43.5 (1105)		43.5 (1105)		
	46	Step Height		in (mm)	18.5 (470)		18.5 (470)		18.5 (470)		
	47	Ground Clearance	Under Mast	in (mm)	3.1 (80)		3.1 (80)		3.1 (80)		
	48		Under power unit	in (mm)	3.9 (100)		3.9 (100)		3.7 (95)		
	49		Under frame, center of wheelbase	in (mm)	3.7 (95)		3.7 (95)		3.5 (90)		
50	Service Brake	Type		Hyd / Elec		Hyd / Elec		Hyd / Elec			
51	Parking Brake	Type		Pedal		Pedal		Pedal			
52	Steering	On-demand		Hydraulic		Hydraulic		Hydraulic			
DRIVE LINE	53	Traction Motor	Type		AC Induction		AC Induction		AC Induction		
	54		Control Type		MOS-INV		MOS-INV		MOS-INV		
	55		Rating	kW/h	9.0	12.0	9.0	12.0	9.0	12.0	
	56	Pump Motor	Type		AC Induction		AC Induction		AC Induction		
57		Rating	kW/5 min	12.8	13.7	12.8	13.7	12.8	13.7		
BATTERY	58	Required Battery Size	Minimum - W x L	in (mm)	37.62 x 22.06 (955 x 560)		37.62 x 28.56 (955 x 725)		37.62 x 28.56 (955 x 725)		
	59		Minimum - H	in (mm)	21.37 (540)		21.37 (540)		21.37 (540)		
	60		Maximum - W x L	in (mm)	39.06 x 30.47 (990 x 774)		39.06 x 34.12 (990 x 715)		39.06 x 34.12 (990 x 865)		
	61		Maximum - H	in (mm)	22.81 (575)		22.81 (575)		22.81 (575)		
	62		Lead acid (36v / 48v)	Type	18-95-23	24-95-17	18-95-29	24-95-21	18-95-29	24-95-21	
	63		Capacity - Minimum (36v / 48v)	Ah/6h	825	600	1050	750	1050	750	
	64		Capacity - Maximum (36v / 48v)	Ah/6h	1320	990	1400	1000	1400	1000	
	65	Weight	Minimum / Maximum	lb (kg)	2491 / 3240 (1130 / 1470)		3075 / 3527 (1395 / 1600)		3075 / 3527 (1395 / 1600)		
	66	Lead Length	Position B	in (mm)	18 (455)		18 (455)		18 (455)		
	67	Connector	Type		SB-350 Gray		SB-350 Gray		SB-350 Gray		

MAIN TRUCK SPECIFICATIONS

CHARACTERISTICS	1 Manufacturer's Name		UniCarriers		UniCarriers			
	2 Model		BXC65N		BXC80N			
	3 Long Model code		MCTG1B2L33S		MCTG1B2L35S			
DIMENSIONS	4 Rated Load Capacity		lbs. (kg)		6500 (2900)			
	5 Load Center	Distance	in (mm)		24 (600)			
	6 Power Type	Electric	voltage		36v	48v		
	7 Operator Orientation				Sit Down			
	8 Tire Type	Front & rear			Cushion			
	9 Wheels	Number- front/rear (x=driven)			2x / 2			
	10 Mast	Maximum fork height	in (mm)	138 (3500)		138 (3500)		
	11	Mast lowered (OHL)	in (mm)	93.3 (2370)		93.3 (2370)		
	12	Mast extended with LBR	in (mm)	187.2 (4755)		187.2 (4755)		
	13	Standard freelif	in (mm)	10.6 (270)		10.6 (270)		
	14 Forks	Thickness & width	in (mm)	2 x 5 (50x125)		2 x 5 (50x125)		
	15	Length (STD)	in (mm)	42.1 (1070)		42.1 (1070)		
	16 Tilt Angle	Standard mast - fwd/back	degree	5 / 10		5 / 10		
	17 Overall Dimensions	Length (to face of forks)	in (mm)	96.5 (2450)		100.2 (2545)		
	18	Width (standard tires)	in (mm)	43.3 (1100)		43.3 (1100)		
	19	Height - top of OHG	in (mm)	87.4 (2220)		87.4 (2220)		
	20	Height - top of LBR	in (mm)	48.0 (1220)		48.0 (1220)		
	21	Width - standard carriage	in (mm)	40.2 (1020)		40.2 (1020)		
	22 Grade Clearance	Ramp breakover angle	%	27		23		
	23	Departure angle	%	26		33		
	24 Overhang	Front	in (mm)	17.9 (455)		17.9 (455)		
	25	Rear	in (mm)	25 (634)		19.3 (490)		
	26 Turning Radius	Minimum outside	in (mm)	83.1 (2110)		88.4 (2245)		
	27 Minimum Right Angle Stack	Add load length & clearance	in (mm)	101 (2565)		106.3 (2700)		
	PERFORMANCE	28 Speeds Maximum	Travel - loaded (36v / 48v)	mph (km/h)	7.4 (12.0)	8.1 (13.0)	7.1 (11.5)	7.8 (12.5)
		29	Travel - unloaded (36v / 48v)	mph (km/h)	9.3 (15.0)	9.3 (15.0)	9.0 (14.5)	9.0 (14.5)
		30	Lift - loaded (36v / 48v)	fpm (mm/sec)	43.3 (220)	46.3 (235)	43.3 (220)	46.3 (235)
31		Lift - unloaded (36v / 48v)	fpm (mm/sec)	77.8 (395)	84.7 (430)	77.8 (395)	84.7 (430)	
32		Lowering - loaded	fpm (mm/sec)	98.5 (500)		98.5 (500)		
33		Lowering - unloaded	fpm (mm/sec)	97.5 (495)		97.5 (495)		
34 Drawbar Pull Maximum		Full load (36v / 48v)	lb (N)	3924 (17455)	4007 (17825)	3924 (17455)	4007 (17825)	
35 Gradeability Maximum		Full load (36v / 48v)	%	16.5	16.5	16.5	16.5	
WEIGHT	37 Truck Weight	Empty, minus battery	lbs (kg)	11395 (5165)		12380 (5615)		
	38 Weight Distribution	Full load front/rear - minus battery	lbs (kg)	15280 / 2615 (6930 / 1185)		18000 / 2380 (8165 / 1080)		
	39	No load front/rear - minus battery	lbs (kg)	3690 / 7705 (1675 / 3495)		4675 / 7705 (2120 / 3495)		
CHASSIS & WHEELS	40 Tire Size	Front	in	22 x 8 x 16		22 x 8 x 16		
	41	Rear	in	16-1/4 x 6 x 11-1/4		16-1/4 x 6 x 11-1/4		
	42 Wheelbase		in (mm)	53.5 (1360)		63.0 (1600)		
	43 Tread - Center of Tire	Front/rear (standard tires)	in (mm)	35.2 / 35.0 (895 / 890)		35.2 / 35.0 (895 / 890)		
	44 Headroom	SIP to bottom of OHG	in (mm)	36.1 (918)		36.1 (918)		
	45 Counterweight Height		in (mm)	43.5 (1105)		43.5 (1105)		
	46 Step Height		in (mm)	18.5 (470)		18.5 (470)		
	47 Ground Clearance	Under Mast	in (mm)	3.1 (80)		3.1 (80)		
	48	Under power unit	in (mm)	3.7 (95)		3.7 (95)		
	49	Under frame, center of wheelbase	in (mm)	3.5 (90)		3.5 (90)		
	50 Service Brake	Type		Hyd / Elec		Hyd / Elec		
	51 Parking Brake	Type		Pedal		Pedal		
52 Steering	On-demand		Hydraulic		Hydraulic			
DRIVE LINE	53 Traction Motor	Type		AC Induction		AC Induction		
	54	Control Type		MOS-INV		MOS-INV		
	55	Rating	kW/h	9.0	12.0	9.0	12.0	
	56 Pump Motor	Type		AC Induction		AC Induction		
	57	Rating	kW/5 min	12.8	13.7	12.8	13.7	
BATTERY	58 Required Battery Size	Minimum - W x L	in (mm)	37.62 x 28.56 (955 x 725)		37.62 x 28.56 (955 x 725)		
	59	Minimum - H	in (mm)	21.37 (540)		21.37 (540)		
	60	Maximum - W x L	in (mm)	39.06 x 34.12 (990 x 865)		39.06 x 34.12 (990 x 865)		
	61	Maximum - H	in (mm)	22.81 (575)		22.81 (575)		
	62	Lead acid (36v / 48v)	Type	18-95-29	24-95-21	18-95-29	24-95-21	
	63	Capacity - Minimum (36v / 48v)	Ah/6h	1050	750	1200	1000	
	64	Capacity - Maximum (36v / 48v)	Ah/6h	1400	1000	1400	1200	
	65 Weight	Minimum / Maximum	lb (kg)	3075 / 3527 (1395 / 1600)		3351 / 3527 (1520 / 1600)		
	66 Lead Length	Position B	in (mm)	18 (455)		18 (455)		
	67 Connector	Type		SB-350 Gray		SB-350 Gray		

MAST SPECIFICATIONS & RATED CAPACITIES

Mast Name		Maximum Fork Height	Overall Height Fully Extended		Freelift		Overall Height Lowered	Tilt Angle Forward/Backward	Rated Capacity at 24 in (600mm) Load Center	
			Without LBR	With LBR	Without LBR	With LBR			BXC30N	BXC35N
			in (mm)	in (mm)	in (mm)	in (mm)				
TWO STAGE (Wide view 2W)	2W270	106 (2700)	130.3 (3310)	155.7 (3955)	3.9 (95)	3.9 (95)	71.1 (1810)	5/10	3000 (1350)	3500 (1600)
	2W300	118 (3000)	142.1 (3610)	167.5 (4255)	3.9 (95)	3.9 (95)	77.0 (1960)	5/10	3000 (1350)	3500 (1600)
	2W330	130 (3300)	153.9 (3910)	179.3 (4555)	3.9 (95)	3.9 (95)	82.9 (2110)	5/10	3000 (1350)	3500 (1600)
	2W350	138 (3500)	161.8 (4110)	187.2 (4755)	3.9 (95)	3.9 (95)	88.2 (2240)	5/10	3000 (1350)	3500 (1600)
	2W370	146 (3700)	169.7 (4310)	195.1 (4955)	3.9 (95)	3.9 (95)	93.1 (2365)	5/10	3000 (1350)	3500 (1600)
	2W400	157 (4000)	181.5 (4610)	206.9 (5255)	3.9 (95)	3.9 (95)	100.6 (2555)	5/10	3000 (1350)	3200 (1450)
	2W450	177 (4500)	201.2 (5110)	226.6 (5755)	3.9 (95)	3.9 (95)	110.4 (2805)	5/5	2850 (1300)	3000 (1350)
2W500	197 (5000)	220.9 (5610)	246.3 (6255)	3.9 (95)	3.9 (95)	120.3 (3060)	5/5	2500 (1150)	2600 (1200)	
TWO STAGE (Full free 2F)	2F300	118 (3000)	143.7 (3650)	167.5 (4255)	53.0 (1345)	29.1 (740)	77.0 (1960)	5/10	3000 (1350)	3500 (1600)
	2F330	130 (3300)	155.5 (3950)	179.3 (4555)	58.9 (1495)	35.0 (890)	82.9 (2110)	5/10	3000 (1350)	3500 (1600)
	2F350	138 (3500)	163.4 (4150)	187.2 (4755)	64.2 (1630)	40.4 (1025)	88.2 (2240)	5/10	3000 (1350)	3500 (1600)
	2F370	146 (3700)	171.3 (4350)	195.1 (4955)	69.1 (1755)	45.3 (1150)	93.1 (2365)	5/10	3000 (1350)	3500 (1600)
	2F400	157 (4000)	183.1 (4650)	206.9 (5255)	76.6 (1945)	52.8 (1340)	100.6 (2555)	5/10	3000 (1350)	3200 (1450)
THREE STAGE (Full free 3F)	3F385	152 (3850)	175.8 (4465)	201.0 (5105)	48.4 (1225)	23.2 (590)	71.1 (1810)	5/5	3000 (1350)	3500 (1600)
	3F430	169 (4300)	193.5 (4915)	218.7 (5555)	54.3 (1375)	29.1 (740)	77.0 (1960)	5/5	2800 (1250)	3300 (1500)
	3F475	187 (4750)	211.2 (5365)	236.4 (6005)	60.2 (1525)	35.0 (890)	82.9 (2110)	5/5	2600 (1200)	2700 (1200)
	3F515	203 (5150)	227.2 (5770)	252.4 (6410)	65.6 (1665)	40.4 (1025)	88.2 (2240)	5/5	2400 (1100)	2500 (1150)
	3F550	217 (5500)	240.7 (6115)	265.9 (6755)	70.5 (1790)	45.3 (1150)	93.1 (2365)	5/5	2200 (1000)	2300 (1050)
	3F600	236 (6000)	260.4 (6615)	285.6 (7255)	78.0 (1980)	52.8 (1340)	100.6 (2555)	5/5	1700 (750)	1800 (800)
THREE STAGE OPTVIEW® (3V)	3V360	142 (3600)	165.2 (4195)	191.1 (4855)	49.2 (1250)	23.2 (590)	71.1 (1810)	5/5	2850 (1300)	3350 (1500)
	3V405	159 (4050)	182.9 (4645)	208.9 (5305)	55.1 (1400)	29.1 (740)	77.0 (1960)	5/5	2750 (1250)	3200 (1450)
	3V450	177 (4500)	200.6 (5095)	226.6 (5755)	61.0 (1545)	35.0 (890)	82.9 (2110)	5/5	2650 (1200)	2900 (1300)
	3V490	193 (4900)	216.3 (5495)	242.3 (6155)	66.3 (1680)	40.4 (1025)	88.2 (2240)	5/5	2500 (1150)	2650 (1200)
	3V525	207 (5250)	230.1 (5845)	256.1 (6505)	71.3 (1810)	45.3 (1150)	93.1 (2365)	5/5	2350 (1050)	2450 (1100)
	3V575	226 (5750)	249.8 (6345)	275.8 (7005)	78.7 (1995)	52.8 (1340)	100.6 (2555)	5/5	1950 (900)	2050 (950)

Mast Name		Maximum Fork Height	Overall Height Fully Extended		Freelift		Overall Height Lowered	Tilt Angle Forward/Backward	Rated Capacity at 24 in (600mm) Load Center	
			Without LBR	With LBR	Without LBR	With LBR			BXC40N	BXC50(L/R)N
			in (mm)	in (mm)	in (mm)	in (mm)				
TWO STAGE (Wide view 2W)	2W270	106 (2700)	130.1 (3305)	155.7 (3955)	4.1 (100)	4.1 (100)	71.3 (1815)	5/10	4000 (1800)	5000 (2250)
	2W300	118 (3000)	141.9 (3605)	167.5 (4255)	4.1 (100)	4.1 (100)	77.2 (1965)	5/10	4000 (1800)	5000 (2250)
	2W330	130 (3300)	153.7 (3905)	179.3 (4555)	4.1 (100)	4.1 (100)	83.1 (2115)	5/10	4000 (1800)	5000 (2250)
	2W350	138 (3500)	161.6 (4105)	187.2 (4755)	4.1 (100)	4.1 (100)	88.4 (2245)	5/10	4000 (1800)	5000 (2250)
	2W370	146 (3700)	169.5 (4305)	195.1 (4955)	4.1 (100)	4.1 (100)	93.3 (2370)	5/10	4000 (1800)	5000 (2250)
	2W400	157 (4000)	181.3 (4605)	206.9 (5255)	4.1 (100)	4.1 (100)	100.8 (2560)	5/10	4000 (1800)	5000 (2250)
	2W450	177 (4500)	201.0 (5105)	226.6 (5755)	4.1 (100)	4.1 (100)	110.6 (2810)	5/5	3800 (1700)	4850 (2200)
	2W500	197 (5000)	220.7 (5605)	246.3 (6255)	4.1 (100)	4.1 (100)	120.5 (3065)	5/5	3600 (1650)	3900 (1750)
TWO STAGE (Full free 2F)	2F300	118 (3000)	143.5 (3645)	167.5 (4255)	53.3 (1355)	53.3 (1355)	77.2 (1965)	5/10	4000 (1800)	5000 (2250)
	2F330	130 (3300)	155.3 (3945)	179.3 (4555)	59.3 (1505)	59.3 (1505)	83.1 (2115)	5/10	4000 (1800)	5000 (2250)
	2F350	138 (3500)	163.2 (4145)	187.2 (4755)	64.6 (1640)	64.6 (1640)	88.4 (2245)	5/10	4000 (1800)	5000 (2250)
	2F370	146 (3700)	171.1 (4345)	195.1 (4955)	69.5 (1765)	69.5 (1765)	93.3 (2370)	5/10	4000 (1800)	5000 (2250)
	2F400	157 (4000)	182.9 (4645)	206.9 (5255)	77.0 (1955)	77.0 (1955)	100.8 (2560)	5/10	4000 (1800)	5000 (2250)
THREE STAGE (Full free 3F)	3F385	152 (3850)	176.0 (4470)	201.0 (5105)	48.4 (1230)	48.4 (1230)	71.3 (1815)	5/5	4000 (1800)	5000 (2250)
	3F430	169 (4300)	193.7 (4920)	218.7 (5555)	54.3 (1380)	54.3 (1380)	77.2 (1965)	5/5	3900 (1750)	4850 (2200)
	3F475	187 (4750)	211.4 (5370)	236.4 (6005)	60.2 (1530)	60.2 (1530)	83.1 (2115)	5/5	3700 (1700)	4700 (2150)
	3F515	203 (5150)	227.4 (5775)	252.4 (6410)	65.6 (1665)	65.6 (1665)	88.4 (2245)	5/5	3300 (1500)	4250 (1950)
	3F550	217 (5500)	240.9 (6120)	265.9 (6755)	70.5 (1790)	70.5 (1790)	93.3 (2370)	5/5	3100 (1400)	3700 (1700)
	3F600	236 (6000)	260.6 (6620)	285.6 (7255)	78.0 (1980)	78.0 (1980)	100.8 (2560)	5/5	2300 (1050)	2900 (1300)
THREE STAGE OPTVIEW® (3V)	3V360	142 (3600)	165.2 (4195)	191.1 (4855)	49.4 (1255)	49.4 (1255)	71.3 (1815)	5/5	3950 (1750)	4900 (2250)
	3V405	159 (4050)	182.9 (4645)	208.9 (5305)	55.3 (1405)	55.3 (1405)	77.2 (1965)	5/5	3800 (1700)	4750 (2150)
	3V450	177 (4500)	200.6 (5095)	226.6 (5755)	61.2 (1555)	61.2 (1555)	83.1 (2115)	5/5	3650 (1650)	4550 (2100)
	3V490	193 (4900)	216.3 (5495)	242.3 (6155)	66.5 (1690)	66.5 (1690)	88.4 (2245)	5/5	3500 (1600)	4500 (2050)
	3V525	207 (5250)	230.1 (5845)	256.1 (6505)	71.5 (1815)	71.5 (1815)	93.3 (2370)	5/5	3250 (1500)	4100 (1850)
	3V575	226 (5750)	249.8 (6345)	275.8 (7005)	78.9 (2005)	78.9 (2005)	100.8 (2560)	5/5	2700 (1200)	3050 (1400)

MAST SPECIFICATIONS & RATED CAPACITIES

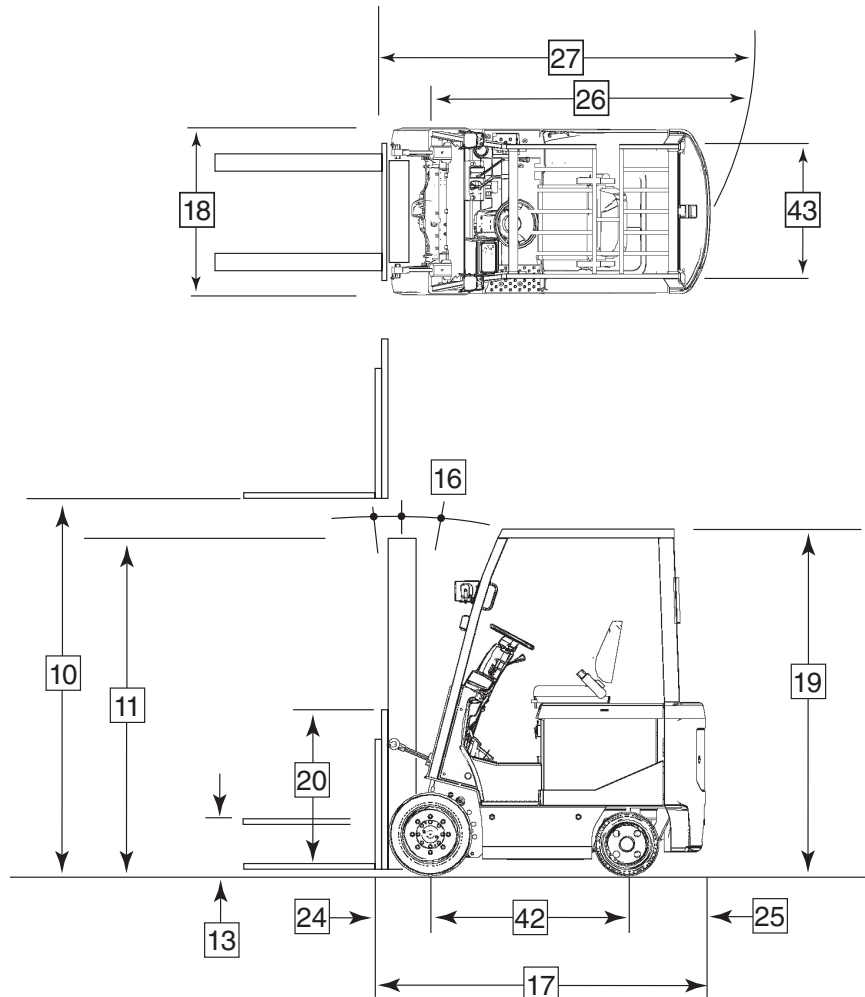
Mast Name		Maximum Fork Height	Overall Height Fully Extended		Freelift		Overall Height Lowered	Tilt Angle Forward/Backward	Rated Capacity at
			Without LBR	With LBR	Without LBR	With LBR			24 in (600mm) Load Center
			in (mm)	in (mm)	in (mm)	in (mm)			BXC60N
								degrees	lb (kg)
TWO STAGE (Wide view 2W)	2H270	106 (2700)	132.5 (3365)	155.7 (3955)	7.1 (180)	7.1 (180)	71.3 (1815)	5/10	6000 (2700)
	2H300	118 (3000)	144.3 (3665)	167.5 (4255)	7.1 (180)	7.1 (180)	77.2 (1965)	5/10	6000 (2700)
	2H330	130 (3300)	156.1 (3965)	179.3 (4555)	7.1 (180)	7.1 (180)	83.1 (2115)	5/10	6000 (2700)
	2H350	138 (3500)	164.0 (4165)	187.2 (4755)	7.1 (180)	7.1 (180)	88.4 (2245)	5/10	6000 (2700)
	2H370	146 (3700)	171.9 (4365)	195.1 (4955)	10.6 (265)	10.6 (265)	93.3 (2370)	5/10	6000 (2700)
	2H400	157 (4000)	183.7 (4665)	206.9 (5255)	10.6 (265)	10.6 (265)	100.8 (2560)	5/10	6000 (2700)
	2H450	177 (4500)	203.3 (5165)	226.6 (5755)	10.6 (265)	10.6 (265)	110.6 (2810)	5/5	5750 (2600)
	2H500	197 (5000)	223.0 (5665)	246.3 (6255)	10.6 (265)	10.6 (265)	120.5 (3065)	5/5	5500 (2500)
TWO STAGE (Full free 2F)	2F300	118 (3000)	144.3 (3665)	167.5 (4255)	53.0 (1345)	29.7 (755)	77.2 (1965)	5/10	6000 (2700)
	2F330	130 (3300)	156.1 (3965)	179.3 (4555)	58.9 (1495)	35.6 (905)	83.1 (2115)	5/10	6000 (2700)
	2F350	138 (3500)	164.0 (4165)	187.2 (4755)	64.2 (1630)	40.9 (1040)	88.4 (2245)	5/10	6000 (2700)
	2F370	146 (3700)	171.9 (4365)	195.1 (4955)	69.1 (1755)	45.9 (1165)	93.3 (2370)	5/10	6000 (2700)
	2F400	157 (4000)	183.7 (4665)	206.9 (5255)	76.6 (1945)	53.3 (1355)	100.8 (2560)	5/10	6000 (2700)
THREE STAGE (Full free 3F)	3F385	152 (3850)	177.8 (4515)	201.0 (5105)	53.0 (1345)	29.7 (755)	77.2 (1965)	5/5	6000 (2700)
	3F430	169 (4300)	195.5 (4965)	218.7 (5555)	58.9 (1495)	35.6 (905)	83.1 (2115)	5/5	5700 (2600)
	3F475	187 (4750)	213.2 (5415)	236.4 (6005)	64.2 (1630)	40.9 (1040)	88.4 (2245)	5/5	5550 (2500)
	3F515	203 (5150)	229.1 (5820)	252.4 (6410)	69.1 (1755)	45.9 (1165)	93.3 (2370)	5/5	5200 (2350)
	3F550	217 (5500)	242.7 (6165)	265.9 (6755)	76.6 (1945)	53.3 (1355)	100.8 (2560)	5/5	4850 (2200)
	3F600	236 (6000)	262.4 (6665)	285.6 (7255)	86.4 (2195)	63.2 (1605)	110.6 (2810)	5/5	3300 (1500)
THREE STAGE OPTVIEW® (3V)	3V385	152 (3850)	177.8 (4515)	201.0 (5105)	53.0 (1345)	29.7 (755)	77.2 (1965)	5/5	5650 (2550)
	3V430	169 (4300)	195.5 (4965)	218.7 (5555)	58.9 (1495)	35.6 (905)	83.1 (2115)	5/5	5450 (2450)
	3V470	185 (4700)	211.2 (5365)	234.4 (5955)	64.2 (1630)	40.9 (1040)	88.4 (2245)	5/5	5300 (2400)
	3V505	199 (5050)	225.0 (5715)	248.2 (6305)	69.1 (1755)	45.9 (1165)	93.3 (2370)	5/5	5000 (2250)
	3V555	219 (5550)	244.7 (6215)	267.9 (6805)	76.6 (1945)	53.3 (1355)	100.8 (2560)	5/5	4500 (2050)

Mast Name		Maximum Fork Height	Overall Height Fully Extended		Freelift		Overall Height Lowered	Tilt Angle Forward/Backward	Rated Capacity at
			Without LBR	With LBR	Without LBR	With LBR			24 in (600mm) Load Center
			in (mm)	in (mm)	in (mm)	in (mm)			BXC65N
								degrees	lb (kg)
TWO STAGE (Wide view 2W)	2H280	110 (2800)	138.4 (3515)	159.6 (4055)	7.1 (180)	7.1 (180)	77.2 (1965)	5/10	6500 (2950)
	2H310	122 (3100)	150.2 (3815)	171.5 (4355)	7.1 (180)	7.1 (180)	83.1 (2115)	5/10	6500 (2950)
	2H350	138 (3500)	165.9 (4215)	187.2 (4755)	10.6 (265)	10.6 (265)	93.3 (2370)	5/10	6500 (2950)
	2H380	150 (3800)	177.8 (4515)	199.0 (5055)	10.6 (265)	10.6 (265)	100.8 (2560)	5/10	6500 (2950)
	2H430	169 (4300)	197.4 (5015)	218.7 (5555)	10.6 (265)	10.6 (265)	110.6 (2810)	5/10	6500 (2950)
TWO STAGE (Full free 2F)	2F280	110 (2800)	138.4 (3515)	159.6 (4055)	51.0 (1295)	29.7 (755)	77.2 (1965)	5/10	6500 (2950)
	2F310	122 (3100)	150.2 (3815)	171.5 (4355)	56.9 (1445)	35.6 (905)	83.1 (2115)	5/10	6500 (2950)
	2F350	138 (3500)	165.9 (4215)	187.2 (4755)	67.1 (1700)	45.9 (1165)	93.3 (2370)	5/10	6500 (2950)
	2F380	150 (3800)	177.8 (4515)	199.0 (5055)	74.6 (1895)	53.3 (1355)	100.8 (2560)	5/10	6500 (2950)
THREE STAGE (Full free 3F)	3F400	157 (4000)	185.6 (4715)	206.9 (5255)	51.0 (1295)	29.7 (755)	77.2 (1965)	5/5	6500 (2950)
	3F445	175 (4450)	203.3 (5165)	224.6 (5705)	56.9 (1445)	35.6 (905)	83.1 (2115)	5/5	6500 (2950)
	3F485	191 (4850)	219.3 (5570)	240.6 (6110)	62.2 (1580)	40.9 (1040)	88.4 (2245)	5/5	6450 (2950)
	3F520	205 (5200)	232.9 (5915)	254.1 (6455)	67.1 (1700)	45.9 (1165)	93.3 (2370)	5/5	6300 (2850)
	3F570	224 (5700)	252.6 (6415)	273.8 (6955)	74.6 (1895)	53.3 (1355)	100.8 (2560)	5/5	3620 (1650)
THREE STAGE OPTVIEW® (3V)	3V385	152 (3850)	178.5 (4535)	201.0 (5105)	52.2 (1325)	29.7 (755)	77.2 (1965)	5/5	6500 (2950)
	3V430	169 (4300)	196.3 (4985)	218.7 (5555)	58.1 (1475)	35.6 (905)	83.1 (2115)	5/5	6400 (2900)
	3V470	185 (4700)	212.0 (5385)	234.4 (5955)	63.4 (1610)	40.9 (1040)	88.4 (2245)	5/5	6200 (2800)
	3V505	199 (5050)	225.8 (5735)	248.2 (6305)	68.3 (1735)	45.9 (1165)	93.3 (2370)	5/5	6050 (2750)
	3V555	219 (5550)	245.5 (6235)	267.9 (6805)	75.8 (1925)	53.3 (1355)	100.8 (2560)	5/5	5800 (2650)

MAST SPECIFICATIONS & RATED CAPACITIES

Mast Name	Maximum Fork Height	Overall Height Fully Extended		Freelift		Overall Height Lowered	Tilt Angle Forward/Backward	Rated Capacity at 24 in (600mm) Load Center	
		Without LBR	With LBR	Without LBR	With LBR				
		in (mm)	in (mm)	in (mm)	in (mm)				
TWO STAGE STAGE (Wide view 2W)	2H280	110 (2800)	138.4 (3515)	159.6 (4055)	7.1 (180)	7.1 (180)	77.2 (1965)	5/10	8000 (3500)
	2H310	122 (3100)	150.2 (3815)	171.5 (4355)	7.1 (180)	7.1 (180)	83.1 (2115)	5/10	8000 (3500)
	2H350	138 (3500)	165.9 (4215)	187.2 (4755)	10.6 (265)	10.6 (265)	93.3 (2370)	5/10	8000 (3500)
	2H380	150 (3800)	177.8 (4515)	199.0 (5055)	10.6 (265)	10.6 (265)	100.8 (2560)	5/10	8000 (3500)
	2H430	169 (4300)	197.4 (5015)	218.7 (5555)	10.6 (265)	10.6 (265)	110.6 (2810)	5/10	8000 (3500)
TWO STAGE STAGE (Full free 2F)	2F280	110 (2800)	138.4 (3515)	159.6 (4055)	51.0 (1295)	29.7 (755)	77.2 (1965)	5/10	8000 (3500)
	2F310	122 (3100)	150.2 (3815)	171.5 (4355)	56.9 (1445)	35.6 (905)	83.1 (2115)	5/10	8000 (3500)
	2F350	138 (3500)	165.9 (4215)	187.2 (4755)	67.1 (1700)	45.9 (1165)	93.3 (2370)	5/10	8000 (3500)
	2F380	150 (3800)	177.8 (4515)	199.0 (5055)	74.6 (1895)	53.3 (1355)	100.8 (2560)	5/10	8000 (3500)
THREE STAGE STAGE (Full free 3F)	3F400	157 (4000)	185.6 (4715)	206.9 (5255)	51.0 (1295)	29.7 (755)	77.2 (1965)	5/5	8000 (3500)
	3F445	175 (4450)	203.3 (5165)	224.6 (5705)	56.9 (1445)	35.6 (905)	83.1 (2115)	5/5	7700 (3450)
	3F485	191 (4850)	219.3 (5570)	240.6 (6110)	62.2 (1580)	40.9 (1040)	88.4 (2245)	5/5	7550 (3400)
	3F520	205 (5200)	232.9 (5915)	254.1 (6455)	67.1 (1700)	45.9 (1165)	93.3 (2370)	5/5	7200 (3250)
	3F570	224 (5700)	252.6 (6415)	273.8 (6955)	74.6 (1895)	53.3 (1355)	100.8 (2560)	5/5	6850 (3100)
THREE STAGE OPTVIEW® (3V)	3V385	152 (3850)	178.5 (4535)	201.0 (5105)	52.2 (1325)	29.7 (755)	77.2 (1965)	5/5	7650 (3450)
	3V430	169 (4300)	196.3 (4985)	218.7 (5555)	58.1 (1475)	35.6 (905)	83.1 (2115)	5/5	7450 (3350)
	3V470	185 (4700)	212.0 (5385)	234.4 (5955)	63.4 (1610)	40.9 (1040)	88.4 (2245)	5/5	7300 (3300)
	3V505	199 (5050)	225.8 (5735)	248.2 (6305)	68.3 (1735)	45.9 (1165)	93.3 (2370)	5/5	7000 (3150)
	3V555	219 (5550)	245.5 (6235)	267.9 (6805)	75.8 (1925)	53.3 (1355)	100.8 (2560)	5/5	6500 (2950)

DIMENSIONS



STANDARD EQUIPMENT

Vehicle Management

- AC TECH motor controller system
- 3 pre-set performance modes (Economy, Power, High Power)
- 1 Manual (custom) performance mode
- Secure, PIN access to personalized performance settings
- Multi-function LCD:
 - Hour meters (4), clock, calendar
 - Operator PIN security access
 - On-board diagnostics
 - Programmable service reminders
 - Speedometer and F/N/R transmission reminder
 - BDI with lift interrupt
- On-board diagnostics, self-test and error code history
- Flex-logic acceleration control

Battery/Electrical

- 36/48-Volt, brushless AC drive, motor, lift and steering systems
- Larger battery box to accommodate up to 25 plate batteries⁵

Brake

- 5-mode regenerative braking (including controlled rollback)
- Foot-applied parking brake with warning buzzer

Hydraulic System

- Exclusive single lift/tilt control lever
- Load sensing, on-demand AC controlled hydraulic power steering

Operator Conveniences

- Full suspension, fold down cloth seat with weight and lumbar adjustment, operator restraint, and anti-cinching retractable seatbelt
- Auto-Power off system
- Infinitely adjustable steering wheel
- Small diameter steering wheel
- Overhead guard mounted headlights
- Five-piece overhead guard

Protection/security

- Operator Presence System with seat-actuated lift-interrupt system, return to neutral, seatbelt and parking brake warning buzzers
- Audible back-up warning alarm
- Cushioned stability control
- U.L. "ES" rated electrical system

OPTIONAL EQUIPMENT*

- Battery compartment rollers¹
- Exclusive three-stage OPTIVIEW® mast
- High visibility carriage²
- Separate lift and tilt hydraulic control levers
- Auto-fork leveling
- Hydraulic accumulator in the lift system
- Hang-on and integral sidershifters
- Sidershifting fork positioner
- Extra forward tilt
- Quick disconnects
- Freezer package³
- Rearview mirrors
- Rear work light
- Blue LED pedestrian awareness light
- Rear combination light package (turn, stop, backup)
- Self-adjusting back-up alarm
- Orange seatbelt
- Rear assist grip with horn button
- Steering wheel with spinner knob
- U.L. "EE" rated electrical system
- Strobe light
- Fire extinguisher
- Overhead guard modifications (drive-in racking, extensions, etc.)
- Magnetic convenience tray
- Traction, or smooth, non-marking tires
- Standard, or polished and tapered, forks in a variety of lengths
- Single, or dual, IHR for all available mast types
- Full suspension cloth or vinyl swivel seats⁴

¹ Battery roller height from floor – 18.8" (480mm)

² Available up to 5,000 lbs capacity

³ Operate down to -31°F (-35°C) in ½ hour intervals

⁴ Only available on 4,000 - 8,000 capacities

⁵ BXC40R and BXC50R

* Some optional equipment may require extended lead time. Contact your UniCarriers dealer for details.

SS-BXC 04-2020 Printed in U.S.A.

UniCarriers® is a registered trademark of UniCarriers Corporation. OPTIVIEW® is a registered trademark of UniCarriers Americas. UniCarriers Americas Corporation reserves the right to make product changes relating to colors, equipment, specifications or available options without notice. For more information, contact your UniCarriers representative.



UniCarriersAmericas.com