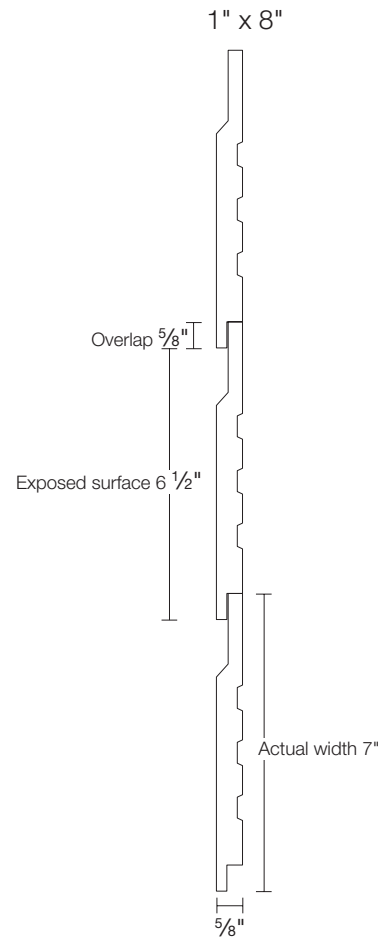
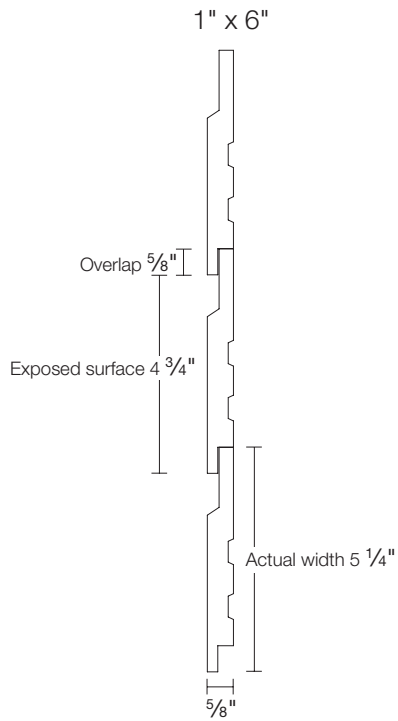
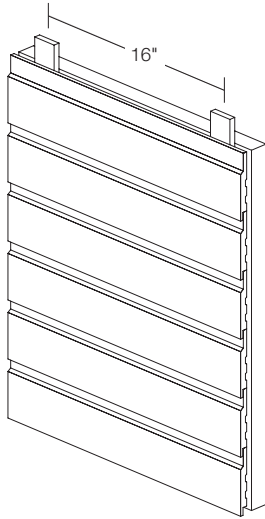


Channel



Nominal dimensions	Actual dimensions	Overlap	Exposed surface	Conversion factor
1" x 6"	5/8" x 5 1/4"	5/8"	4 3/4"	1.26
1" x 8"	5/8" x 7"		6 1/2"	1.23