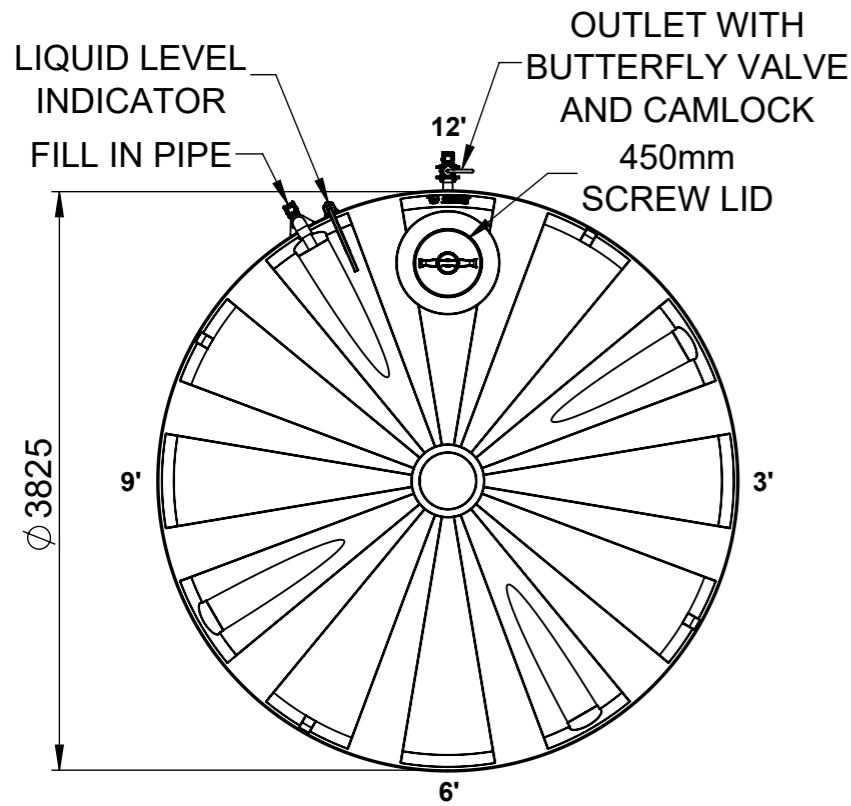


25,000 LITRE (33 TONNE) LIQUID FERTILISER STORAGE TANK



TOP VIEW

INSTALLATION:

TANKS ARE TO BE INSTALLED ON A WELL COMPACTED, LEVELLED EARTH PAD, FREE FROM SHARP OR LOCALISED HARD STONES/OBJECTS THAT COULD DAMAGE THE TANK BASE. THE ROOF OF THIS TANK IS INTENDED ONLY TO COVER AND IS NOT TO BE TRAFFICABLE ROOF.

MATERIAL:

LLDPE MATERIAL DESIGNED SPECIFICALLY FOR ROTATIONAL MOULDING APPLICATIONS DELIVERING A HIGH ESCR, CHEMICAL RESISTANCE, STIFFNESS AND TOUGHNESS WHICH IS UV STABILISED TO PROVIDE PROLONGED OUTDOOR PROTECTION IN HARSH AUSTRALIAN CONDITIONS.

STANDARDS:

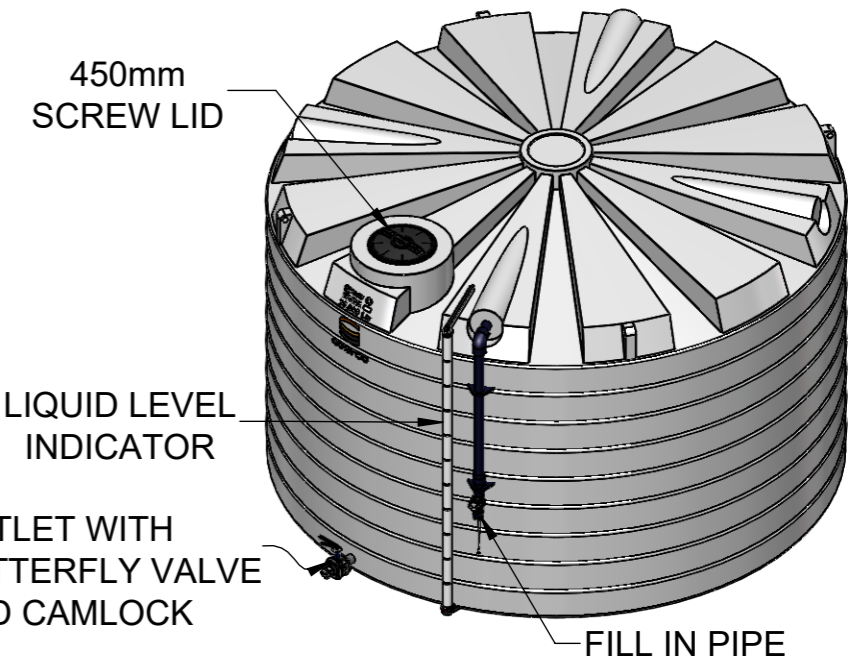
ALL TANKS BY COERCO ARE MANUFACTURED IN GUIDANCE WITH AUST STANDARD AS4766 AND ARE STRUCTURALLY ENGINEERED TO CONFORM TO CYCLONIC AREAS AND STRESS ANALYSIS TESTING REQUIREMENTS.

DIMENSIONS:

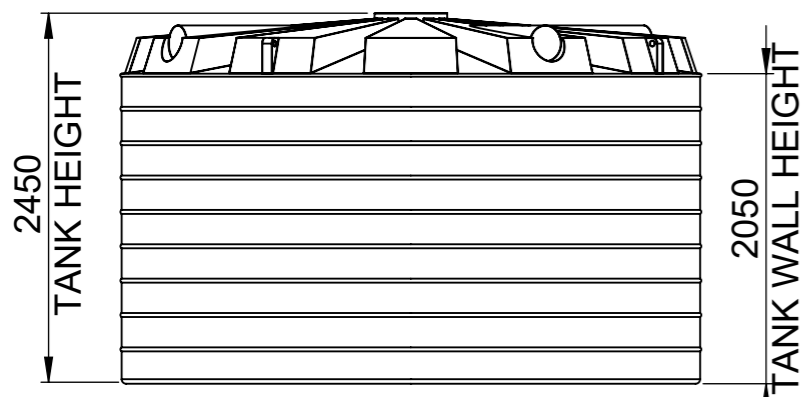
DIMENSIONS MAY VARY SLIGHTLY DUE TO THE SHRINKAGE NATURE OF POLYETHYLENE.

NOTE:

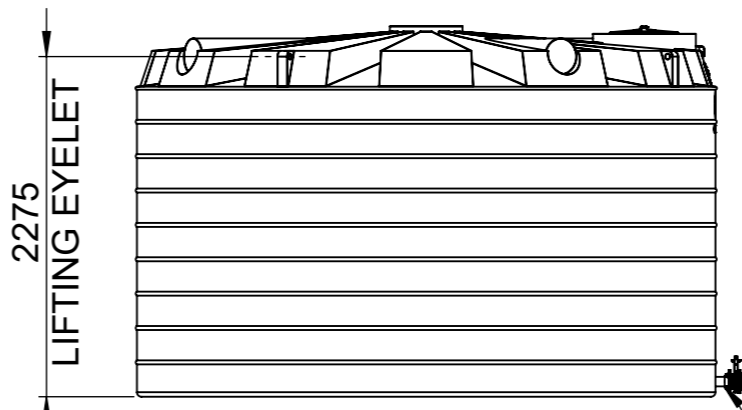
THIS DRAWING DETAILS COERCO'S **STANDARD** FERTILISER TANK FITOUT. STANDARD OUTLET & FILL LINE SIZE IS 50mm (2") WITH LARGER SIZES OPTIONAL.



PERSPECTIVE VIEW

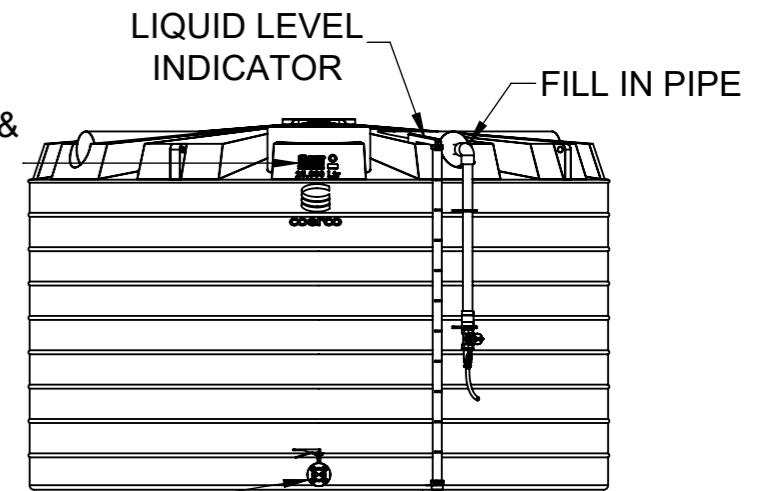


6 O'CLOCK VIEW



3 O'CLOCK VIEW

SPECIFICATIONS & SERIAL NUMBER



12 O'CLOCK VIEW

OUTLET WITH BUTTERFLY VALVE AND CAMLOCK



DATE	26/09/2019
PRODUCT	25,000LTR (33 TONNE) LIQUID FERTILISER STORAGE TANK
PRODUCT CODE	LF25000
DRAWING No	C-LF25000-001

MATERIAL	LOW DENSITY POLYETHYLENE
SURFACE FINISH	POLISHED
WALL THICKNESS	
SCALE	NOT TO SCALE

REVISIONS	REV	BY	DATE	DESCRIPTION
	0	GT	26/09/2019	ORIGINAL CAD DRAWING ISSUED

SHEET 1 OF 1
CHKD
APVD
SHEET SIZE A3

© THIS DRAWING IS THE COPYRIGHT OF COERCO. IT CANNOT BE COPIED IN PART OR FULL WITHOUT THE WRITTEN PERMISSION OF COERCO