

# 10,500LTR FLAT WALLED POLY WATER TANK

## INSTALLATION:

TANKS ARE TO BE INSTALLED ON A WELL COMPACTED, LEVELLED EARTH PAD, FREE FROM SHARP OR LOCALISED HARD STONES/OBJECTS THAT COULD DAMAGE THE TANK BASE. THE ROOF OF THIS TANK IS INTENDED ONLY TO COVER AND IS NOT TO BE TRAFFICABLE ROOF.

## MATERIAL:

LLDPE MATERIAL DESIGNED SPECIFICALLY FOR ROTATIONAL MOULDING APPLICATIONS DELIVERING A HIGH ESCR, CHEMICAL RESISTANCE, STIFFNESS AND TOUGHNESS WHICH IS UV STABILISED TO PROVIDE PROLONGED OUTDOOR PROTECTION IN HARSH AUSTRALIAN CONDITIONS.

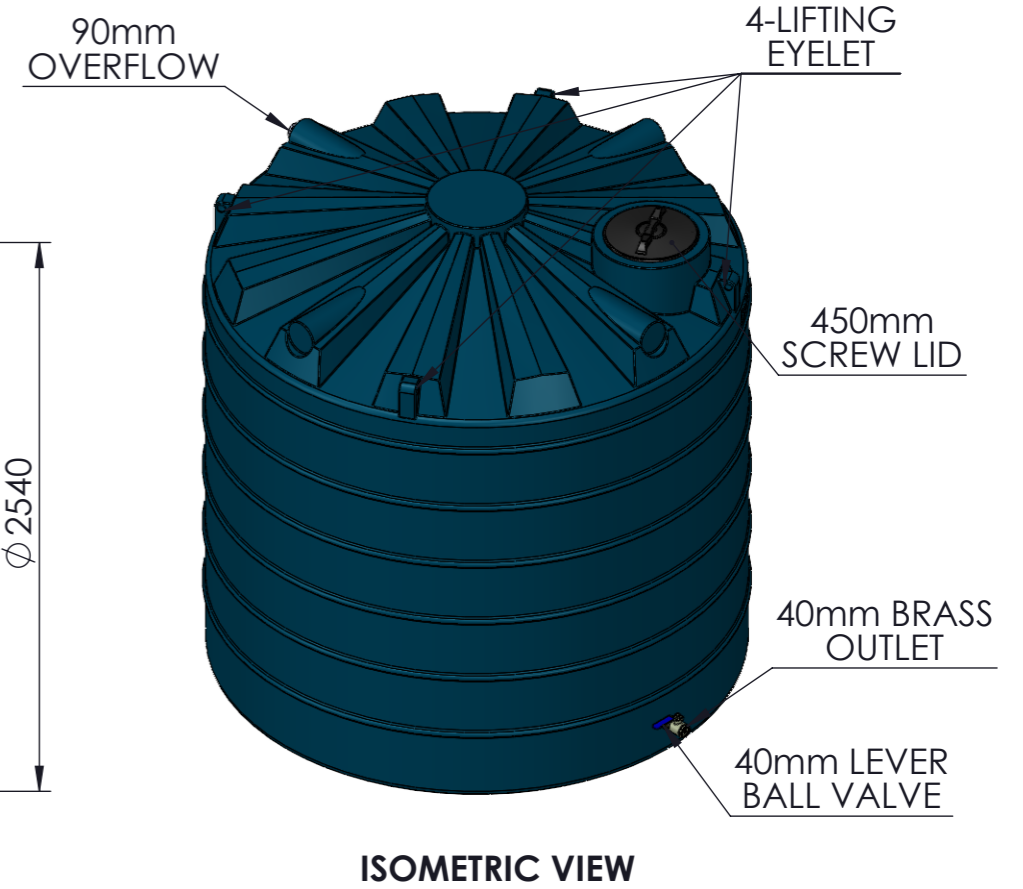
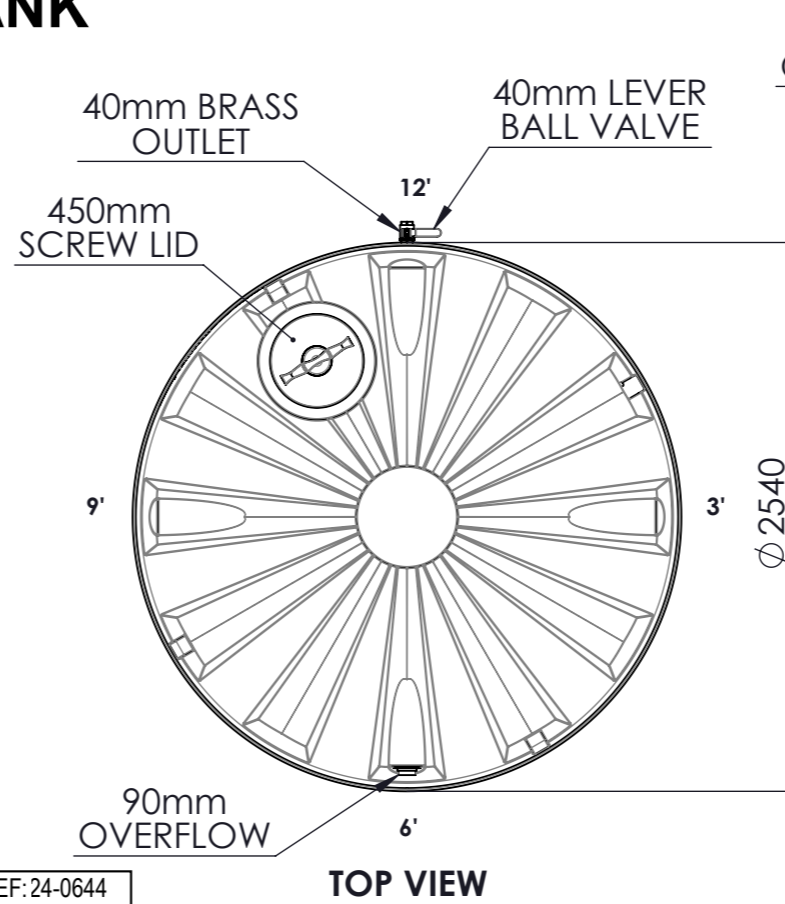
## STANDARDS:

ALL TANKS BY COERCO ARE MANUFACTURED IN GUIDANCE WITH AUST STANDARD AS:4766 AND ARE STRUCTURALLY ENGINEERED TO CONFORM TO CYCLONIC AREAS AND STRESS ANALYSIS TESTING REQUIREMENTS.

## DIMENSIONS:

DIMENSIONS MAY VARY SLIGHTLY DUE TO THE SHRINKAGE NATURE OF POLYETHYLENE.

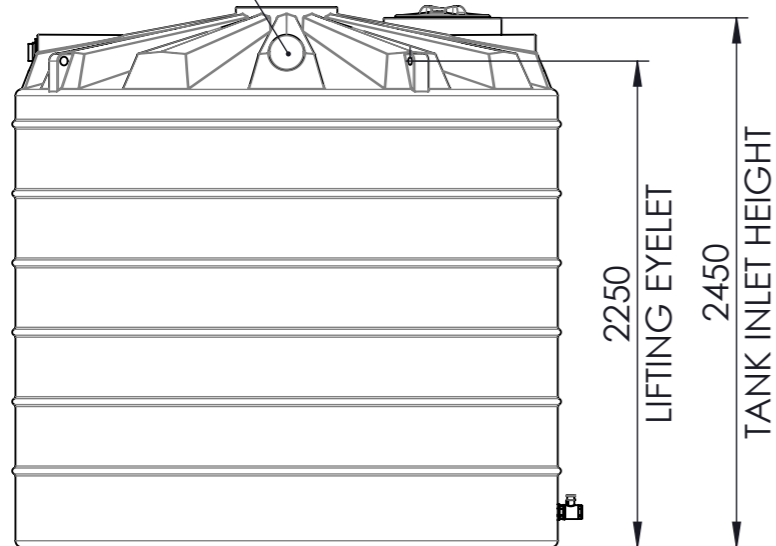
**NOTE:** THIS DRAWING DETAILS COERCO'S **STANDARD** WATER TANK FITOUT.



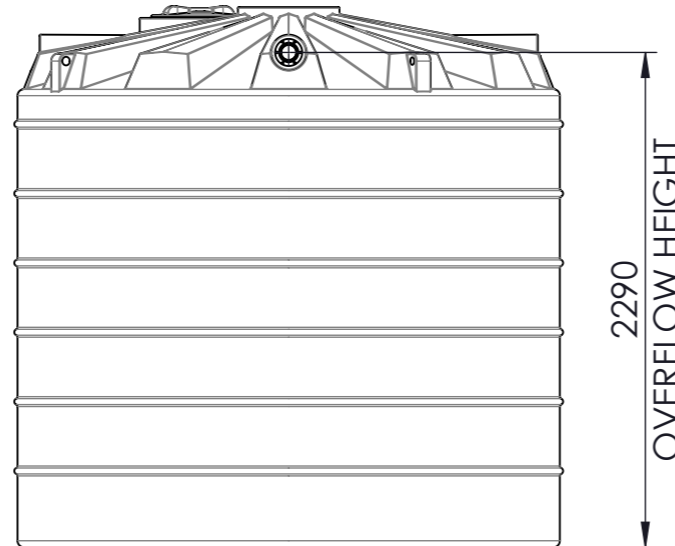
	<b>CERTIFICATION</b>	RSA REF: 24-0644
	<small>STRUCTURE DESIGN WIND LOADING TO AS/NZS 1170.2 - 2021 ANNUAL PROBABILITY OF EXCEEDANCE - 1:500 - IMPORTANCE LEVEL 2 WIND REGION: D (CYCLONIC) - TERRAIN CATEGORY 1 WIND SPEEDS: REGIONAL - 84m/s SERVICEABILITY - 53m/s</small>	
	Signed: <i>[Signature]</i> Date: 29/11/2024 Robin Salter BEng(Hons) FIEAust CPEng NER RPEQ RSA Pty Ltd   Unit 6, 9 Playle Street, Myaree WA 6154 T: +61 08 9317 3331   E: info@rsaeng.com.au	
	FLAT AREA FOR INLET/OVERFLOW	

FLAT AREA FOR INLET/OVERFLOW

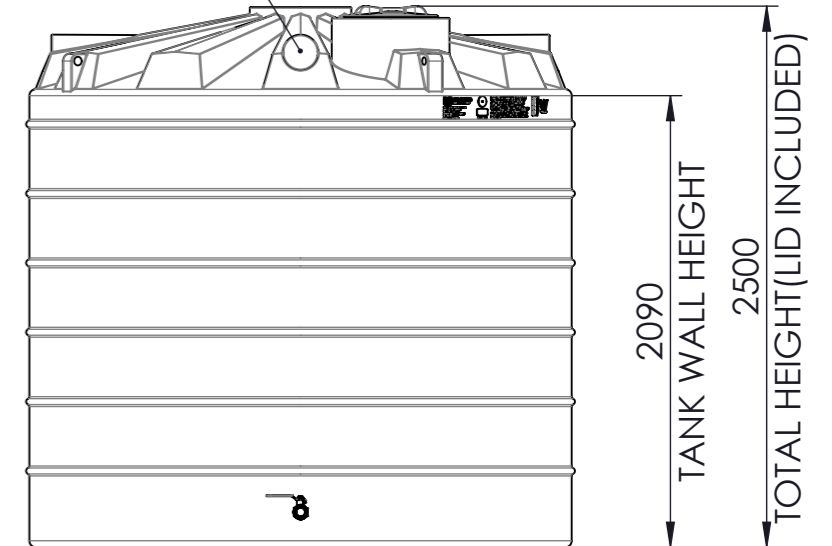
FLAT AREA FOR INLET/OVERFLOW



3 O'CLOCK VIEW



6 O'CLOCK VIEW



12 O'CLOCK VIEW

04	CHANGED TANK DIAMETER, HEIGHT	KT	RB	GW	01/11/24
03	UPDATED TO NEW TANK DESIGN	KT	RB	MJ	20/05/24
02	UPDATED DRAWING NUMBER	KD	RB	MJ	28/04/23
<b>REV</b>	<b>DESCRIPTION</b>	<b>DWN</b>	<b>CHK</b>	<b>APP</b>	<b>DATE</b>

**coerco**  
Engineered Project Solutions

Quality ISO 9001  
SASOLCORAL

MATERIAL	LOW DENSITY POLYETHYLENE	DWN	KT
COLOUR/ FINISH	POLISHED	CHK	RB
S.G.	-	APP	MJ
		SCALE: NTS	

STOCK CODE	JRR10500
PRODUCT	10,500LTR FLAT WALLED POLY WATER TANK
SHEET 1 OF 1	

PROPRIETARY. Neither this document nor its contents may be used or reproduced in any manner without the written authorisation of COERCO. Unless otherwise noted all dimensions are in millimetres.

**A3**

COERCO  
23 Harris Rd, Malaga Western Australia 6090

Phone: 1800 646 277  
E-mail: info@coerco.com.au

DWG NO.	JRR10500_GA_001	REV.	04
---------	-----------------	------	----