

32,000LTR CORRUGATED INDUSTRIAL TANK

INSTALLATION:

TANKS ARE TO BE INSTALLED ON A WELL COMPACTED, LEVELLED EARTH PAD, FREE FROM SHARP OR LOCALISED HARD STONES/OBJECTS THAT COULD DAMAGE THE TANK BASE. THE ROOF OF THIS TANK IS INTENDED ONLY TO COVER AND IS NOT TO BE TRAFFICABLE ROOF.

MATERIAL:

LLDPE MATERIAL DESIGNED SPECIFICALLY FOR ROTATIONAL MOULDING APPLICATIONS DELIVERING A HIGH ESCR, CHEMICAL RESISTANCE, STIFFNESS AND TOUGHNESS WHICH IS UV STABILISED TO PROVIDE PROLONGED OUTDOOR PROTECTION IN HARSH AUSTRALIAN CONDITIONS.

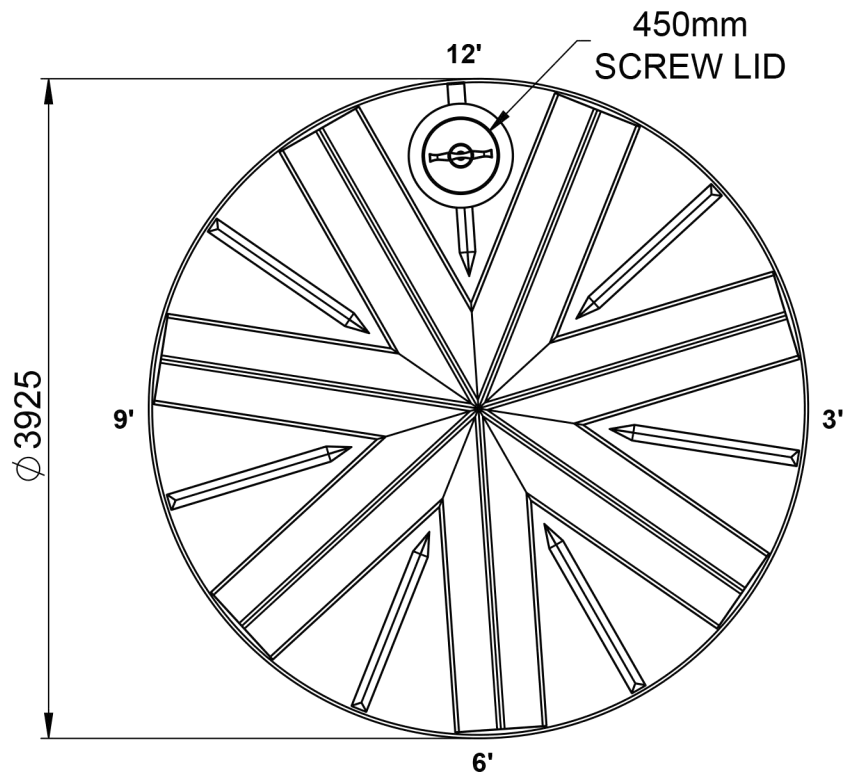
STANDARDS:

ALL TANKS BY COERCO ARE MANUFACTURED IN GUIDANCE WITH AUST STANDARD AS4766 AND ARE STRUCTURALLY ENGINEERED TO CONFORM TO CYCLONIC AREAS AND STRESS ANALYSIS TESTING REQUIREMENTS.

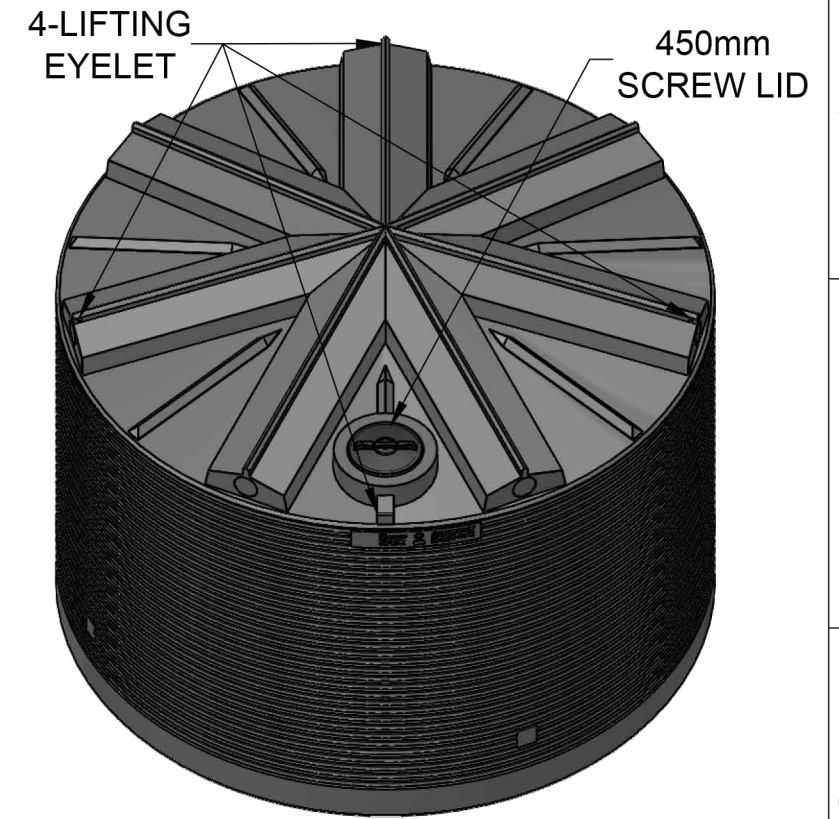
DIMENSIONS:

DIMENSIONS MAY VARY SLIGHTLY DUE TO THE SHRINKAGE NATURE OF POLYETHYLENE.

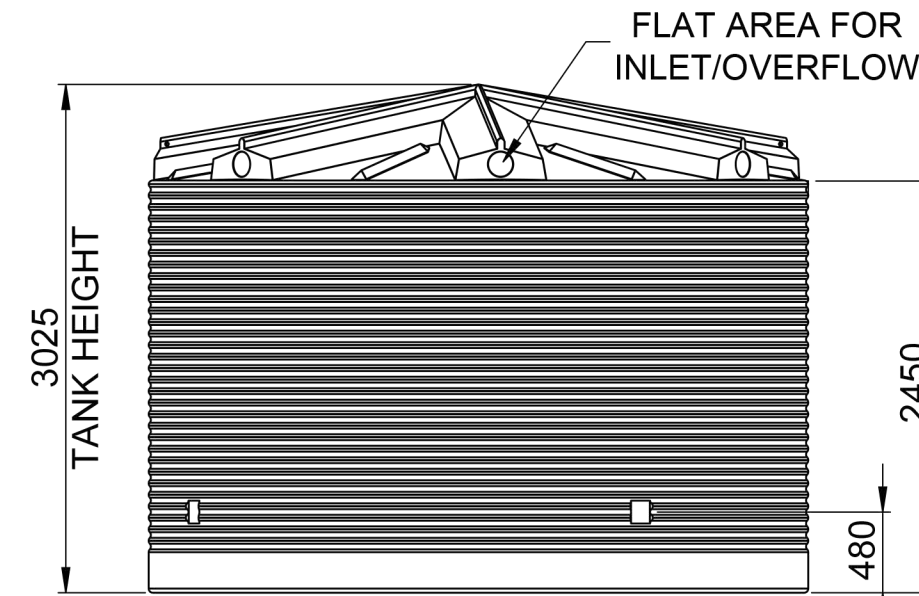
NOTE: THIS DRAWING DETAILS COERCO'S **STANDARD** INDUSTRIAL TANK. ADDITIONAL FITTINGS & ACCESSORIES AVAILABLE. TYPE & LOCATION/S TO BE SPECIFIED AT TIME OF ORDER. TANK AVAILABLE TO ACCOMODATE LIQUIDS OF SPECIFIC GRAVITY UP TO 2.



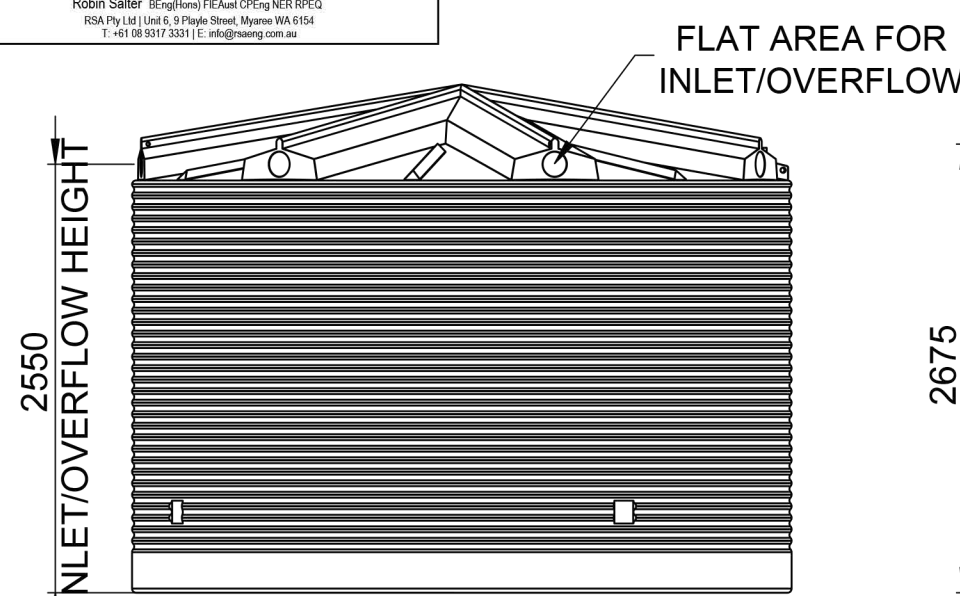
TOP VIEW



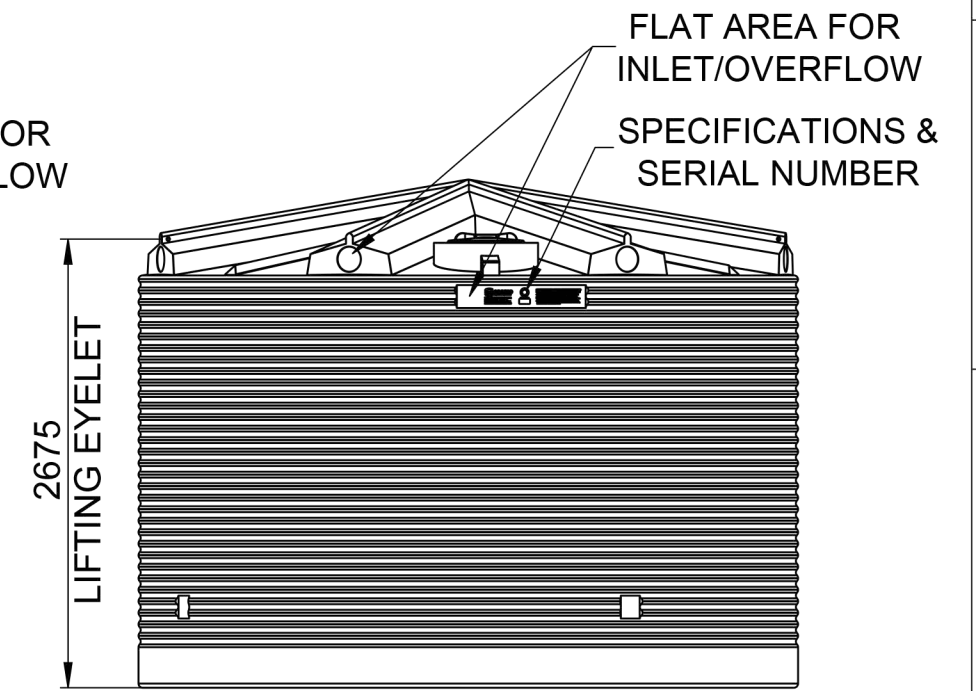
PERSPECTIVE VIEW



6 O'CLOCK VIEW



3 O'CLOCK VIEW



12 O'CLOCK VIEW



DATE	28/06/2019	MATERIAL	LOW DENSITY POLYETHYLENE
PRODUCT	32,000LTR CORRUGATED INDUSTRIAL TANK	SURFACE FINISH	POLISHED
PRODUCT CODE	IT32000	WALL THICKNESS	
DRAWING No	C-IT32000-001	SCALE	NOT TO SCALE

REV	BY	DATE	DESCRIPTION
0	GT	28/06/2019	ORIGINAL CAD DRAWING ISSUED

SHEET 1 OF 1
CHKD
APVD
SHEET SIZE A3

© THIS DRAWING IS THE COPYRIGHT OF COERCO. IT CANNOT BE COPIED IN PART OR FULL WITHOUT THE WRITTEN PERMISSION OF COERCO