

**CERTIFICATION** RSA REF: 19-0326

The structure shown on this drawing has been approved by a Chartered Professional Engineer in accordance with the structural requirements of the Building Code of Australia.

Signed: *Robin Sailer* Date: 9/07/2019

Robin Sailer BEng(Hons) FIEAust CPEng NER RPEQ  
 RSA Pty Ltd | Unit 6, 9 Playle Street, Myaroo WA 6154  
 T: +61 08 9317 3331 | E: info@rsaeng.com.au



# 25,000LTR FLAT WALLED INDUSTRIAL TANK

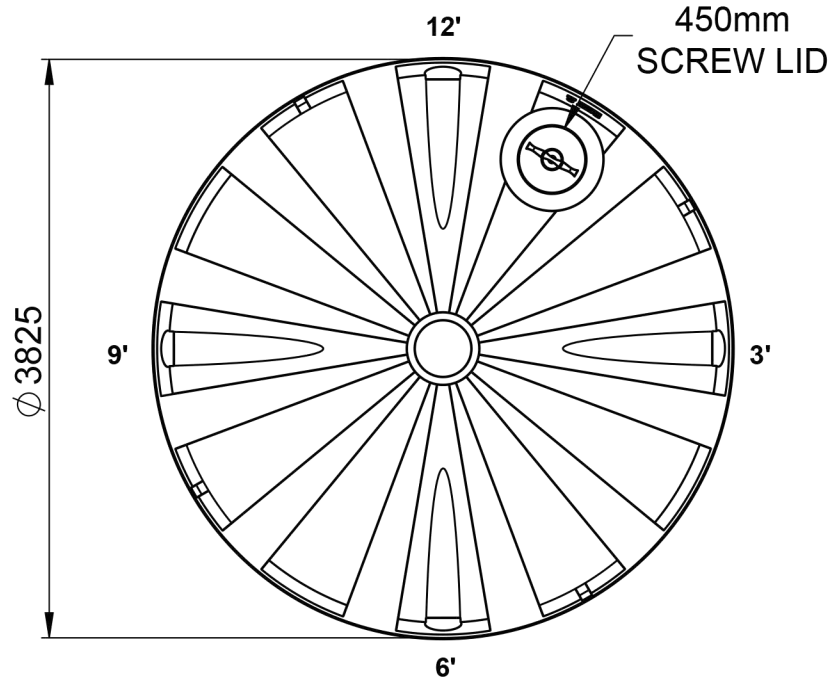
**INSTALLATION:**  
 TANKS ARE TO BE INSTALLED ON A WELL COMPACTED, LEVELLED EARTH PAD, FREE FROM SHARP OR LOCALISED HARD STONES/OBJECTS THAT COULD DAMAGE THE TANK BASE. THE ROOF OF THIS TANK IS INTENDED ONLY TO COVER AND IS NOT TO BE TRAFFICABLE ROOF.

**MATERIAL:**  
 LLDPE MATERIAL DESIGNED SPECIFICALLY FOR ROTATIONAL MOULDING APPLICATIONS DELIVERING A HIGH ESCR, CHEMICAL RESISTANCE, STIFFNESS AND TOUGHNESS WHICH IS UV STABILISED TO PROVIDE PROLONGED OUTDOOR PROTECTION IN HARSH AUSTRALIAN CONDITIONS.

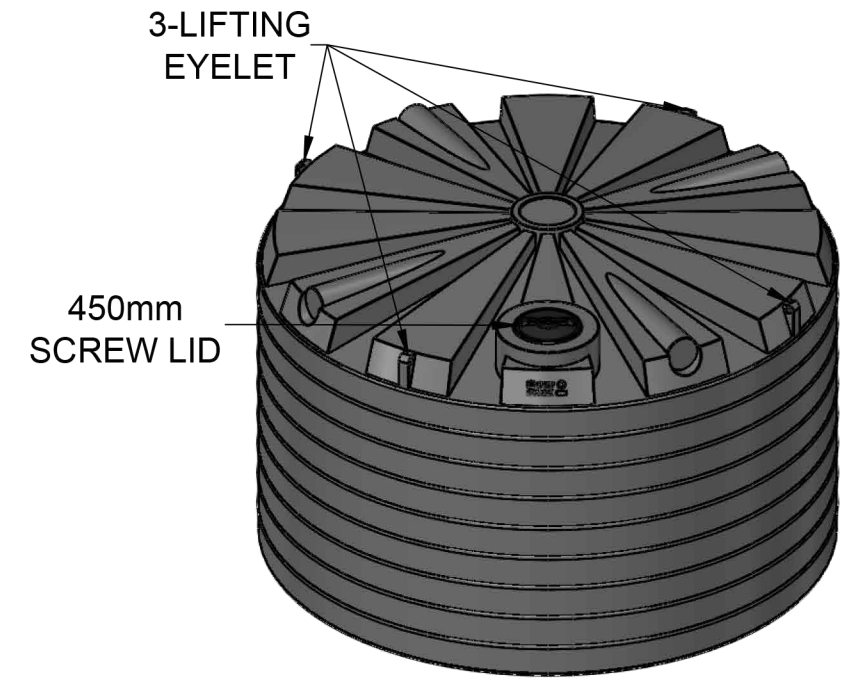
**STANDARDS:**  
 ALL TANKS BY COERCO ARE MANUFACTURED IN GUIDANCE WITH AUST STANDARD AS4766 AND ARE STRUCTURALLY ENGINEERED TO CONFORM TO CYCLONIC AREAS AND STRESS ANALYSIS TESTING REQUIREMENTS.

**DIMENSIONS:**  
 DIMENSIONS MAY VARY SLIGHTLY DUE TO THE SHRINKAGE NATURE OF POLYETHYLENE.

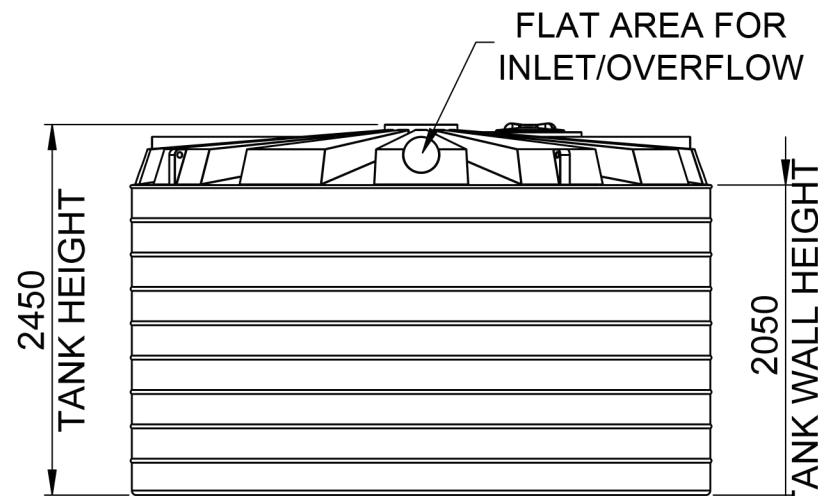
**NOTE:** THIS DRAWING DETAILS COERCO'S **STANDARD** INDUSTRIAL TANK. ADDITIONAL FITTINGS & ACCESSORIES AVAILABLE. TYPE & LOCATION/S TO BE SPECIFIED AT TIME OF ORDER. TANK AVAILABLE TO ACCOMODATE LIQUIDS OF SPECIFIC GRAVITY UP TO 2.



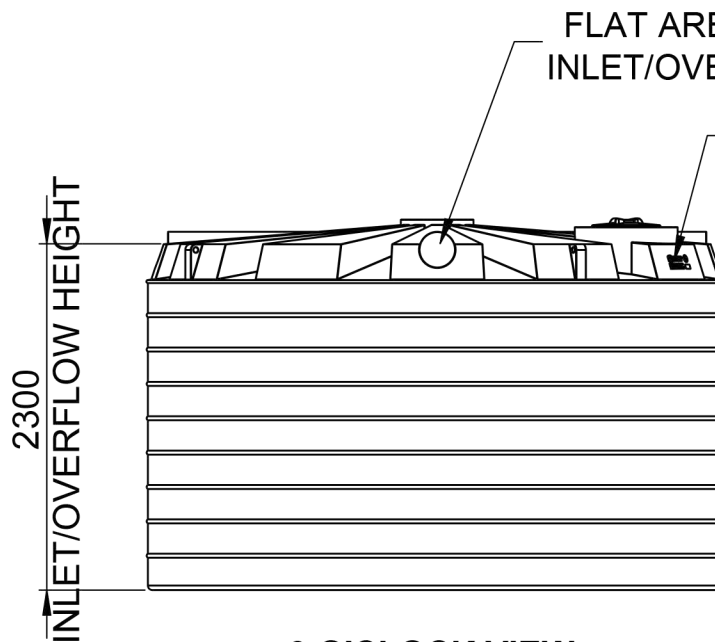
**TOP VIEW**



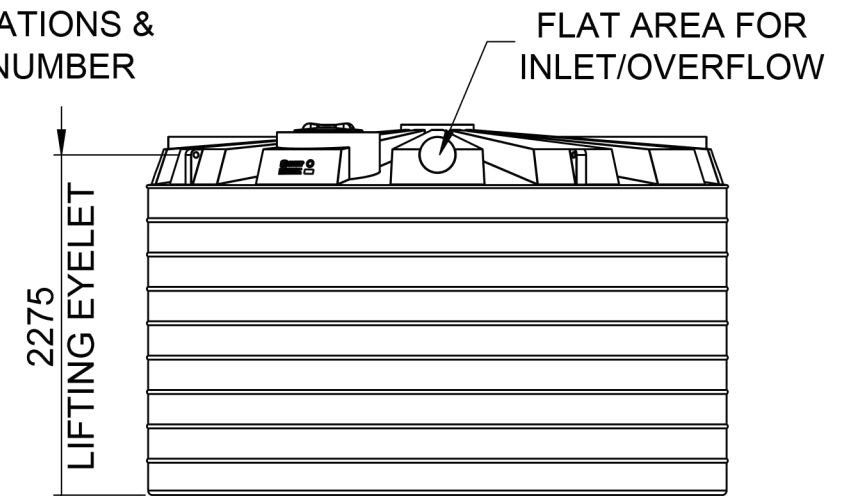
**PERSPECTIVE VIEW**



**6 O'CLOCK VIEW**



**3 O'CLOCK VIEW**



**12 O'CLOCK VIEW**



DATE	01/07/2019	MATERIAL	LOW DENSITY POLYETHYLENE
PRODUCT	25,000LTR FLAT WALLED INDUSTRIAL TANK	SURFACE FINISH	POLISHED
PRODUCT CODE	IT25000	WALL THICKNESS	
DRAWING No	C-IT25000-001	SCALE	NOT TO SCALE

REV	BY	DATE	DESCRIPTION
0	GT	01/07/2019	ORIGINAL CAD DRAWING ISSUED

SHEET 1 OF 1
CHKD
APVD
SHEET SIZE <b>A3</b>

© THIS DRAWING IS THE COPYRIGHT OF COERCO. IT CANNOT BE COPIED IN PART OR FULL WITHOUT THE WRITTEN PERMISSION OF COERCO