

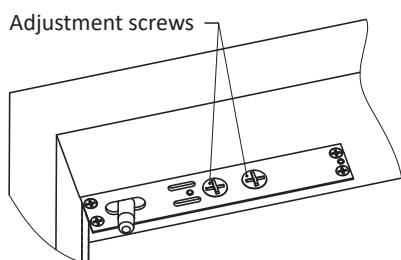
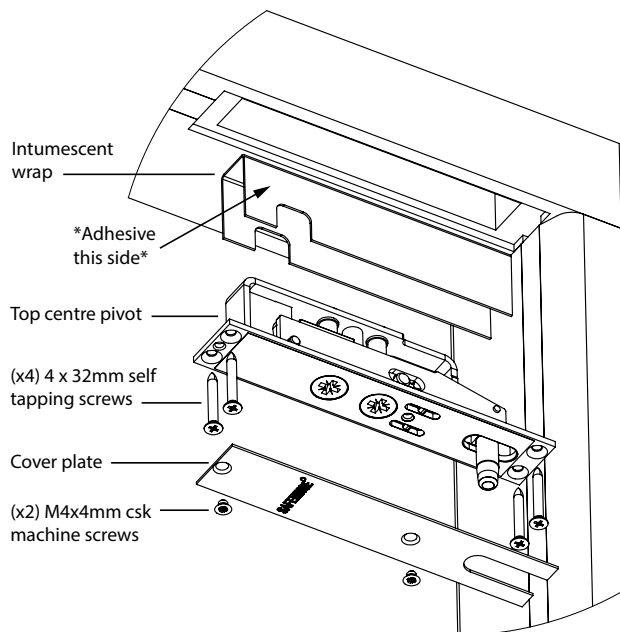
# SII027 Alumax installation guide

## Fitting Components

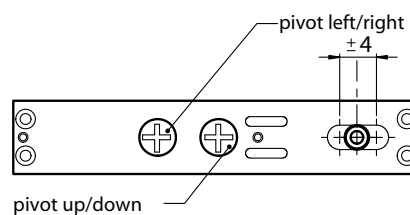
### 1. Fitting the Top Centre Pivot

i) Ensure the intumescent wrap is adhered to the frame, NOT to the top centre pivot.

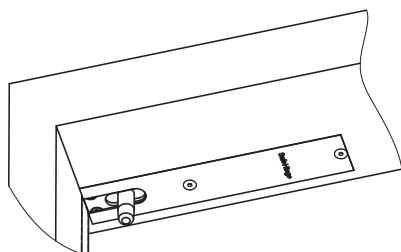
Adhering to the pivot may restrict adjustment



ii) Use supplied 4No. 4 mm x 32 mm screws to fit the top centre to the frame.



TIP - Final fix cover plate in case access to adjustment screws req'd.

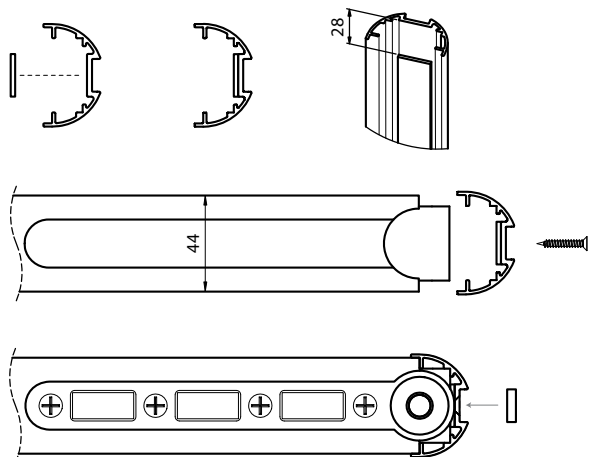


iii) Use supplied 2No. M4 x 4 mm csk machine screws to fit the cover plate.

### 2. Fitting the Aluminium Edge Profiles

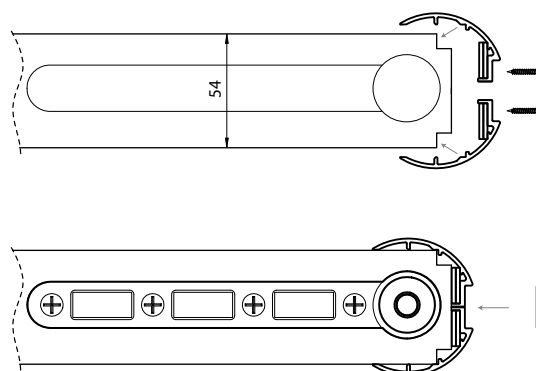
#### ALU30

Intumescent supplied loose. Fit for FD30 rating.



#### ALU60

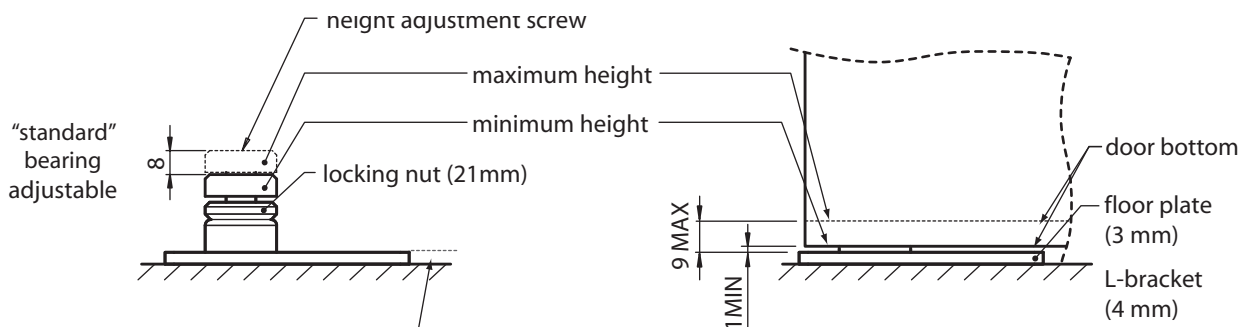
Intumescent behind profile comes pre-fitted as standard



# Undercuts & Floor Pivot Adjustment

The flooring configurations shown in the following section should be regarded as illustrative only. The exact design and configuration of flooring is not the responsibility of Safehinge Ltd.

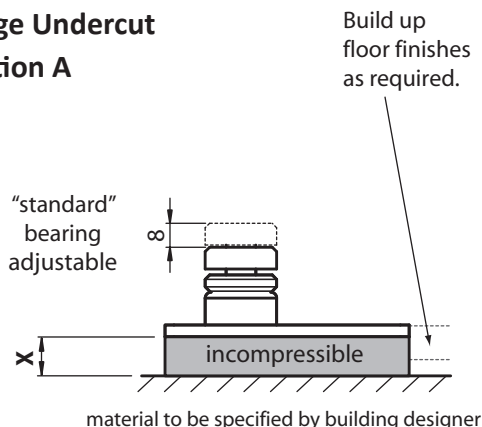
## Standard Undercut



The "standard" bearing is supplied with all regular Safehinge kits.

85210035 RTS85 Pinch Free Arm

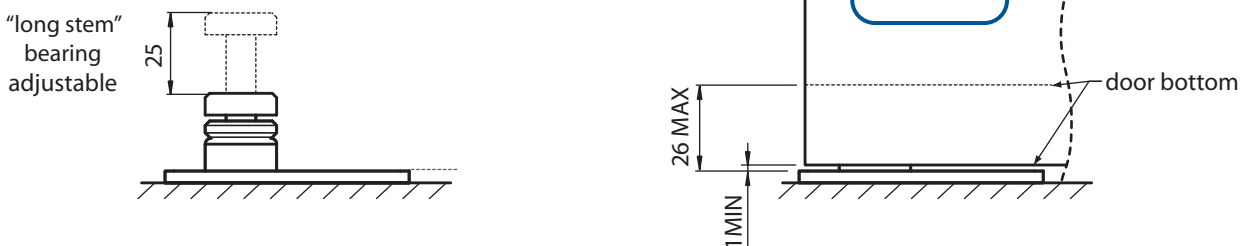
## Large Undercut Option A



The "standard" bearing is supplied with all regular Safehinge kits.

**TIP - Save time**  
- use a loose strap on bearing to check undercut of door instead of taking door on and off!

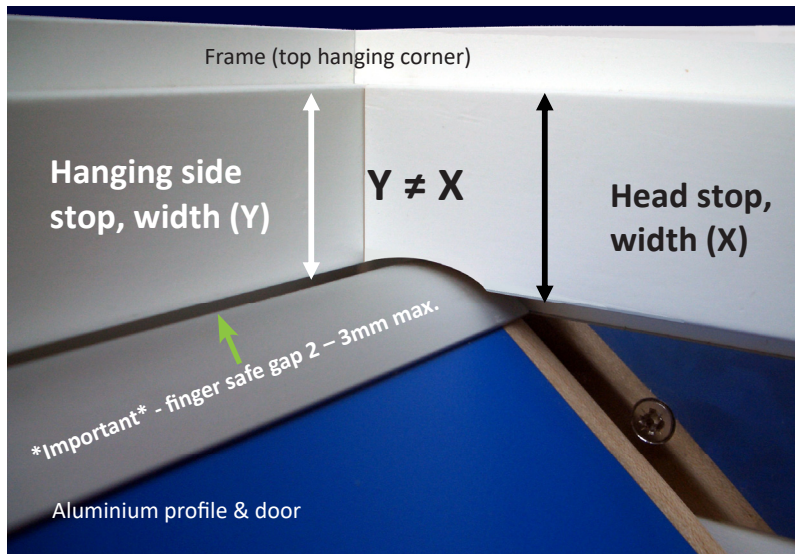
## Large Undercut Option B



**TIP**  
To order your kits with long stem bearings see page 37

## Sizing Door Stops to Perfection

The hanging side stop is not always the same width as the head stop because of the important finger-safe 2-3mm gap between aluminium profile and stop.



### Helpful gap check!

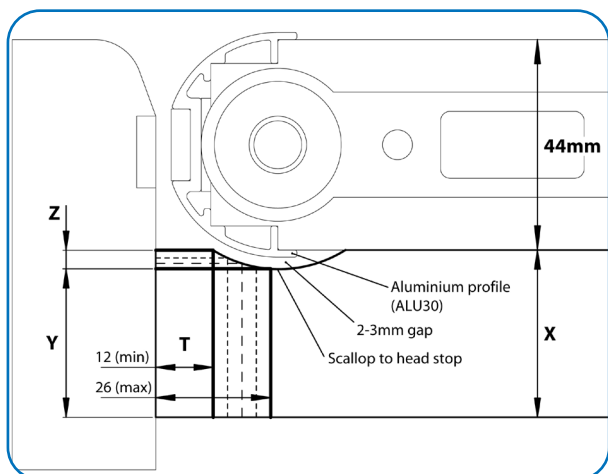


50 pence coin DOES fit



1 pound coin DOES NOT fit

### ALU30 (44 mm) Hanging Side Stop



$$Y = X - Z$$

T (mm) stop thickness	Z (mm)
12	0
15	2
18	3
21	4
26 (max for hanging stop)	4

**Example:** If head stop is 35x15 mm, then

X = 35 mm T = 15 mm.

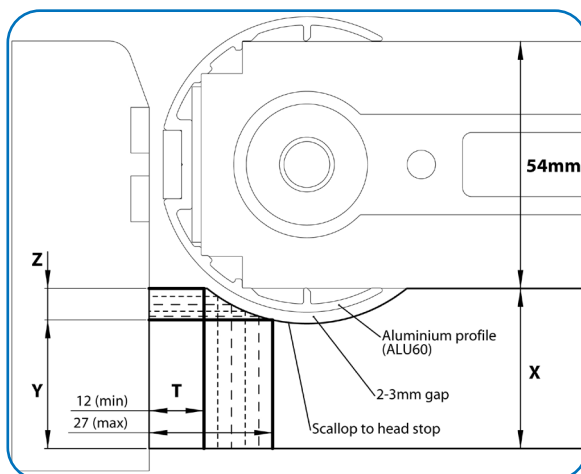
Z = 2 mm (taken from table)

$$Y = X - Z$$

$$Y = 35 - 2 = 33 \text{ mm}$$

**TIP**  
Use pinned door stops. These can be moved if req'd.

### ALU60 (54 mm) Hanging Side Stop



$$Y = X - Z$$

T (mm) stop thickness	Z (mm)
12	0
15	2
18	3
21	5
24	6
27 (max for hanging stop)	7

**Example:** If head stop is 40x18 mm, then

X = 40 mm T = 18 mm.

Z = 3 mm (taken from table)

$$Y = X - Z$$

$$Y = 40 - 3 = 37 \text{ mm}$$

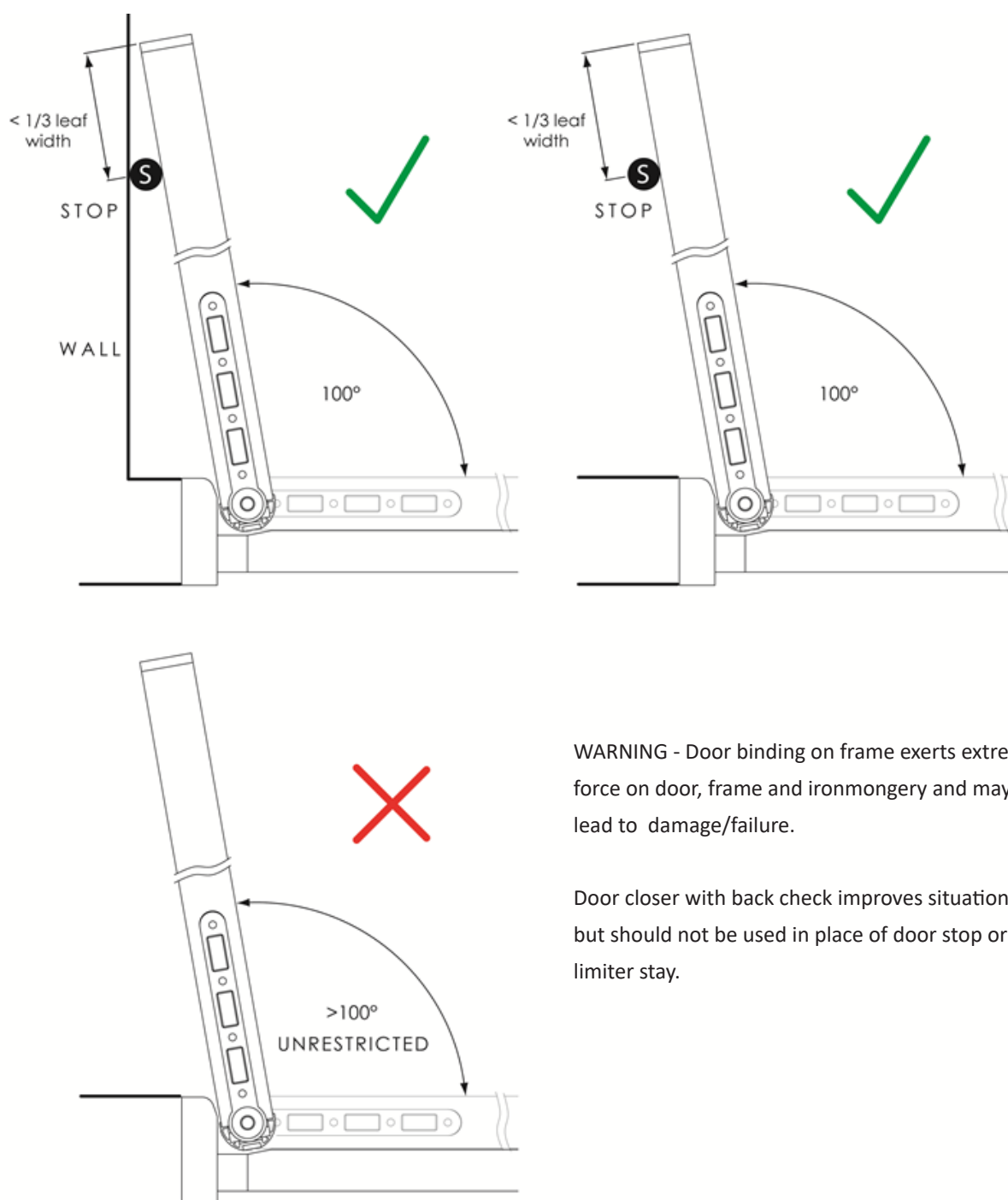
## Opening Angle Limit

All pivot doors - whether Safehinge ALUmax or not - have a maximum opening angle beyond which they will “bind” on the door frame. It is strongly recommend that measures are taken to prevent binding from occurring.

NOTE: A cushioned limit stay is not an overload protection device and in many applications, will not be a suitable substitute for a door stop.

**Recommended stop angle: 100°**

(Maximum opening angle: 110°)



**WARNING** - Door binding on frame exerts extreme force on door, frame and ironmongery and may lead to damage/failure.

Door closer with back check improves situation, but should not be used in place of door stop or limiter stay.

## Installation Instructions

### Step 1 - Install Frame

Install the frame assembly into the structural opening. For fire, smoke and acoustic doors, pack the gap between the door assembly and the wall in accordance with BS8214:2008 and ASDMA Best Practice Guide to Timber Fire Doors. Take particular care to ensure hanging jamb is set straight as this will influence the finger-safe gap between the door and the frame.

### Step 2 - Positioning of Bottom Pivot

Position the bottom pivot (floor plate or L-bracket) as directed on page 23 (ALU30) or page 30 (ALU60).

Use the supplied screws and plugs to fix the bottom pivot in position. Always fix the L-bracket to both floor and frame.

**IMPORTANT:** Care should be taken to position correctly as this will influence the finger-safe gap between the door and the frame.

Recommended to rebate the bottom pivot into the floor to eliminate a minor trip hazard.

### Step 3 – Height Adjustment of Bottom Pivot

Determine the desired gap at the threshold and then set the height of the pivot bearing accordingly.

**IMPORTANT:** Ensure the thread of pivot bearing is securely engaged with the threaded boss bottom pivot. After height adjustment has been made, securely tighten locking nut against thread. This will require a flat head screwdriver and spanner.

### Step 4 – Prepare the Top Centre Pivot

Remove and store the top centre cover plate (if fitted). Check that the pivot pin is fully retracted and central **(not positioned to the Left or Right extremes)**.

**IMPORTANT:** Do not operate the adjustment screws with power tools.

### Step 5 – Hanging the Door

**IMPORTANT:** It is Recommended to follow Health and Safety Executive guidelines when lifting ([www.hse.gov.uk](http://www.hse.gov.uk))

With the door in a 90° open position and tilted slightly, lift the door and carefully locate the bottom strap cup onto the pivot bearing. When this has been located, raise the door to align the retracted top centre pivot pin with the top strap bearing (**NOTE - it can help to mark the pivot centre of strap on the door edge to help align when hanging.**). Extend the pivot pin to locate it in the bearing.

**IMPORTANT:** Ensure the pin is fully extended and securely located in the top strap bearing (this requires approximately eight full turns of the “retract/extend” adjustment screw). Additionally, on the top centre adjustment ruler, look for the markers - these should be visible when the pin is fully down.

If required, a half turn in the “retract” direction (after fully extending) can ease the “hanging edge gap” adjustment screw.

### Step 6 – Check Threshold Gap

Check the gap at the threshold hanging side is as required. If height adjustment is necessary, remove the door, adjust the floor plate and then re-hang the door in accordance with Steps 3 – 5.

### Step 7 – Set the Finger-Safe Gap

The finger safe gap (hanging edge) should be 2-3 mm. Adjust the “pivot left/right” adjustment screw on top centre until this dimension is achieved at the top of the door. Check the gap is consistent the full height of the door (test as shown on page 3).

### Step 8 – Check Swing

Check the door is swinging correctly. Check that gap sizes around the perimeter are correct and that there is no excessive rubbing on the hanging side. Make necessary adjustments. Fix the cover plate in position over the top centre pivot when complete.