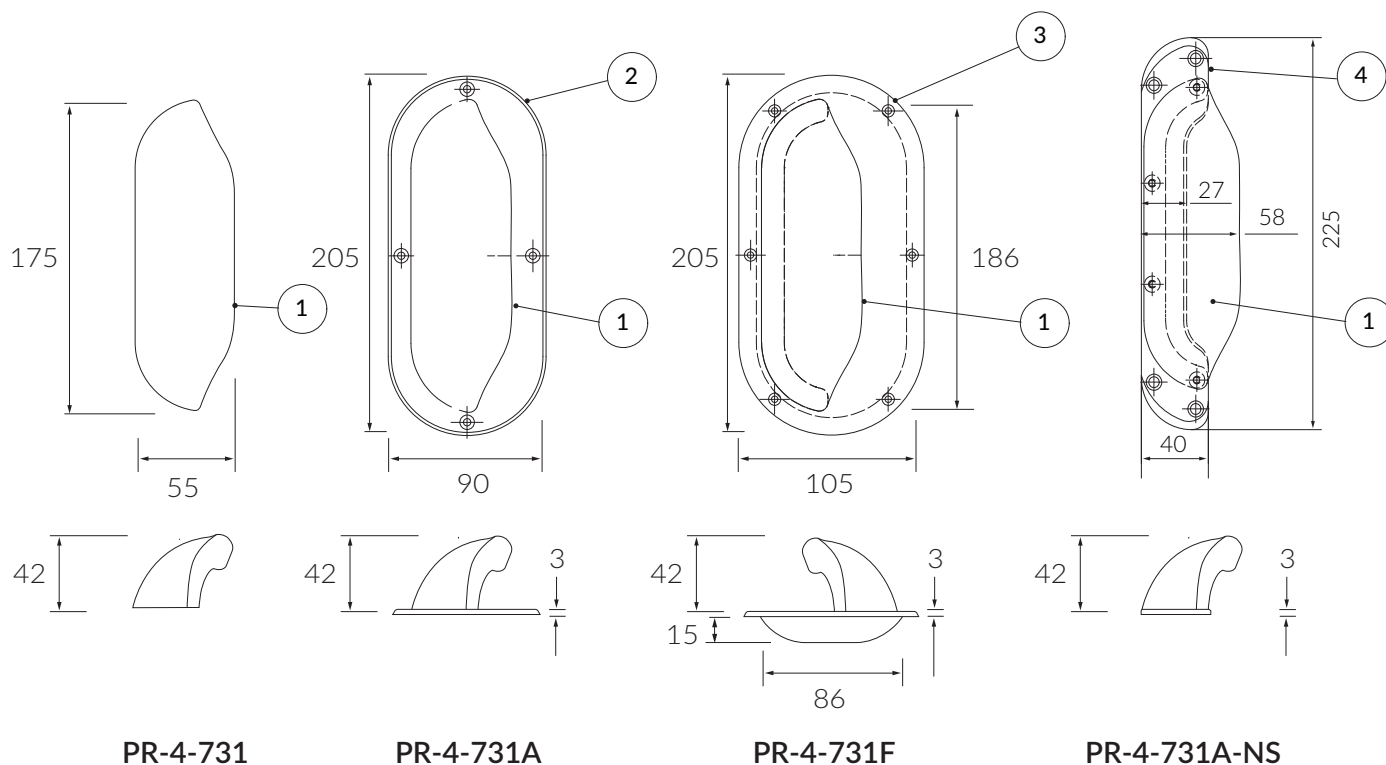


PR-4-731 Grab Handles



Material

Handle: Die-cast Mazak 5 handle. Electro-plated SSS Finish.
Flat Backplate: 3mm Chamfered Mild Steel. Electro-plated SSS Finish.
Recessed Dish: Die-cast Mazak 5 handle. Electro-plated SSS Finish.
Note: Standard SSS finish plates are suitable for internal use only.
 For external use please request Service Condition 5 when ordering.
 (This does not incur additional cost, only an extended lead time)

Fixings

6 lobe pin-torx anti-tamper stainless steel security screws.

Cleaning

Proprietary baby oil and soft cloth.

Standards

| ITEM | PART NUMBER | PRIMERA CODE | DHF T001: 2013 |
|------|-------------|--------------|----------------|
| 1 | B310105 | PR-4-731-SSS | PASSED A4 |
| 2 | B411402 | PR-5-B411402 | PASSED A4 |
| 3 | B411102 | PR-5-B411401 | PASSED A4 |
| 4 | B411108 | PR-5-B411408 | PASSED A4 |

Note: Items 1 & 2 when together becomes PR-4-731A

Note: Items 1 & 3 when together becomes PR-4-731F

Note: Items 1 & 4 when together becomes PR-4-731A - NS

Important Note: Primera products are protected by Intellectual Property Rights including UK and Community Unregistered Design Rights, UK and Community Registered Designs and UK Patents and Patent Applications. For further details please contact Primera Ltd.