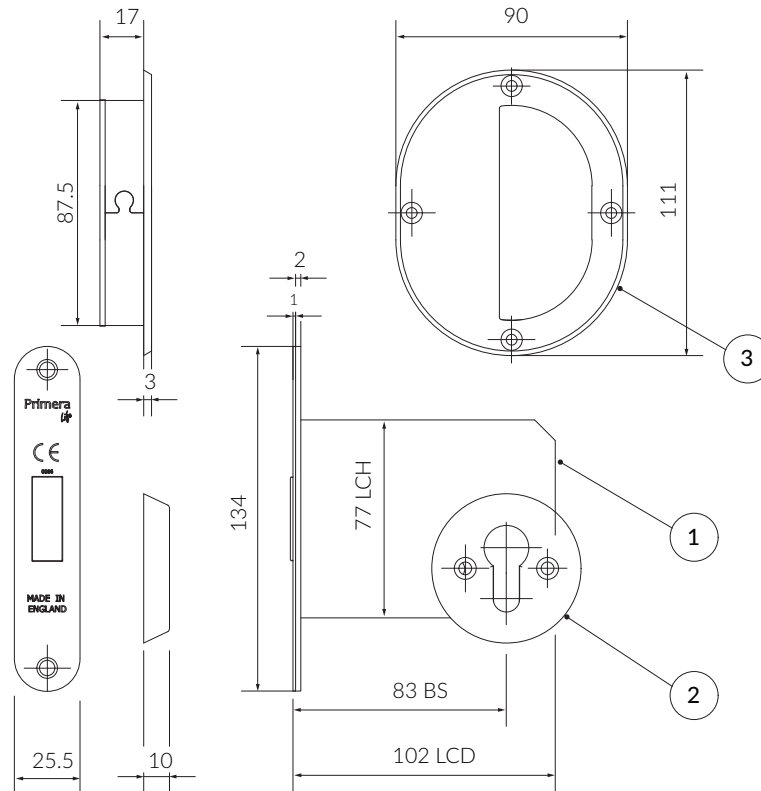


### Anti-Ligature Service Riser Lockset

Primary Override  
(Excludes Cylinder)



LCD = Lockcase Depth  
LCH = Lockcase Height  
BS = Backset

#### PARTS LIST

ITEM	QTY	PART NUMBER	PRIMERA CODE
1	1	B200210	PR-6210DL-101
2	1	B310201	PR-4-58E
3	1	B310121	PR-4-726

Important Note: Primera products are protected by Intellectual Property Rights including UK and Community Unregistered Design Rights, UK and Community Registered Designs and UK Patents and Patent Applications.  
For further details please contact Primera Ltd.

### Anti-Ligature Service Riser Lockset

Primary Override  
(Excludes Cylinder)

- Material** | **Handle & Turn/Pull Dish:** Die-cast Mazak 5 handle. Electro-plated SSS finish.  
**Flat Backplate:** 3mm Chamfered mild steel. Electro-plated SSS finish.  
**Roller Bolt Deadlock:** Predominantly manufactured from steel.
- Fixings** | 6 lobe pin-torx anti-tamper stainless steel security screws.
- Maintenance** | **Lubrication:** RS High Performance Dry Lubricant Primera Code B700241. (Not the Cylinder).  
**Cleaning:** Proprietary baby oil and soft cloth.

**Standards** |

ITEM	PART NUMBER	PRIMERA CODE	DHF T001: 2013
2	B310201	PR-4-58E	
3	B310121	PR-4-726	

**Certifications** |

CE: Lockcase:	BS/EN 12209:2013	(British Standards Institute)
Fire Testing:	BS/EN 1634-1	(Exova Warrington Fire)

Important Note: Primera products are protected by Intellectual Property Rights including UK and Community Unregistered Design Rights, UK and Community Registered Designs and UK Patents and Patent Applications.  
For further details please contact Primera Ltd.