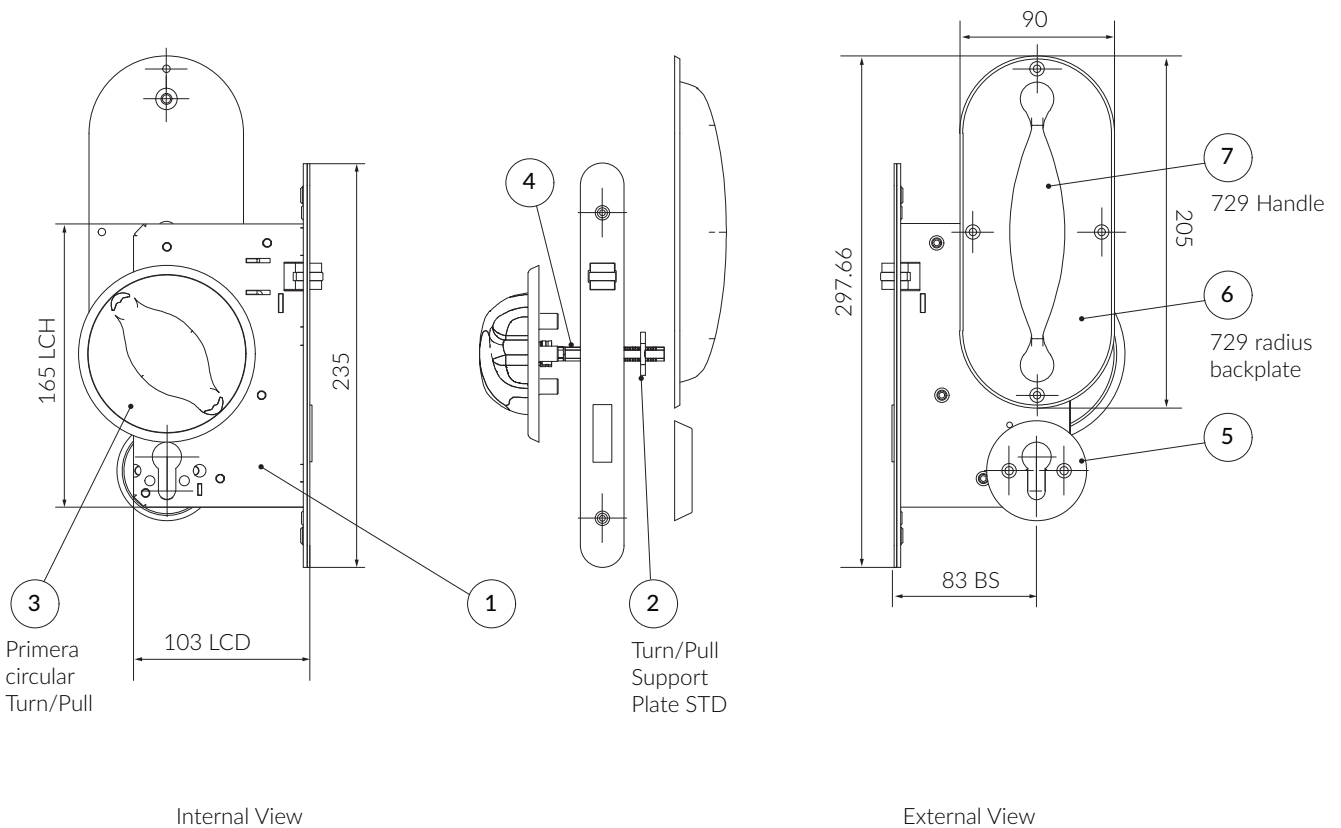


Anti-Ligature Bedroom Lockset

Primary Override
(Excludes Cylinder)



LCD = Lockcase Depth
LCH = Lockcase Height
BS = Backset

PARTS LIST

ITEM	QTY	PART NUMBER	PRIMERA CODE	ITEM	QTY	PART NUMBER	PRIMERA CODE
1	1	B200101	PR-6101RBD	5	1	B310201	PR-4-58E
2	1	B500101	PR-5-B500101	6	1	B411102	PR-5-B411202
3	1	B310102	PR-4-728TP	7	1	B310103	PR-4-729
4	1	B200704	PR-6704-SPIN-UNI				

Note: Items 6 & 7 when together becomes PR-4-729A

Important Note: Primera products are protected by Intellectual Property Rights including UK and Community Unregistered Design Rights, UK and Community Registered Designs and UK Patents and Patent Applications.
For further details please contact Primera Ltd.

Anti-Ligature Bedroom Lockset

Primary Override
(Excludes Cylinder)

Material

Handle & Turn/Pull Dish: Die-cast Mazak 5 handle. Electro-plated SSS finish.
Flat Backplate: 3mm Chamfered mild steel. Electro-plated SSS finish.
Roller Bolt Deadlock: Predominantly manufactured from steel.

Fixings

6 lobe pin-torx anti-tamper stainless steel security screws.

Maintenance

Lubrication: RS High Performance Dry Lubricant Primera Code B700241. (Not the Cylinder).
Cleaning: Proprietary baby oil and soft cloth.

Standards

ITEM	PART NUMBER	PRIMERA CODE	DHF T001: 2013
3	B310102	PR-4-728TP	PASSED A4
5	B310201	PR-4-58E	PASSED A4
6	B500101	PR-5-B500101	PASSED A4
7	B310103	PR-4-729	PASSED A4

Certifications

CE: Lockcase:	BS/EN 12209:2013	(British Standards Institute)
Fire Testing:	BS/EN 1634-1	(Exova Warrington Fire)

Important Note: Primera products are protected by Intellectual Property Rights including UK and Community Unregistered Design Rights, UK and Community Registered Designs and UK Patents and Patent Applications.
For further details please contact Primera Ltd.