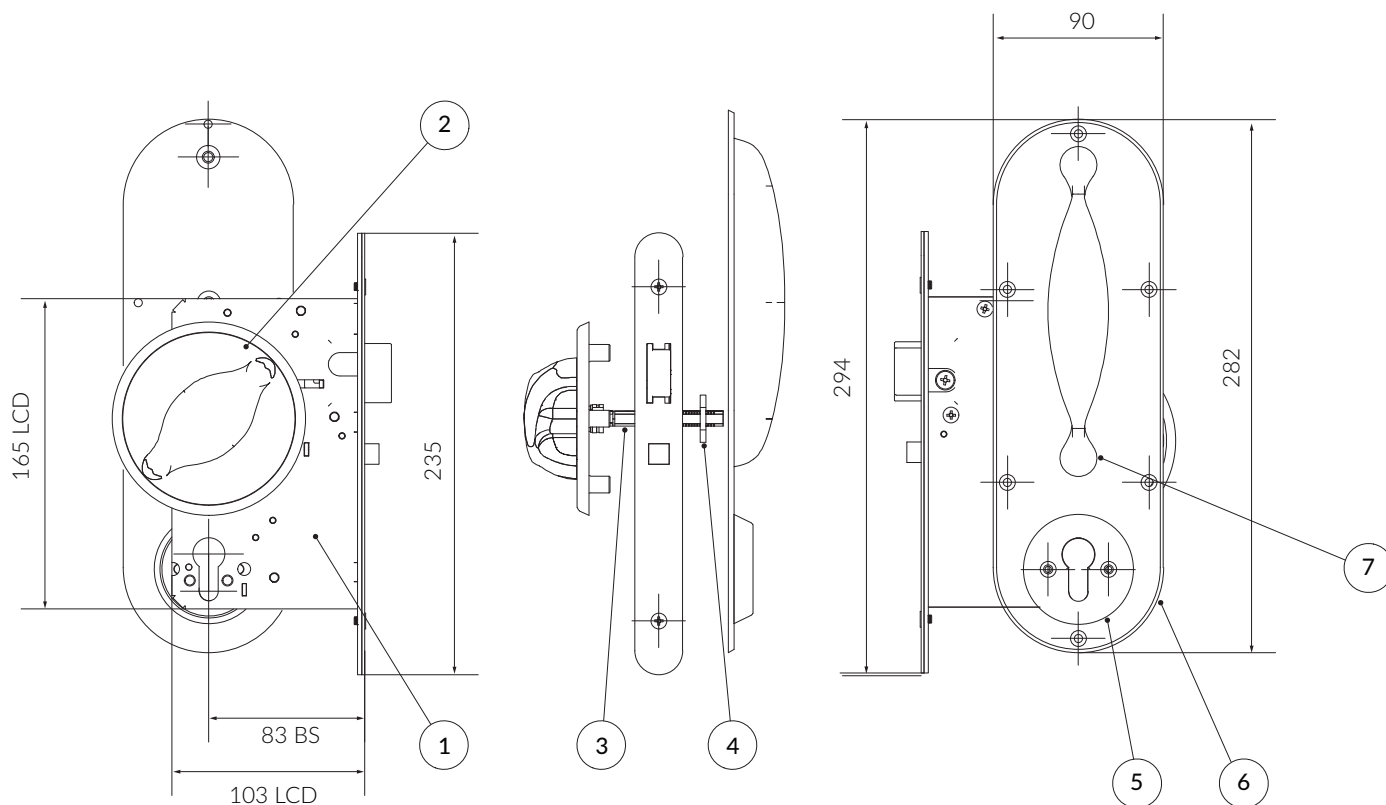


Anti-Ligature Auto Locking Nightlatch Lockset

Primary Override
(Excludes Cylinder)



Internal View

External View

LCD = Lockcase Depth
LCH = Lockcase Height
BS = Backset

PARTS LIST

ITEM	QTY	PART NUMBER	PRIMERA CODE	ITEM	QTY	PART NUMBER	PRIMERA CODE
1	1	B200138	PR-6104ALNL-NHB	5	1	B310201	PR-4-58E-SSS
2	1	B310102	PR-4-728TP-SSS	6	1	B411223	
3	1	B200704	PR-6704-SPIN-UNI	7	1	B310103	PR-4-729-SSS
4	1	B500101	PR-5-B500101				

Important Note: Primera products are protected by Intellectual Property Rights including UK and Community Unregistered Design Rights, UK and Community Registered Designs and UK Patents and Patent Applications.
For further details please contact Primera Ltd.

Anti-Ligature Auto Locking Nightlatch Lockset

Primary Override
(Excludes Cylinder)

- Material** | **Handle & Turn/Pull Dish:** Die-cast Mazak 5 handle. Electro-plated SSS finish.
Flat Backplate: 3mm Chamfered mild steel. Electro-plated SSS finish.
Nightlatch: Predominantly manufactured from steel.
- Fixings** | 6 lobe pin-torx anti-tamper stainless steel security screws.
- Maintenance** | **Lubrication:** RS High Performance Dry Lubricant Primera Code B700241. (Not the Cylinder).
Cleaning: Proprietary baby oil and soft cloth.

Standards |

ITEM	PART NUMBER	PRIMERA CODE	DHF T001: 2013
2	B310102	PR-4-728TP	PASSED A4
5	B310201	PR-4-58E	PASSED A4
6	B411223	PR-5-B411223	PASSED A4
7	B310103	PR-4-729	PASSED A4

Certifications |

CE: Lockcase:	BS/EN 12209:2013	(British Standards Institute)
Fire Testing:	BS/EN 1634-1	(Exova Warrington Fire)

Important Note: Primera products are protected by Intellectual Property Rights including UK and Community Unregistered Design Rights, UK and Community Registered Designs and UK Patents and Patent Applications.
For further details please contact Primera Ltd.