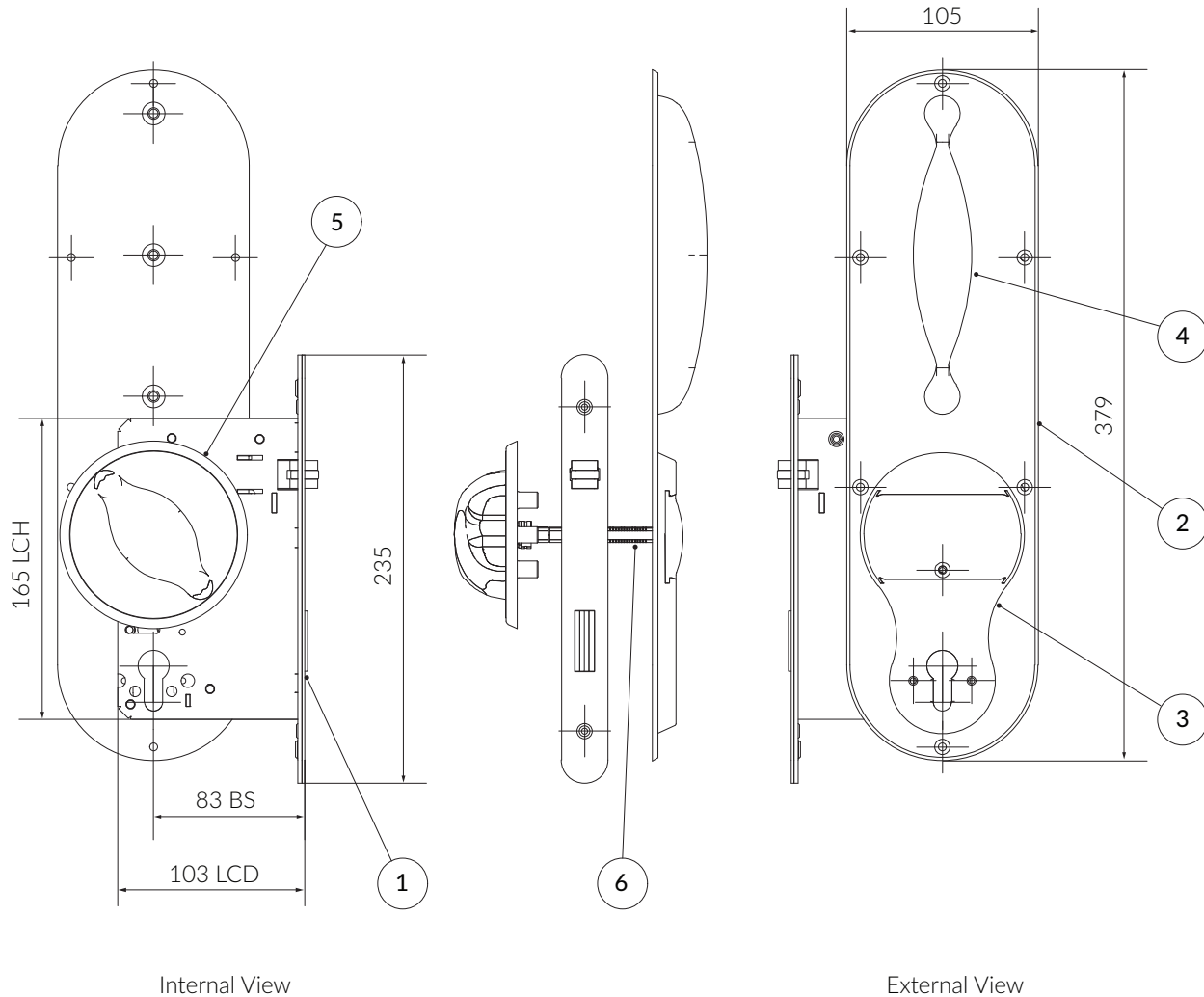


### Anti-Ligature Bedroom Lockset

Primary & Secondary Override  
(Excludes Cylinder)



LCD = Lockcase Depth  
LCH = Lockcase Height  
BS = Backset

#### PARTS LIST

ITEM	QTY	PART NUMBER	PRIMERA CODE	ITEM	QTY	PART NUMBER	PRIMERA CODE
1	1	B200130	PR-6130RBD	4	1	B310103	PR-4-729
2	1	B411283	PR-5-B411283	5	1	B310102	PR-4-728TP
3	1	B310341	PR-4-TTAP	6	1	B200704	PR-6704-SPIN-UNI

Important Note: Primera products are protected by Intellectual Property Rights including UK and Community Unregistered Design Rights, UK and Community Registered Designs and UK Patents and Patent Applications.  
For further details or please contact Primera Ltd.

### Anti-Ligature Bedroom Lockset

Primary & Secondary Override  
(Excludes Cylinder)

**Material** | **Handle & Turn/Pull Dish:** Die-cast Mazak 5 handle. Electro-plated SSS finish.  
**Flat Backplate:** 3mm Chamfered mild steel. Electro-plated SSS finish.  
**Roller Bolt Deadlock:** Predominantly manufactured from steel.

**Fixings** | 6 lobe pin-torx anti-tamper stainless steel security screws.

**Maintenance** | **Lubrication:** Premkem white grease with PTFE (Not the Cylinder).  
**Cleaning:** Proprietary baby oil and soft cloth.

**Standards** |

ITEM	PART NUMBER	PRIMERA CODE	DHF T001: 2013
2	B411283	PR-5-B411283	PASSED A4
3	B310341	PR-4-TTAP-SSS	PASSED A4
4	B310103	PR-4-729	PASSED A4
5	B310102	PR-4-728TP	PASSED A4

**Certifications** |

CE: Lockcase:	BS/EN 12209:2013	(British Standards Institute)
Fire Testing:	BS/EN 1634-1	(Exova Warrington Fire)

Important Note: Primera products are protected by Intellectual Property Rights including UK and Community Unregistered Design Rights, UK and Community Registered Designs and UK Patents and Patent Applications.  
For further details or please contact Primera Ltd.