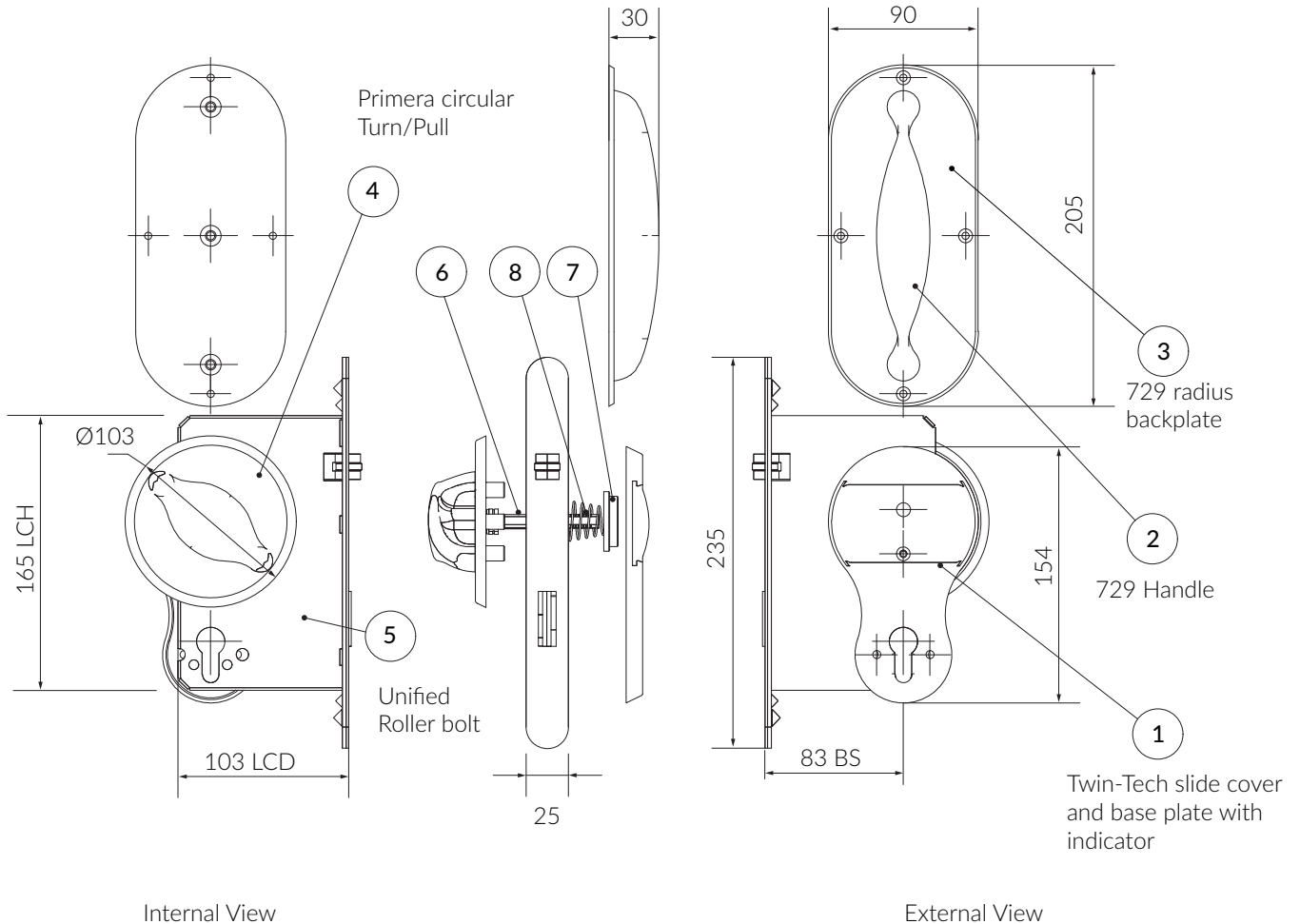


### Anti-Ligature Bathroom Indicator Lockset

Primary & Secondary Override  
(Excludes Cylinder)



LCD = Lockcase Depth  
LCH = Lockcase Height  
BS = Backset

#### PARTS LIST

ITEM	QTY	PART NUMBER	PRIMERA CODE	ITEM	QTY	PART NUMBER	PRIMERA CODE
1	1	B310342	PR-4-TTAI-SSS	5	1	B200130	PR-6130RBD
2	1	B310103	PR-4-729	6	1	B200704	PR-6704-SPIN-UNI
3	1	B411102	PR-5-B411202	7	1	B500309	PR-5-B500309
4	1	B310102	PR-4-728TP	8	1	B500301	PR-5-B500301

Note: Items 2 & 3 when together becomes PR-4-729A

Important Note: Primera products are protected by Intellectual Property Rights including UK and Community Unregistered Design Rights, UK and Community Registered Designs and UK Patents and Patent Applications.  
For further details please contact Primera Ltd.

### Anti-Ligature Bathroom Indicator Lockset

Primary & Secondary Override  
(Excludes Cylinder)

- Material** | **Handle & Turn/Pull Dish:** Die-cast Mazak 5 handle. Electro-plated SSS finish.  
**Flat Backplate:** 3mm Chamfered mild steel. Electro-plated SSS finish.  
**Roller Bolt Deadlock:** Predominantly manufactured from steel.
- Fixings** | 6 lobe pin-torx anti-tamper stainless steel security screws.
- Maintenance** | **Lubrication:** RS High Performance Dry Lubricant Primera Code B700241. (Not the Cylinder).  
**Cleaning:** Proprietary baby oil and soft cloth.

**Standards** |

ITEM	PART NUMBER	PRIMERA CODE	DHF T001: 2013
1	B310342	PR-4-TTAI-SSS	PASSED A4
2	B310103	PR-4-729	PASSED A4
3	B411102	PR-5-B411208	PASSED A4
4	B310102	PR-4-728TP	PASSED A4

**Certifications** |

CE: Lockcase:	BS/EN 12209:2013	(British Standards Institute)
Fire Testing:	BS/EN 1634-1	(Exova Warrington Fire)

Important Note: Primera products are protected by Intellectual Property Rights including UK and Community Unregistered Design Rights, UK and Community Registered Designs and UK Patents and Patent Applications.  
For further details please contact Primera Ltd.