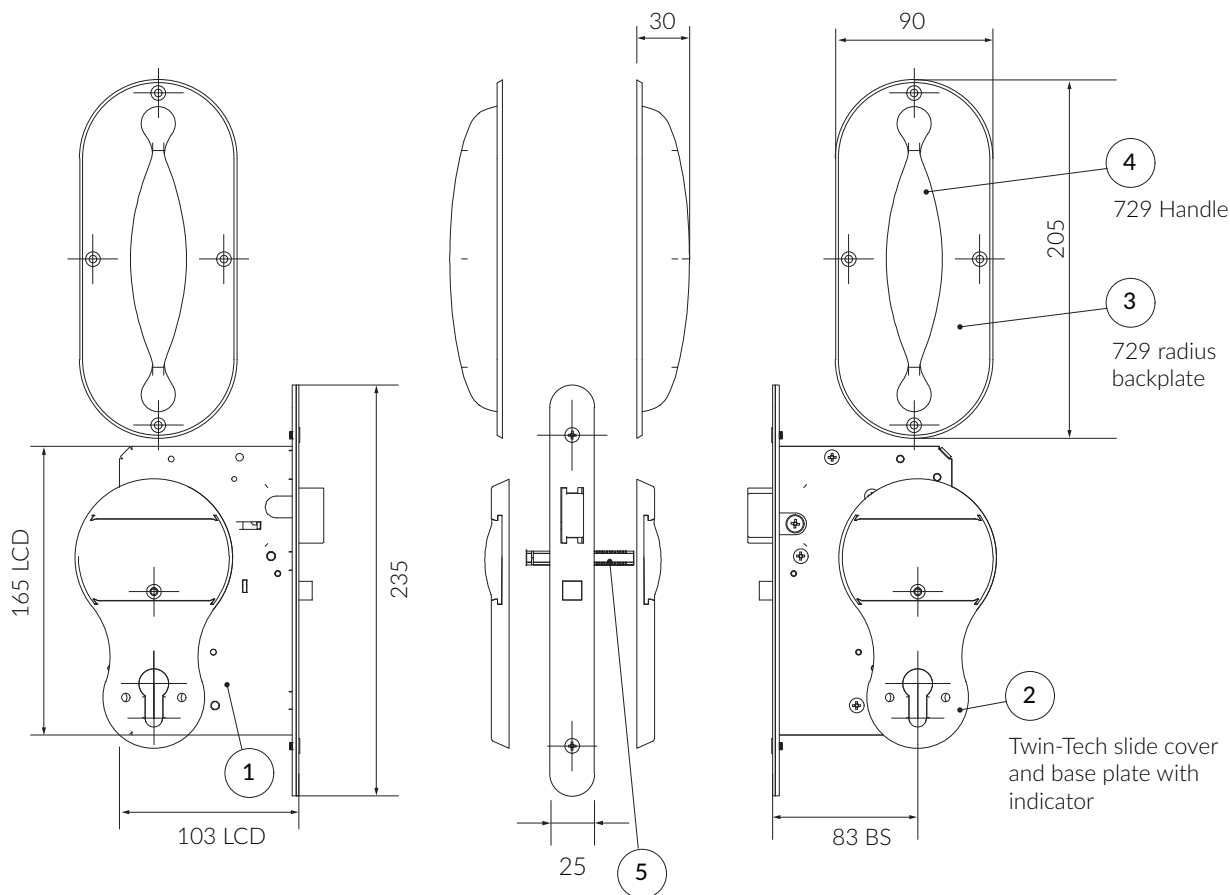


### Anti-Ligature Auto Locking Nightlatch Lockset

Primary & Secondary Override  
(Excludes Cylinder)



Internal View

External View

LCD = Lockcase Depth  
LCH = Lockcase Height  
BS = Backset

#### PARTS LIST

ITEM	QTY	PART NUMBER	PRIMERA CODE	ITEM	QTY	PART NUMBER	PRIMERA CODE
1	1	B200136	PR-6134ALNL-NHB	4	2	B310103	PR-4-729
2	2	B310341	PR-4-TTAP	5	1	B200704	PR-6704-SPIN-UNI
3	2	B411202	PR-5-B411202				

Note: Items 4 & 5 when together becomes PR-4-729A

Important Note: Primera products are protected by Intellectual Property Rights including UK and Community Unregistered Design Rights, UK and Community Registered Designs and UK Patents and Patent Applications.  
For further details please contact Primera Ltd.

### Anti-Ligature Auto Locking Nightlatch Lockset

Primary & Secondary Override  
(Excludes Cylinder)

#### Material

**Handle:** Die-cast Mazak 5 handle. Electro-plated SSS finish.  
**Flat Backplate:** 3mm Chamfered mild steel. Electro-plated SSS finish.  
**Nightlatch:** Predominantly manufactured from steel.

#### Fixings

6 lobe pin-torx anti-tamper stainless steel security screws.

#### Maintenance

**Lubrication:** RS High Performance Dry Lubricant Primera Code B700241. (Not the Cylinder).  
**Cleaning:** Proprietary baby oil and soft cloth.

#### Standards

ITEM	PART NUMBER	PRIMERA CODE	DHF T001: 2013
1	B310341	PR-4-TTAP-SSS	PASSED A4
2	B310103	PR-4-729	PASSED A4
3	B411102	PR-5-B411202	PASSED A4

#### Certifications

CE: Lockcase:	BS/EN 12209:2013	(British Standards Institute)
Fire Testing:	BS/EN 1634-1	(Exova Warrington Fire)

Important Note: Primera products are protected by Intellectual Property Rights including UK and Community Unregistered Design Rights, UK and Community Registered Designs and UK Patents and Patent Applications.  
For further details please contact Primera Ltd.