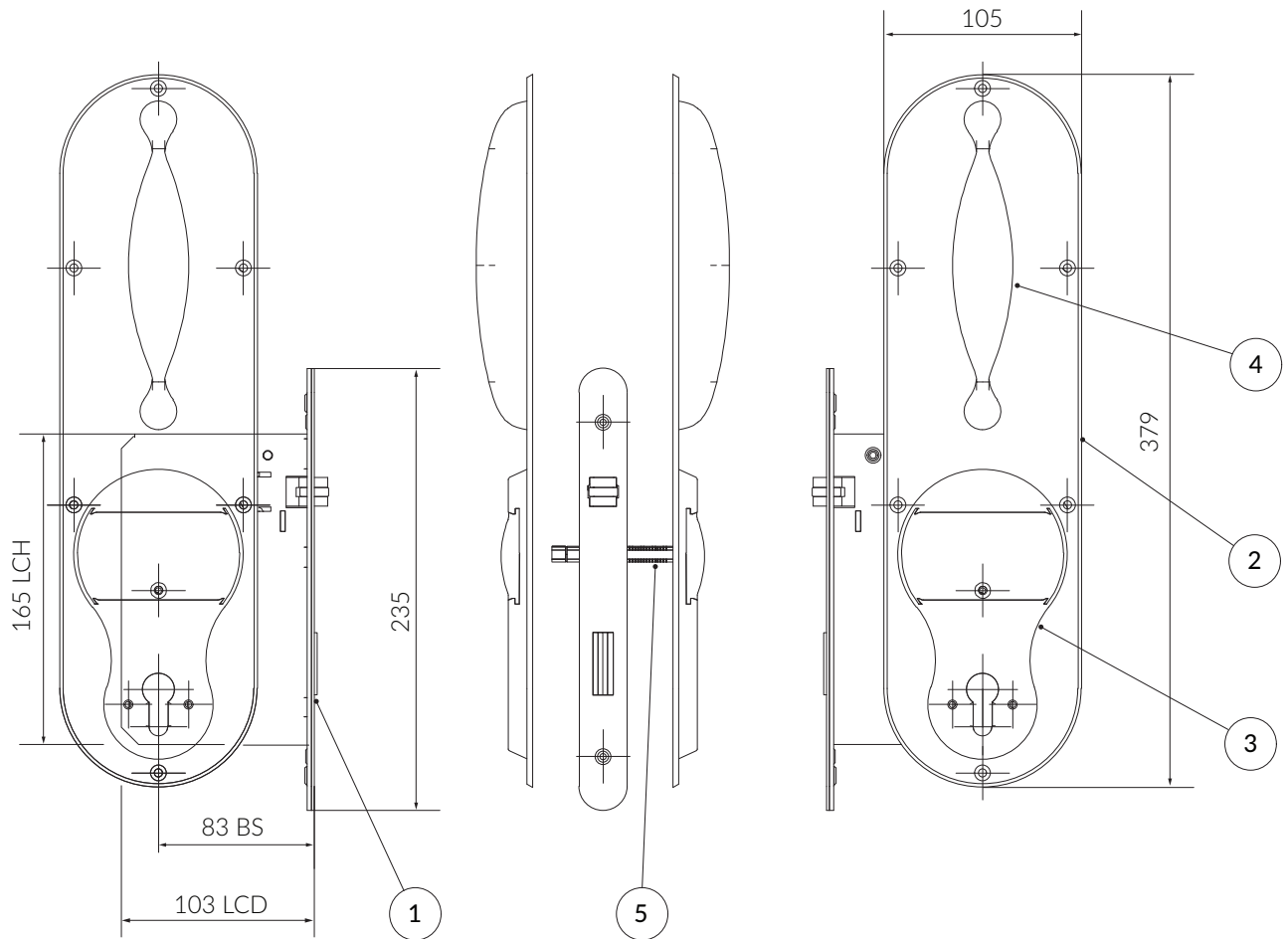


Anti-Ligature Communal Lockset

Primary & Secondary Override
(Excludes Cylinder)



Internal View

External View

PARTS LIST

ITEM	QTY	PART NUMBER	PRIMERA CODE	ITEM	QTY	PART NUMBER	PRIMERA CODE
1	1	B200130	PR-6130RBD	4	2	B310103	PR-4-729
2	2	B411102	PR-5-B411202	5	1	B200704	PR-6704-SPIN-UNI
3	2	B310341	PR-4-TTAP				

Important Note: Primera products are protected by Intellectual Property Rights including UK and Community Unregistered Design Rights, UK and Community Registered Designs and UK Patents and Patent Applications.
For further details or please contact Primera Ltd.

Anti-Ligature Communal Lockset

Primary & Secondary Override
(Excludes Cylinder)

- Material** | **Handle:** Die-cast Mazak 5 handle. Electro-plated SSS finish.
Flat Backplate: 3mm Chamfered mild steel. Electro-plated SSS finish.
Roller Bolt Deadlock: Predominantly manufactured from steel.
- Fixings** | 6 lobe pin-torx anti-tamper stainless steel security screws.
- Maintenance** | **Lubrication:** Premkem white grease with PTFE (Not the Cylinder).
Cleaning: Proprietary baby oil and soft cloth.

Standards |

ITEM	PART NUMBER	PRIMERA CODE	DHF T001: 2013
2	B411283	PR-5-B411283	PASSED A4
3	B310341	PR-4-TTAP-SSS	PASSED A4
4	B310103	PR-4-729	PASSED A4

Certifications |

CE: Lockcase:	BS/EN 12209:2013	(British Standards Institute)
Fire Testing:	BS/EN 1634-1	(Exova Warrington Fire)

Important Note: Primera products are protected by Intellectual Property Rights including UK and Community Unregistered Design Rights, UK and Community Registered Designs and UK Patents and Patent Applications.
For further details or please contact Primera Ltd.