

SAFEHINGE PRIMERA[®]

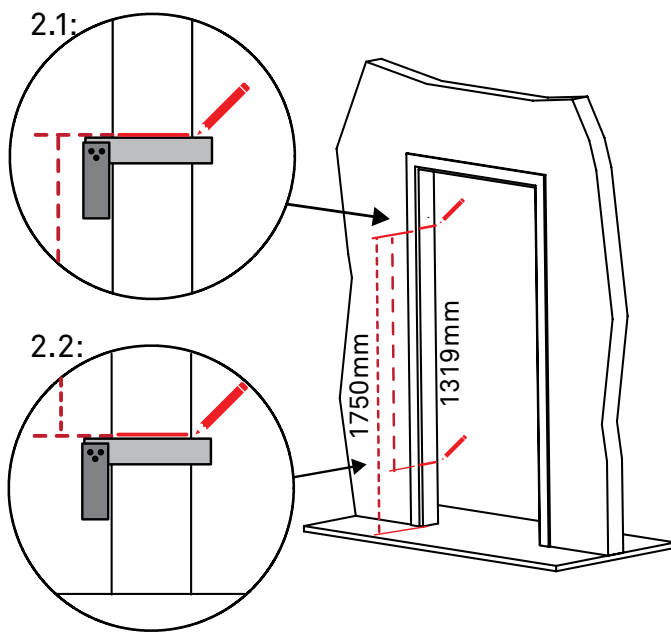
EN-SUITE INSTALLATION INSTRUCTIONS

SII002, Revision 2

Step 1 – Prepare the frame

Make sure both frame jambs are flat. Remove any stops or pack out where rebated stops have been used. The pivots require a flat surface to mount to.

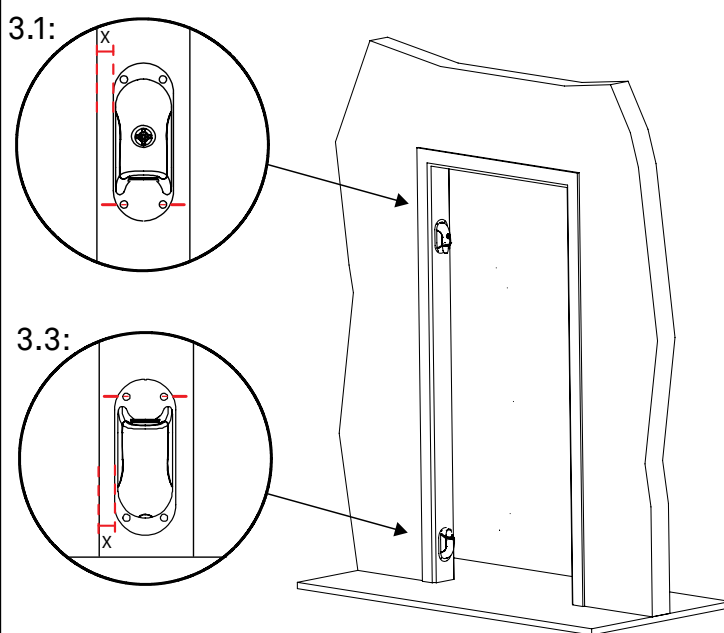
Step 2 – Mark height lines



2.1:
Mark a horizontal line 1750mm up from the floor on the face of the frame jamb. Use a square to ensure the line is perpendicular to the frame face as shown.

2.2:
Mark a horizontal line 1319mm down from the top line on the face of the frame jamb. Use a square to ensure the line is perpendicular to the frame face as shown.

Step 3 – Pivot placement

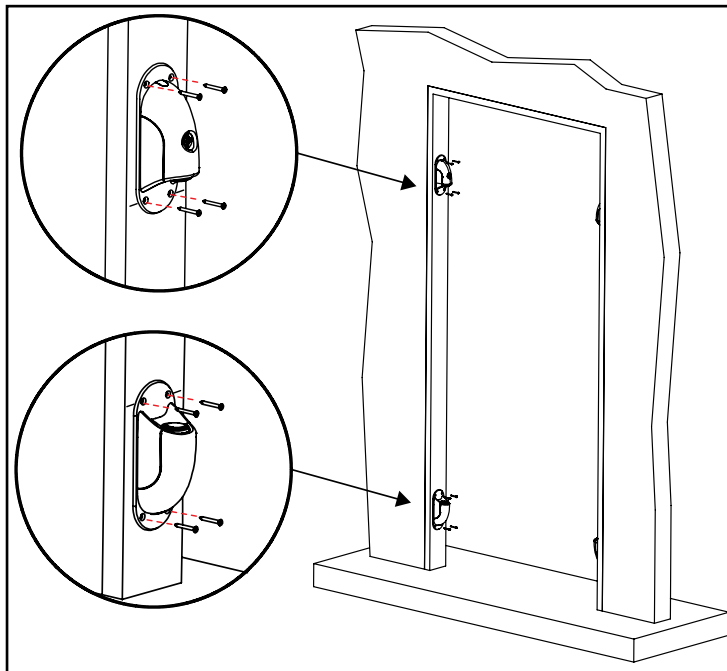


3.1:
Offer the top pivot up to the top line marked in step 2. Centre the bottom fixing holes with the horizontal line as shown.

3.2:
Check the “X” dimension is consistent from the bottom of the pivot mounting plate to the top. Mark the fixing hole locations.

3.3:
Repeat this process with the bottom pivot this time lining up the top holes. Check that the pivots are in-line with each other by measuring the “X” dimension. This should be the same for top and bottom pivots.

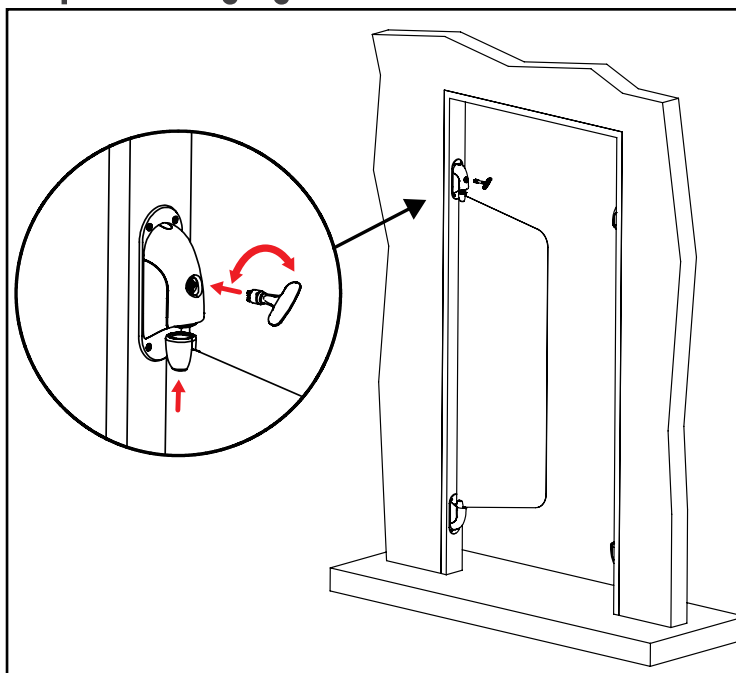
Step 4 – Fixing the pivots



4.1:
Pilot the holes marked in step 3 with a 2mm pilot drill. Fix each pivot with the supplied fixings.

DO NOT USE IMPACT DRIVER ON FIXINGS.

Step 5 – Hanging the leafs



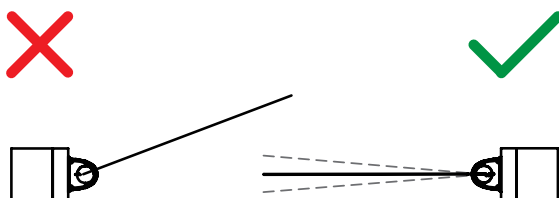
4.1:
To hang the door leaf the internal magnet needs to be activated.

Offer up a door leaf to the top pivot. While holding the leaf up to the pivot so that the two metal parts are touching, insert a 'lifeline' key into the pivot as shown.

Turn the key clockwise or anti-clockwise to activated the magnet. An audible "Click" sound will be heard when the magnet activates. The leaf will then be retained.

Locate the bottom of the leaf on to the bottom pivot.

Step 6 – Checks and trouble shooting



5.1:
Check the operation of the pivots by opening each door to 110 degrees. The doors should return smoothly back to within 5 degrees of the centre position.

Problem	Check
Door Leaf does not return to centre	Check pivot spacing. The distance between top and bottom pivot fixing holes should be 1319mm
The door leaf seems too tight/loose	Check the leaf tension. Measure the deflection of the leaf at the centre. This should be between 30-50mm.
Key jamming or not activating magnet	Ensure that the key is firmly pressed in to the keyway and is perfectly perpendicular to the pivot while turning. Try turn both directions with the leaf offered up to the pivot. If the problem persists please contact the Safehinge Primera technical team