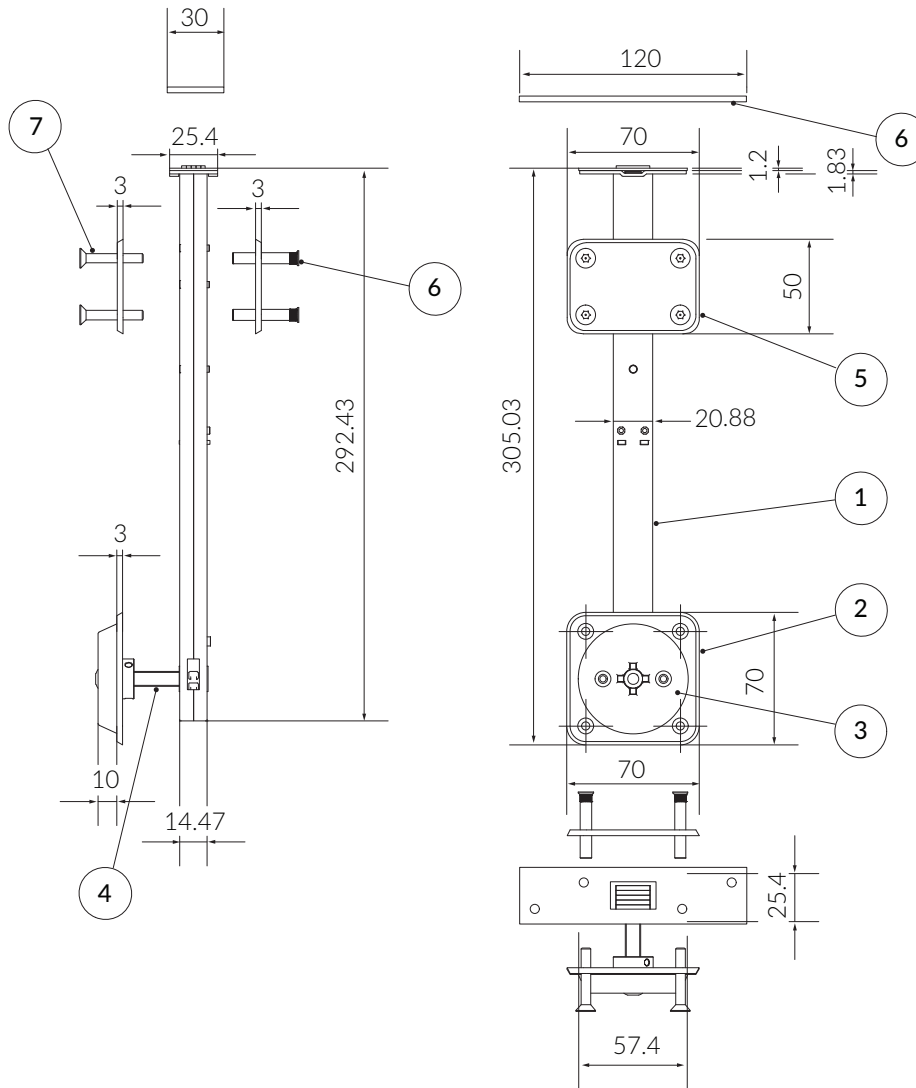


### Rhino Mortice Bolt with Reinforcing Kit - Life-Line



#### PARTS LIST

ITEM	QTY	PART NUMBER	DESCRIPTION
1	1	B200905	Tubular Mortice Bolt Extended Throw (including face plate)
2	1	B500142	70 x 70mm XT Escutcheon Plate
3	1	B310501	LifeLine Assembly for Lockset
4	1	B200707	XT Spindle c-w Grub Screw
5	2	B500141	70 x 50mm TMB Reinforcing Plate BB
6	4	B100231	M4 x 35 Plain head c/sunk knurled barrel nut
7	4	B100103	M4 x 30mm 6 lobe pin c/sunk mach screw
8	1	B200602	Strike Plate for TMB 120mm x 30mm

Important Note: Primera products are protected by Intellectual Property Rights including UK and Community Unregistered Design Rights, UK and Community Registered Designs and UK Patents and Patent Applications.  
For further details please contact Primera Ltd.

### Rhino Mortice Bolt with Reinforcing Kit - Life-Line

**Material** | **Life-Line Mechanism:** Die-cast Mazak 5 handle. Electro-plated SSS finish.  
**Backplate & Reinforcing Kit:** 3mm Chamfered mild steel. Electro-plated SSS finish.  
**Deadlock:** Predominantly manufactured from steel.

**Fixings** | 6 lobe pin-torx anti-tamper stainless steel security screws.

**Maintenance** | **Lubrication:** RS High Performance Dry Lubricant, RS 251-3794  
**Cleaning:** Proprietary baby oil and soft cloth.

**Standards** |

ITEM	PART NUMBER	PRIMERA CODE	DHF T001: 2013
1	B310501	LL-Assembly	PASSED A4

**Certifications** |

CE: Lockcase:	BS/EN 12209:2013	(British Standards Institute)
Fire Testing:	BS/EN 1634-1	(Exova Warrington Fire)

Important Note: Primera products are protected by Intellectual Property Rights including UK and Community Unregistered Design Rights, UK and Community Registered Designs and UK Patents and Patent Applications.  
 For further details please contact Primera Ltd.