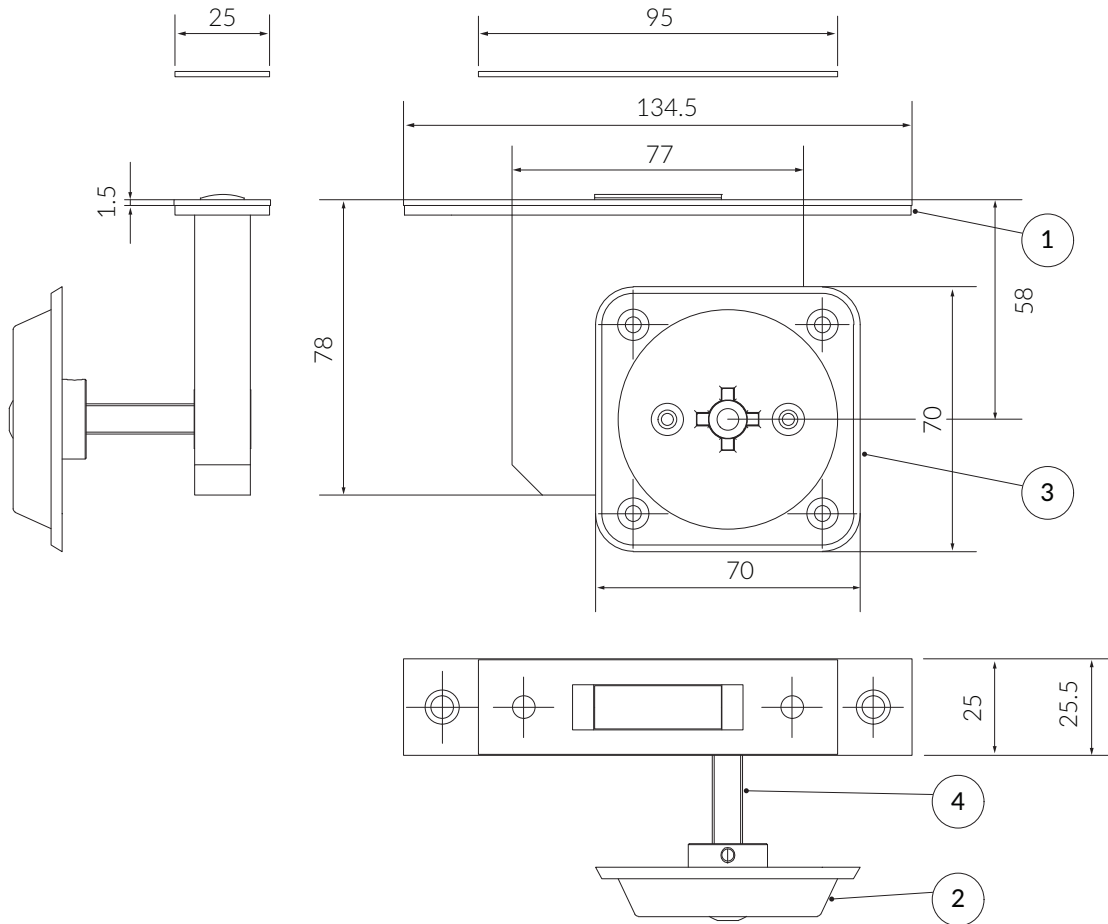


### Junior Rhino with Life-Line



#### PARTS LIST

ITEM	QTY	PART NUMBER	PRIMERA CODE	ITEM	QTY	PART NUMBER	PRIMERA CODE
1	1	B200130	PR-6308-BR-LL	3	1	B500142	-
2	1	B310501	-	4	1	B200707	-

Note: Items 1 to 4 together become PR-6308-BR-LL

Important Note: Primera products are protected by Intellectual Property Rights including UK and Community Unregistered Design Rights, UK and Community Registered Designs and UK Patents and Patent Applications.  
For further details please contact Primera Ltd.

### Junior Rhino with Life-Line

**Material** | **Life-Line Mechanism:** Die-cast Mazak 5 handle. Electro-plated SSS finish.  
**Backplate:** 3mm Chamfered mild steel. Electro-plated SSS finish.  
**Deadlock:** Predominantly manufactured from steel.

**Fixings** | 6 lobe pin-torx anti-tamper stainless steel security screws.

**Maintenance** | **Lubrication:** RS High Performance Dry Lubricant, RS 251-3794  
**Cleaning:** Proprietary baby oil and soft cloth.

**Standards** |

ITEM	PART NUMBER	PRIMERA CODE	DHF T001: 2013
1	B310501	LL-Assembly	PASSED A4

**Certifications** |

CE: Lockcase:	BS/EN 12209:2013	(British Standards Institute)
Fire Testing:	BS/EN 1634-1	(Exova Warrington Fire)

Important Note: Primera products are protected by Intellectual Property Rights including UK and Community Unregistered Design Rights, UK and Community Registered Designs and UK Patents and Patent Applications.  
 For further details please contact Primera Ltd.