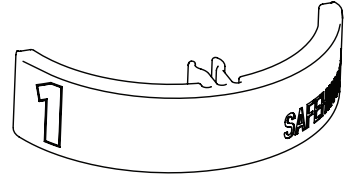


## Installation Instructions (MINI-1925)

MINI-1925 contains:	Qty
1) ALUmini assembly	1
2) 44 mm spacers	3
3) Screws	14

up to 44 mm doors

3x included as standard.



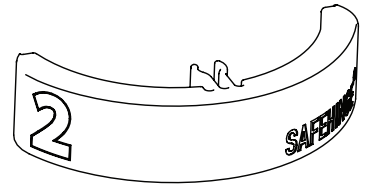
### 1. Door thickness

**IMPORTANT**



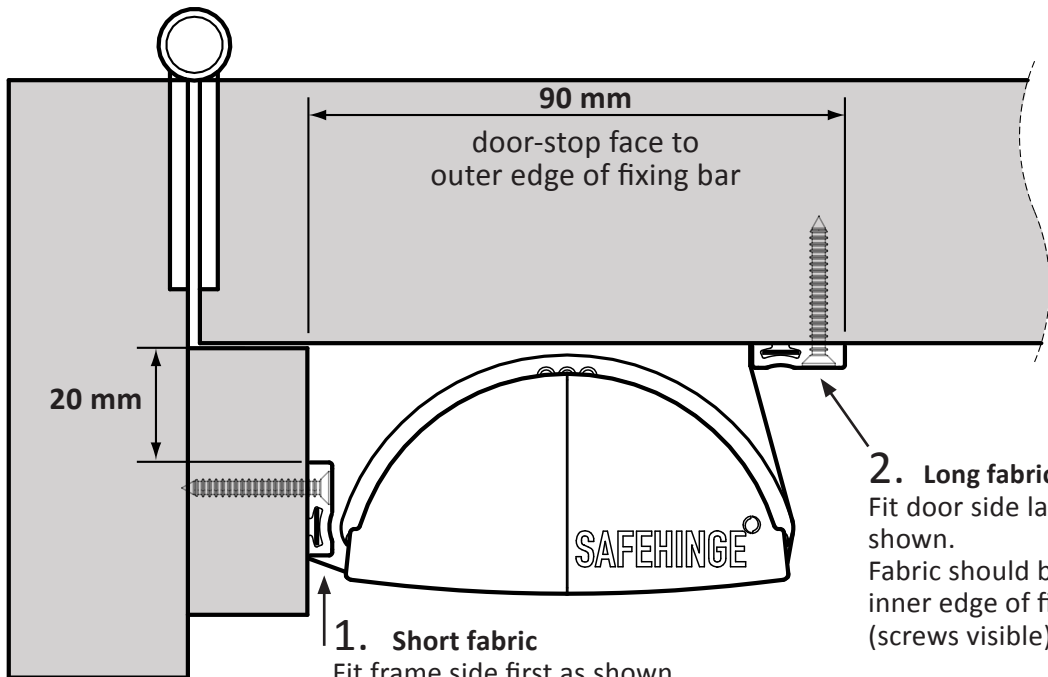
up to 54 mm doors

Not included as standard.  
 Order "MINI-PK2" for  
 3x Type-2 spacers



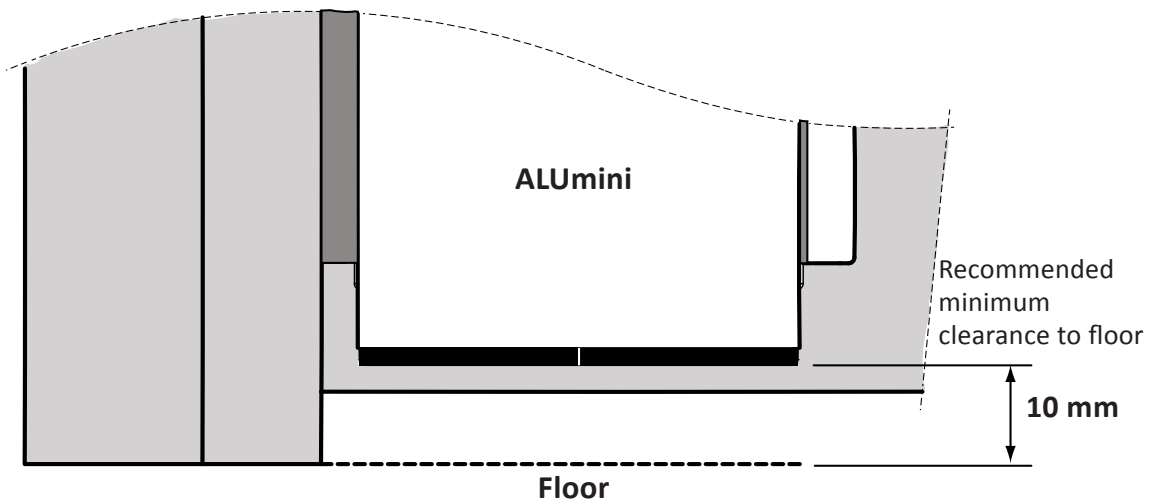
### 2. Fitting

door face to  
 inner edge  
 of fixing bar



**1. Short fabric**  
 Fit frame side first as shown.  
 Fabric should be on outer face  
 (conceals screws).

**2. Long fabric**  
 Fit door side last as  
 shown.  
 Fabric should be on  
 inner edge of fixing bar  
 (screws visible).



Floor

Recommended  
 minimum  
 clearance to floor

10 mm